

G

F

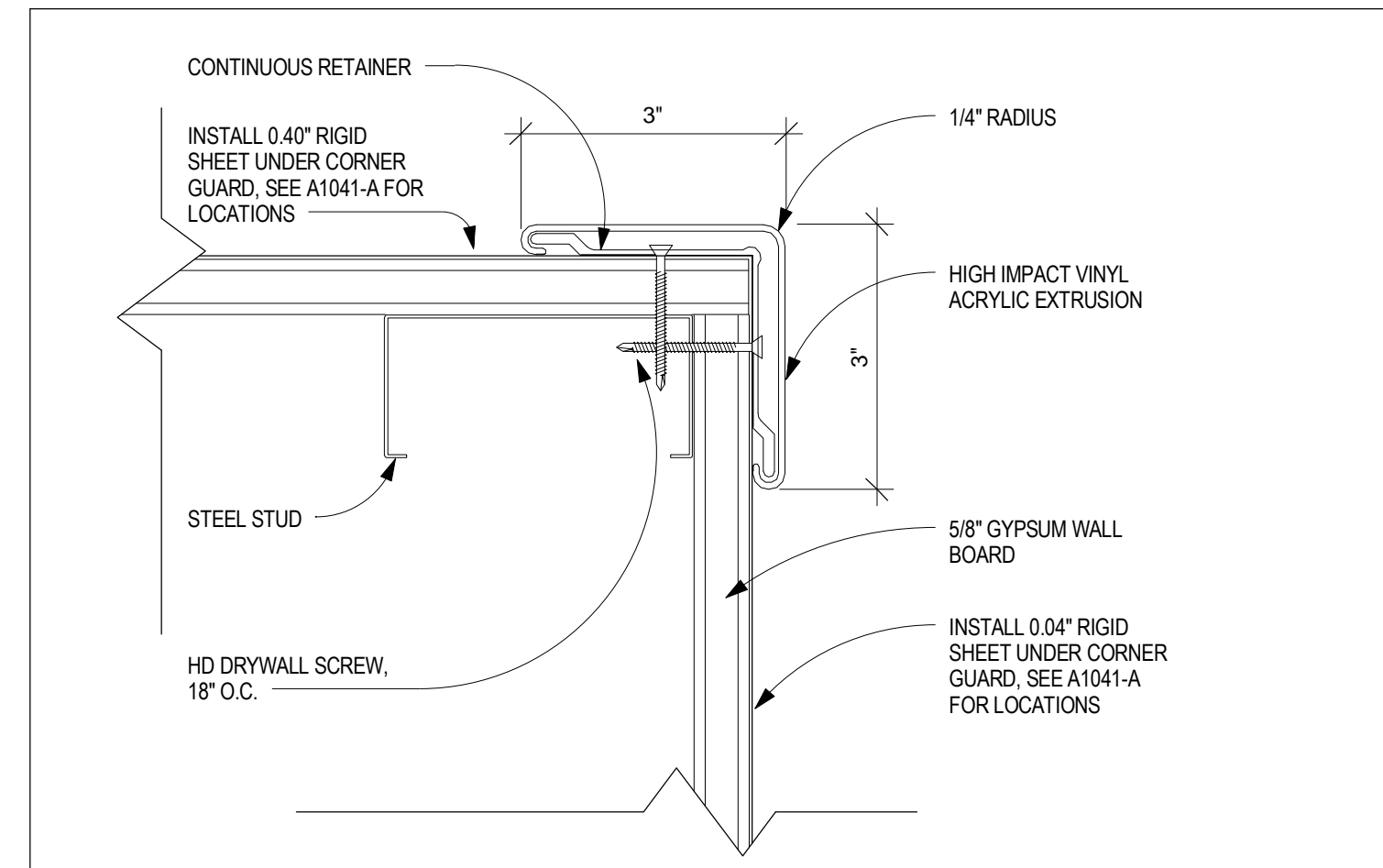
E

D

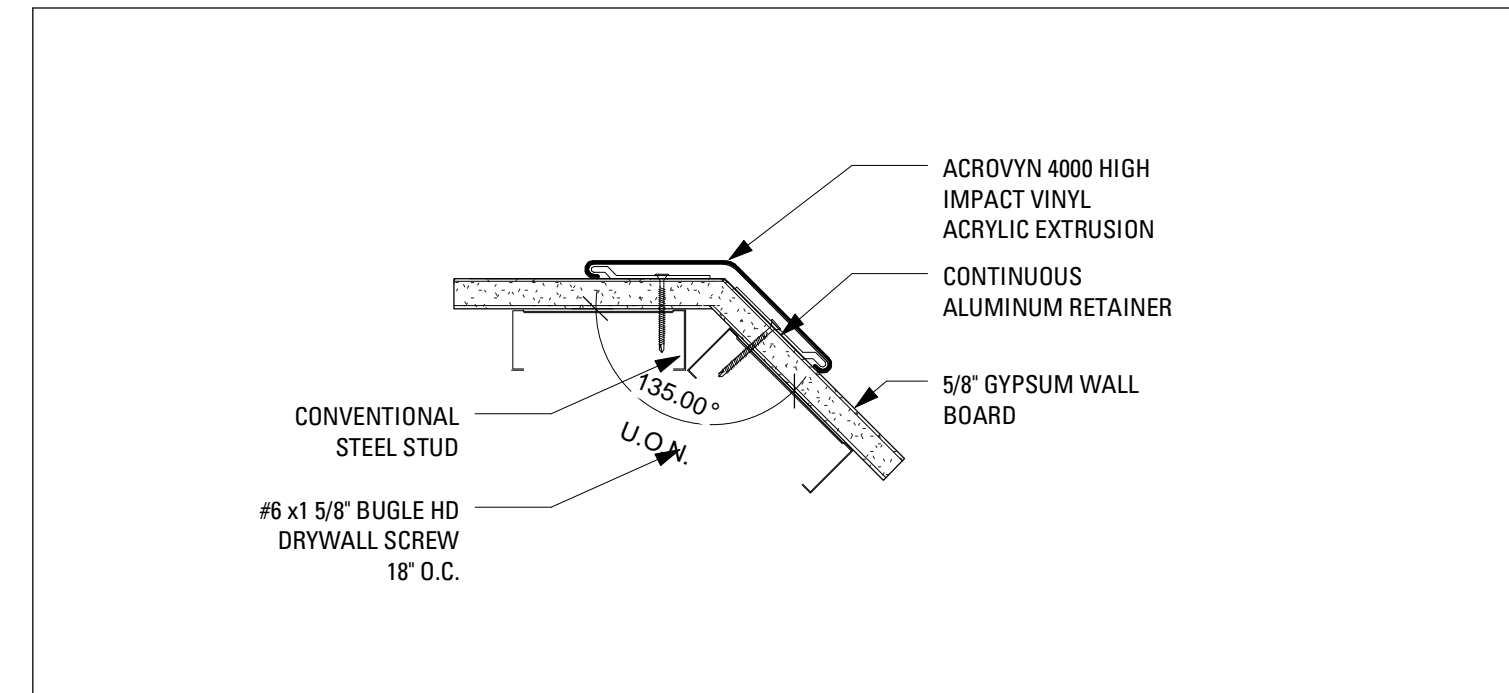
C

B

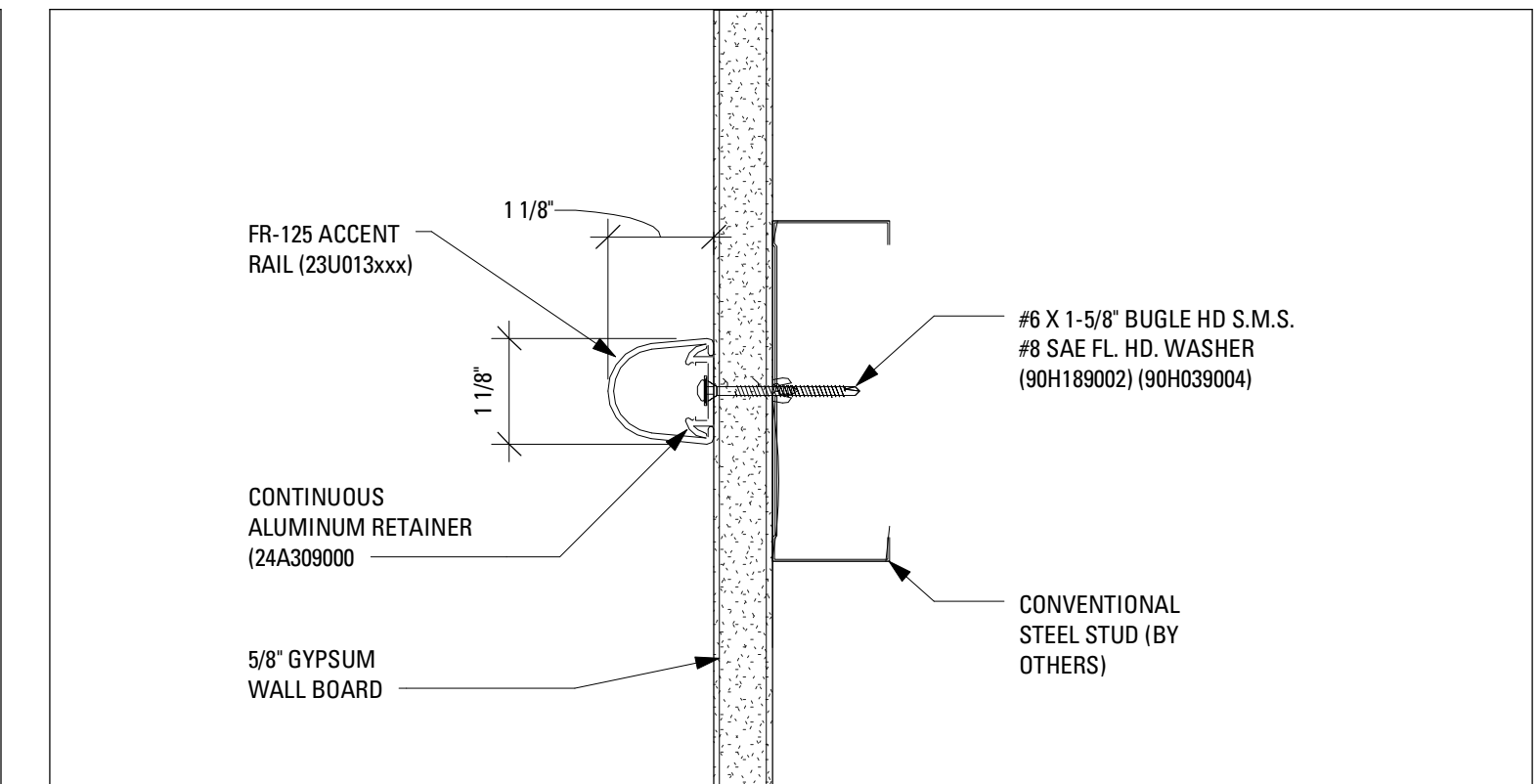
A



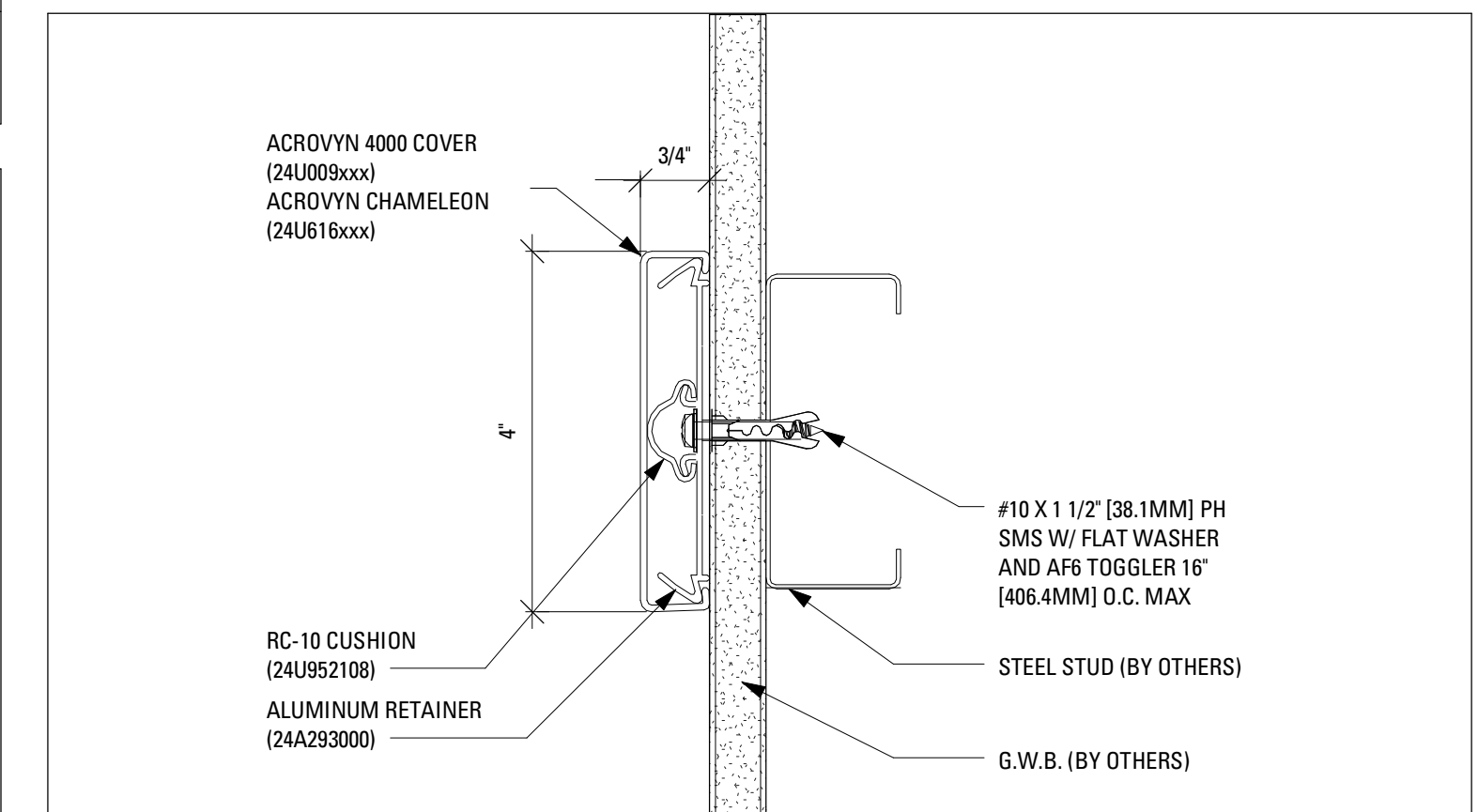
6 CG-1 - SURFACE MTD CORNER GUARD - 3"
6" = 1'-0"



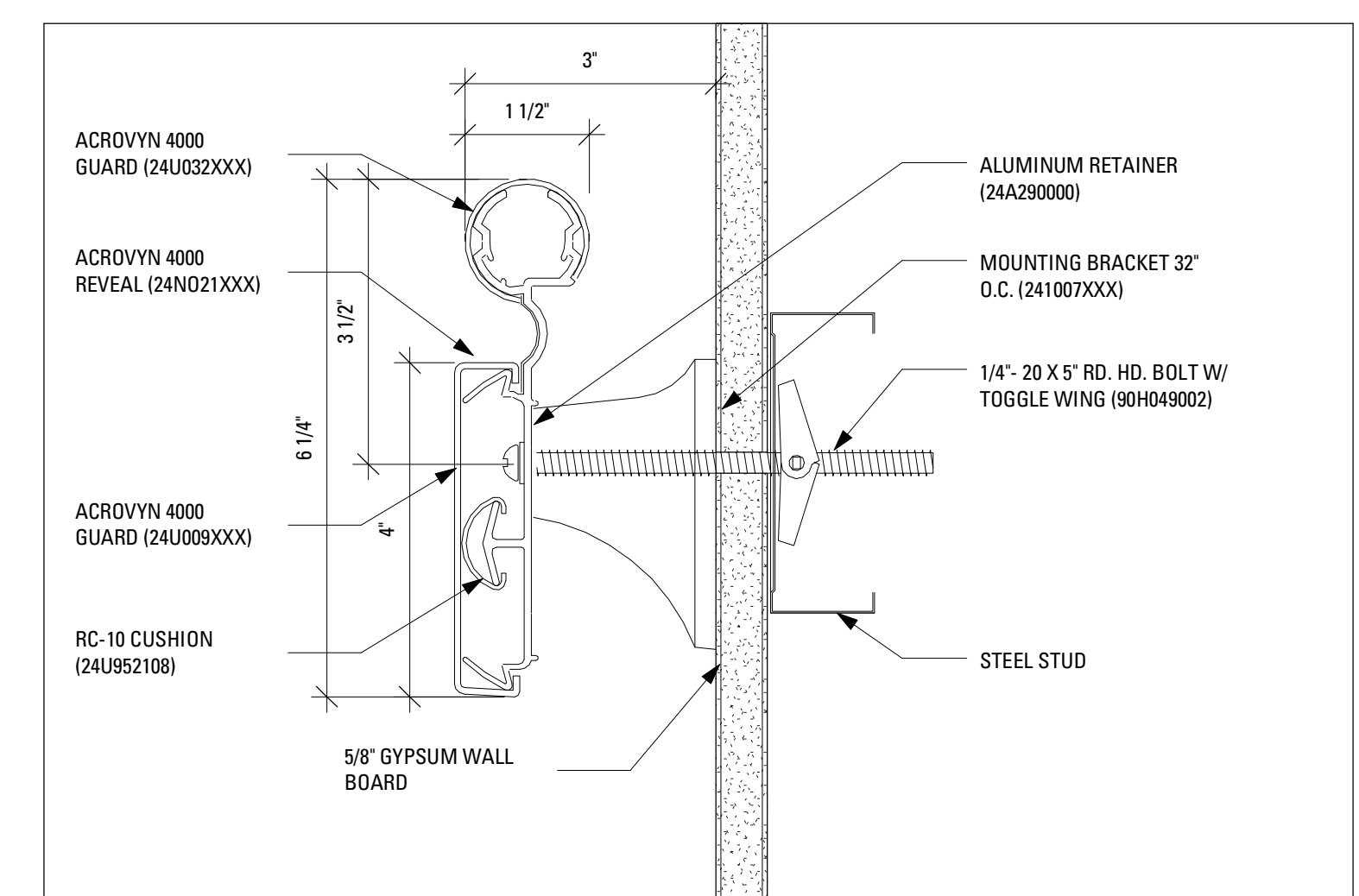
7 CG-2 SURFACE MOUNTED CORNER GUARD
3" = 1'-0"



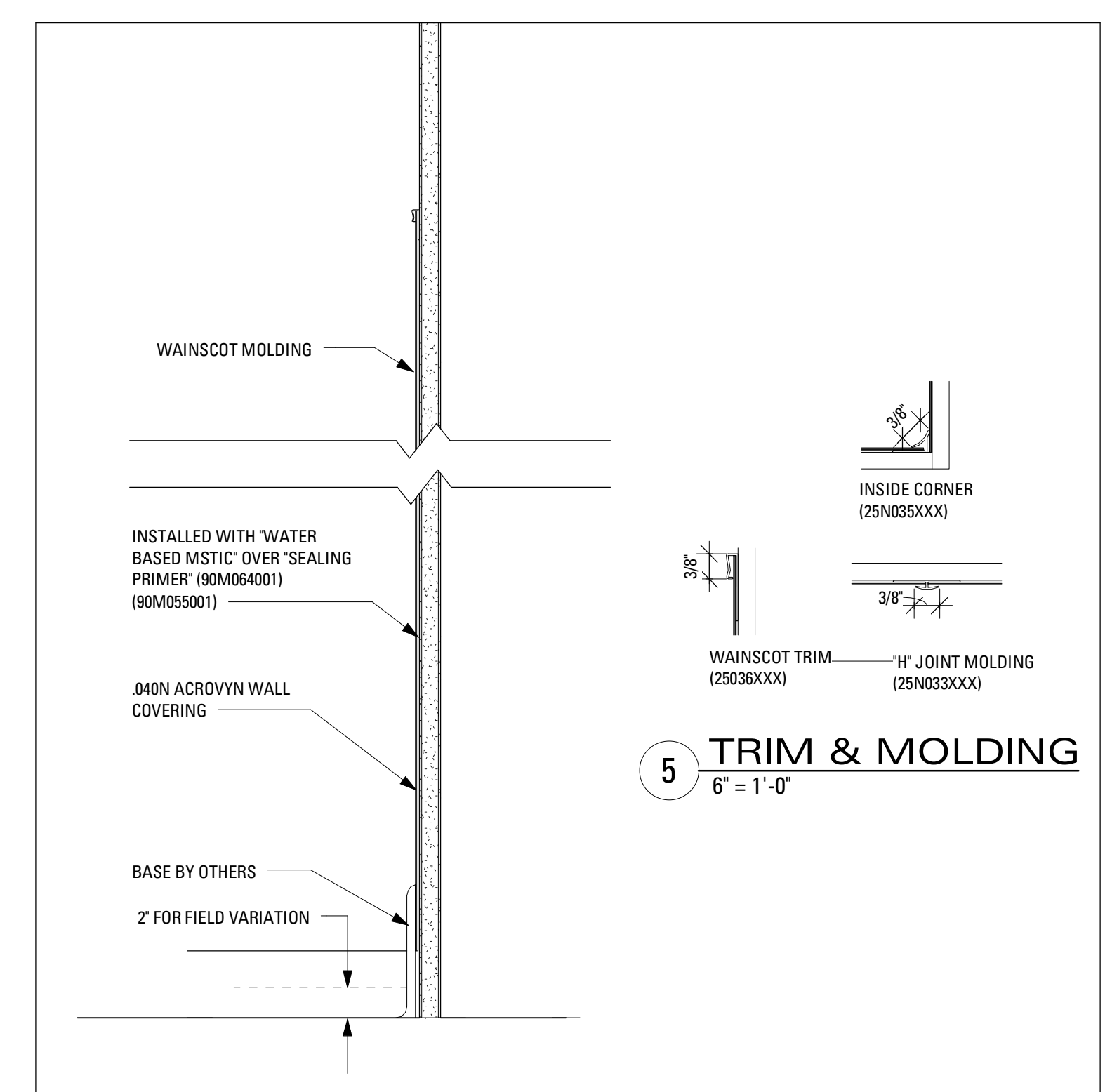
1 FR-125 ACROVYN WALL GUARD
6" = 1'-0"



2 SCR-40N ACROVYN 400 WALL GUARD
6" = 1'-0"



3 HRB-10C ACROVYN HANDRAIL & WALL GUARD
6" = 1'-0"



4 WALL PROTECTION DETAILS
3" = 1'-0"

5 TRIM & MOLDING
6" = 1'-0"



Steffian Bradley Architects
100 Summer Street
Boston, MA 02110
T 617.305.7100 F 617.305.7199
www.steffian.com



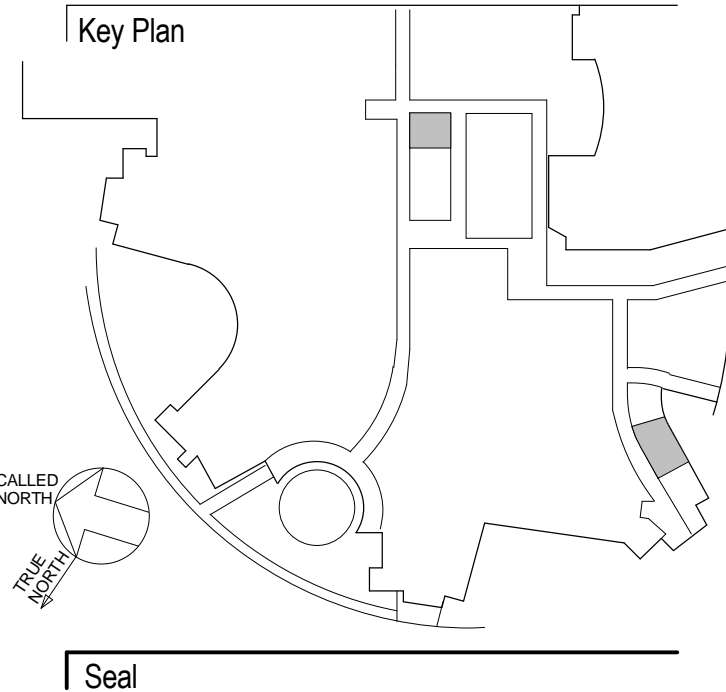
2

3

4

5

6



BAYSTATE MEDICAL CENTER CT-2 & X-RAY 2 RENOVATIONS
FRANKLIN MEDICAL CENTER
GROUND FLOOR MAIN HOSPITAL
164 HIGH STREET
GREENFIELD MA, 01301

Project Number 02164.000	Scale As indicated
Date December 8, 2011	Issue BID SET

Title
WALL PROTECTION & RCP DETAILS

A1102