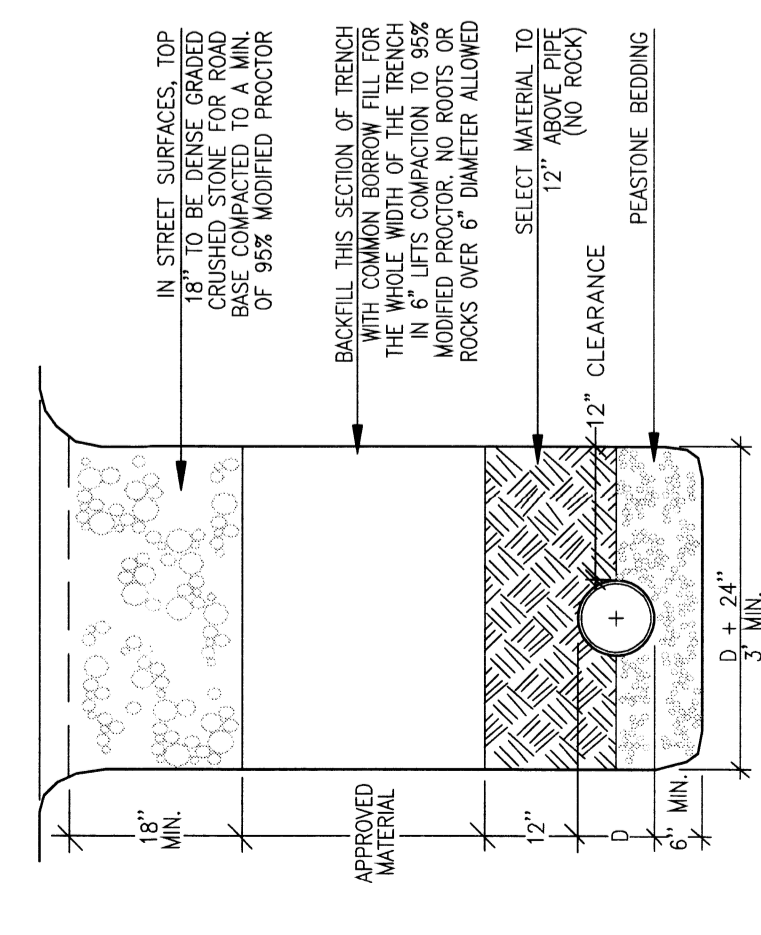


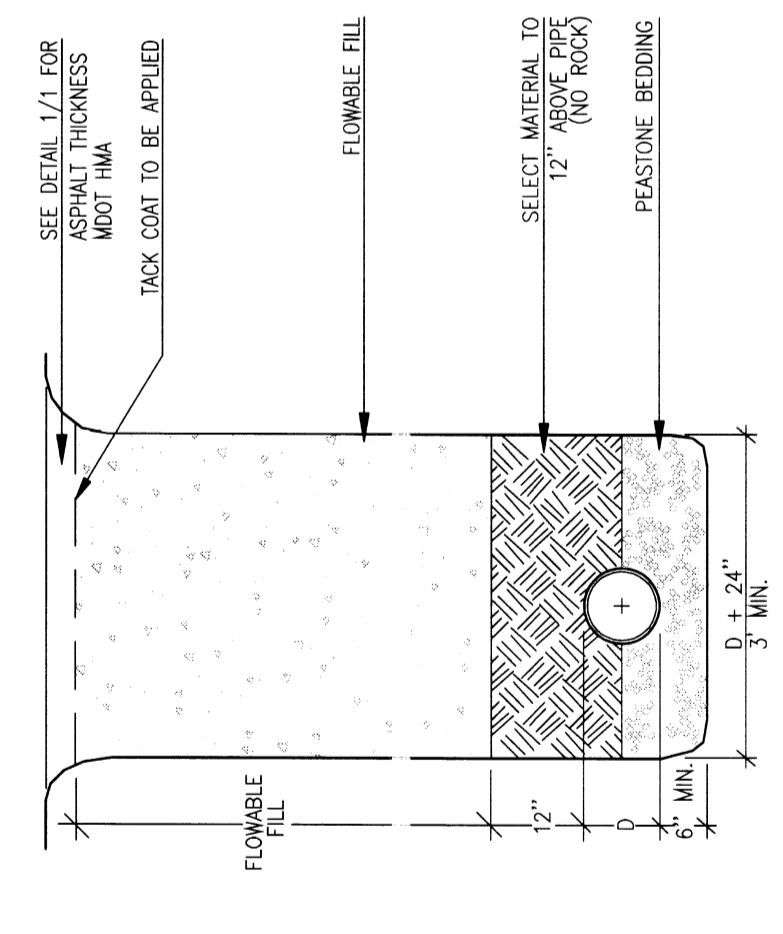
1 Bituminous Pavement Patch
Not to Scale

NOTES:
DISTURBED AREAS SHALL NOT EXTEND BEYOND THE SKIMCOAT.
ALL BITUMINOUS CONCRETE SHALL BE MPD TYPE 1-1.
THIS DETAIL SHALL BE USED FOR PAVEMENT RESTORATION AT ALL TRENCHES WITHIN BITUMINOUS PAVEMENT.

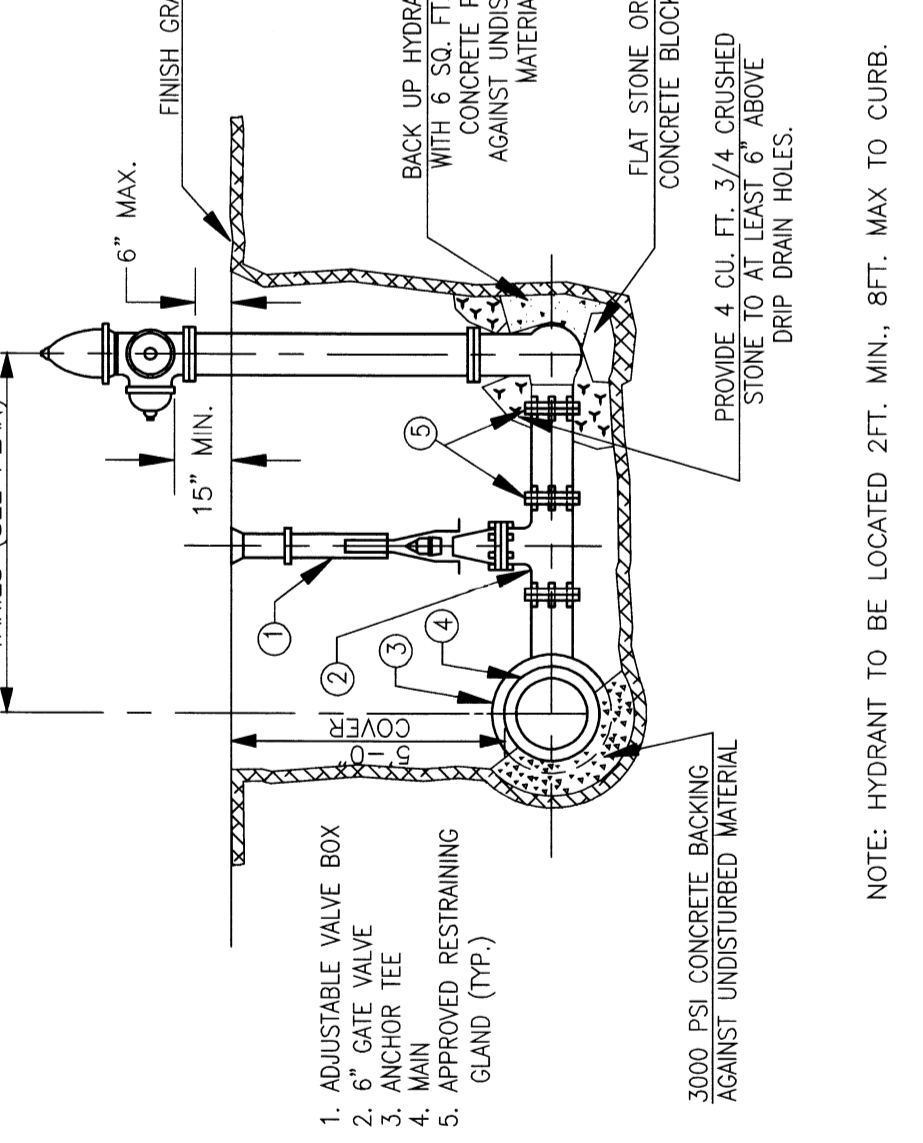


3 Trench Section
Not to Scale

IN STREET SURFACES, TOP 18\"/>

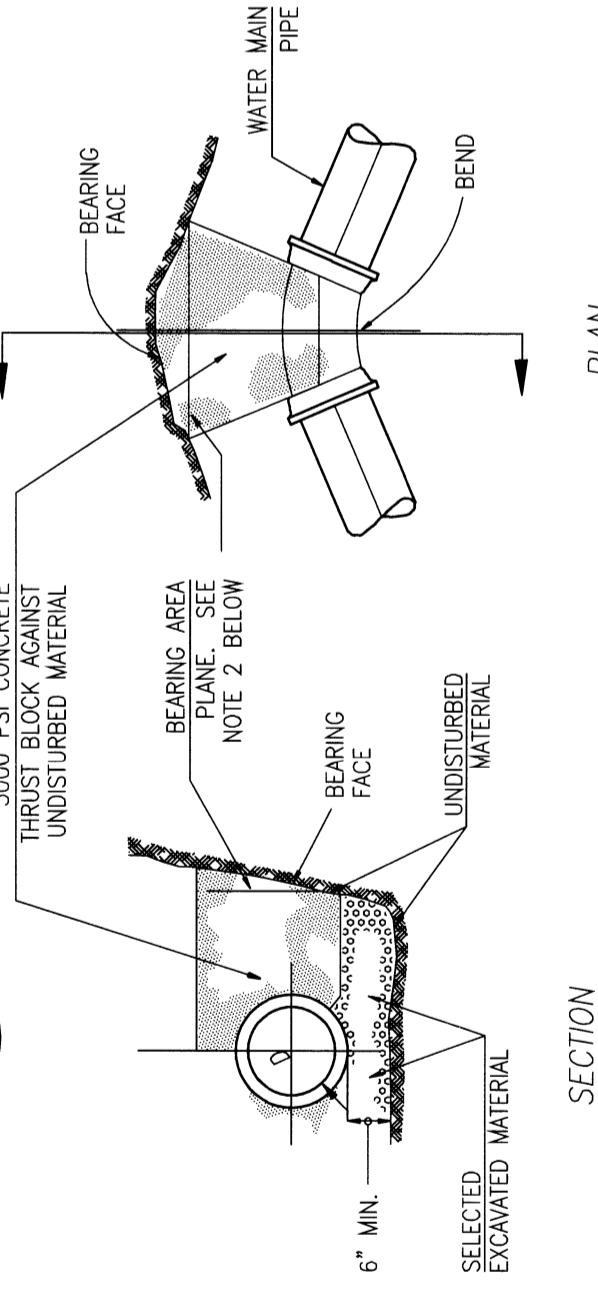


2 Trench w/ Flowable Fill
Not to Scale



4 Fire Hydrant Installation
Not to Scale

NOTE: HYDRANT TO BE LOCATED 2FT. MIN., 8FT. MAX TO CURB.



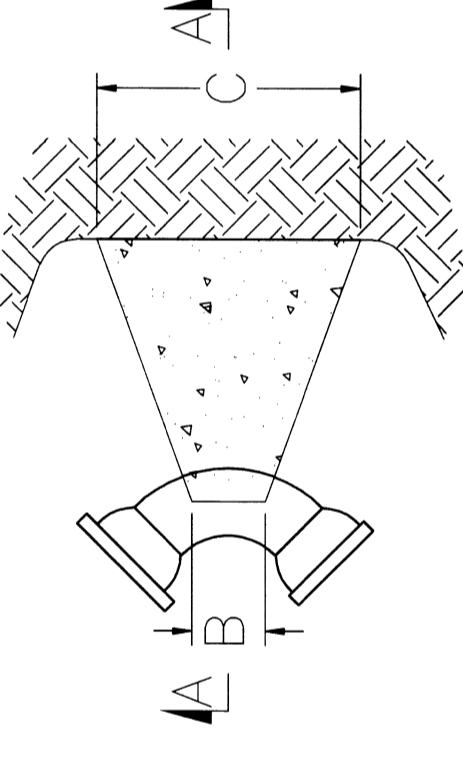
6 Thrust Block Detail
Not to Scale

NOTES:
1. CONCRETE THRUST BLOCKS AND ROCS SHALL BE REQUIRED ON ALL BENDS, TEES, ETC. BEDDING SHALL BE TO THE FIRST FULL LENGTH OF PIPE ON EACH SIDE OF THE FITTINGS TO BE RESTRAINED UNLESS CONDITIONS REQUIRE ADDITIONAL RESTRAINTS.
2. REQUIRED BEARING AREA TO BE CALCULATED ON VERTICAL PLANE 90 TO RADIAL PLANE PASSING THROUGH MIDPOINT OF BEND.
3. MINIMUM BEARING AREA- 2.0 SQ. FT.

TABLE OF DIMENSIONS - BENDS

BENDS	B	C	D	E	F	BENDS	B	C	D	E	F	
6" x 6" x 6"	11 1/4"	8"	15"	12"	24"	12"	6"	45"	8"	30"	12"	24"
6" x 8" x 8"	22 1/4"	8"	19"	12"	24"	13"	6"	90"	8"	30"	12"	24"
8" x 8" x 8"	11 1/4"	8"	20"	12"	24"	12"	6"	45"	8"	30"	12"	24"
8" x 12" x 12"	22 1/4"	8"	22"	12"	24"	17"	8"	90"	8"	38"	12"	24"
12" x 11 1/4" x 12"	11 1/4"	8"	30"	12"	24"	15"	12"	45"	8"	40"	12"	24"
12" x 22 1/4" x 12"	8"	35"	12"	24"	25"	12"	90"	8"	60"	12"	24"	52"

BENDS

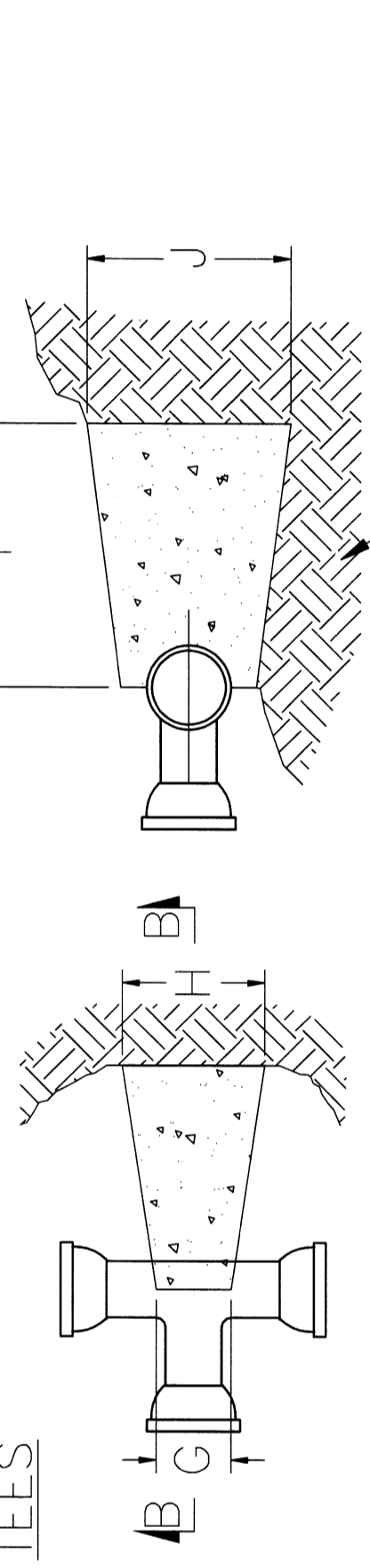


7 Thrust Block Sizing
Not to Scale

TABLE OF DIMENSIONS - TEES

TEES	G	H	I	J	TEES	G	H	I	J
6" x 6" x 6"	12"	24"	24"	18"	12" x 12" x 6"	12"	24"	24"	18"
8" x 8" x 8"	12"	24"	24"	18"	12" x 12" x 8"	12"	24"	24"	24"
12" x 12" x 12"	12"	24"	24"	24"	12" x 12" x 12"	12"	36"	24"	36"

TEES



8 Mill & Overlay Road Surface
Not to Scale

Suggested Construction Phasing

1. Install 6"x6" increaser, 6" 90° D.I. bend, associated 6" pipe and 6" gate valve on 8" water-main near the intersection of Homestead Avenue and Fairmont Street (with 8" valve closed).
2. Install 12"x6"x12" tee and 12 gate valve (closed) onto the previously described 6" gate valve and connect to the existing 12"x12" cross in Homestead Avenue, as shown on the plan.
3. Pressure test and disinfect all new sections of water-main. Open new 6" valve to restore water flow to existing 8" pipe.
4. Avenue and Fairmont Street to the proposed 12"x8"x12" tee, 8" valve and 12" valve at Mowry Street. 8" valve to be copped for future connection to the Mowry Street main by Holyoke Water Works.
5. Pressure test and disinfect all new sections of water-main.
6. Install 12" water-main from 12" valve at Mowry Street to the 12" valve, 12" tee, 12" increaser, 6" gate valve, and 6" D.I. pipe near Fairview Street. Close both 12" valves and disinfect the new main. Pressure test and disinfect new section of 12" water-main.
7. Install 12" water-main in Fairview Street, from the northern 12" valve, at the intersection of Fairview Street and Mowry Street to the 12" valve and 12" increaser and 12" valve near the Holyoke Soldier's Home valve pit. Pressure test and disinfect new section of 12" water-main.
8. Holyoke Water Works will complete the connection to the existing 8" water-main east of the Fairmont/Fairview Street intersection. The connections north and east of the 8" and 12" gate valves, near the Holyoke Soldier's Home valve pit, shall be completed by Rybak's as part of internal building connections.

The Berkshire Design Group, Inc.
Landscape Architecture
Civil Engineering
Land Surveying

4 Allen Place, Northampton, Massachusetts 01060
(413) 582-7000 • FAX (413) 582-7065
Email: bdg@berkshiredesign.com
Web: <http://www.berkshiredesign.com>

The Agency is not intended nor shall it be used for construction purposes unless the signed professional seal of a registered landscape architect, civil engineer or land surveyor employed by The Berkshire Design Group, Inc. is affixed above.

Do not scale drawing for quantity take-offs or construction. Use written dimensions only. Dimensions are in accordance with the Berkshire Design Group, Inc. is affixed above.

© Copyright The Berkshire Design Group, Inc. All rights reserved. No part of this drawing may be reproduced or transmitted in any form or by any means without the written consent of The Berkshire Design Group, Inc.

BID SET

Holyoke Soldier's Home
Notes & Details

Revisions

Date:	May 13, 2011	Sheet Number	U.3
Scale:	As Noted	Drawn By:	EIM
Checked By:	MRD		

7/06/2011 4" DOMESTIC @ BLDG TO 6" DOMESTIC