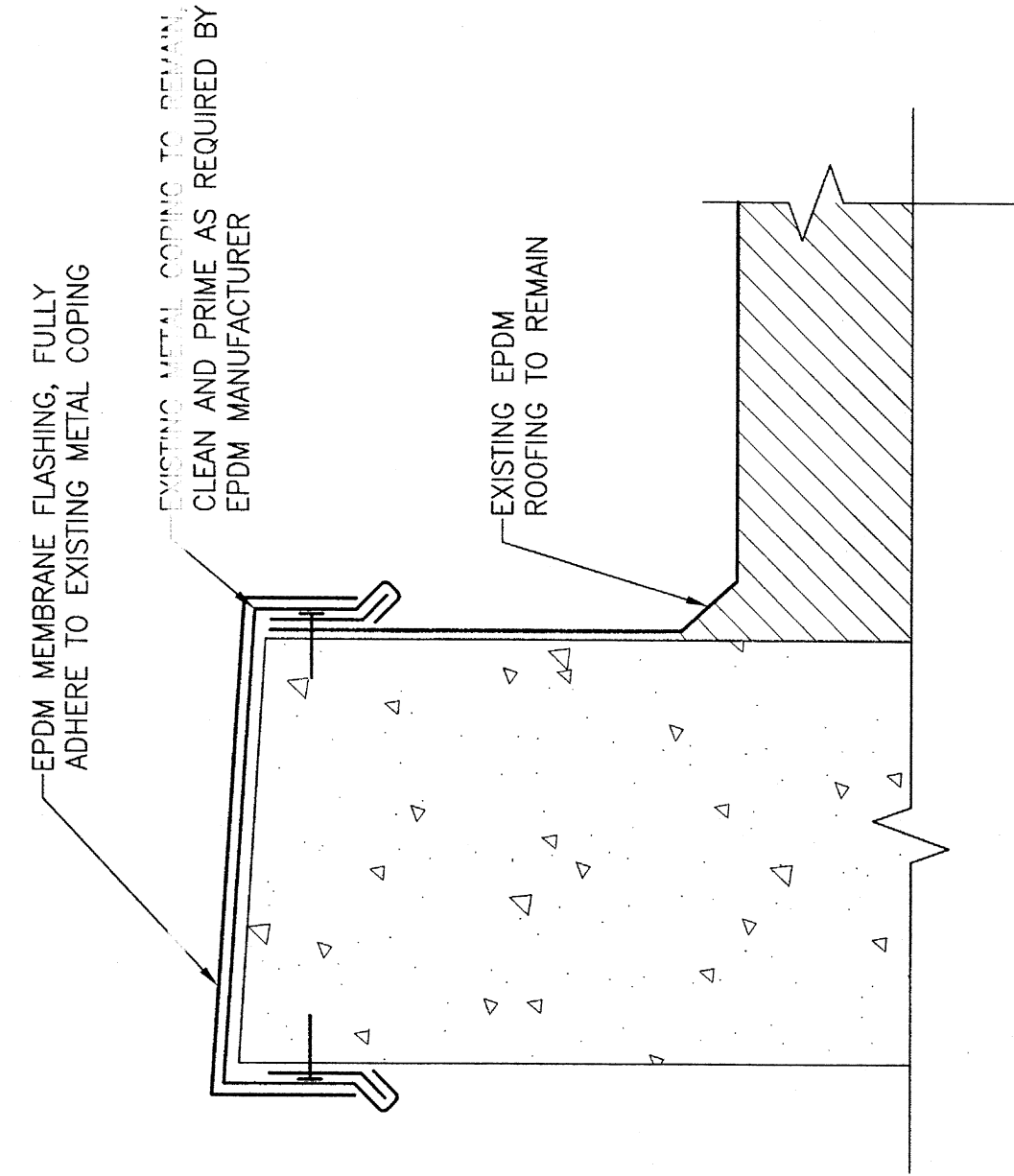
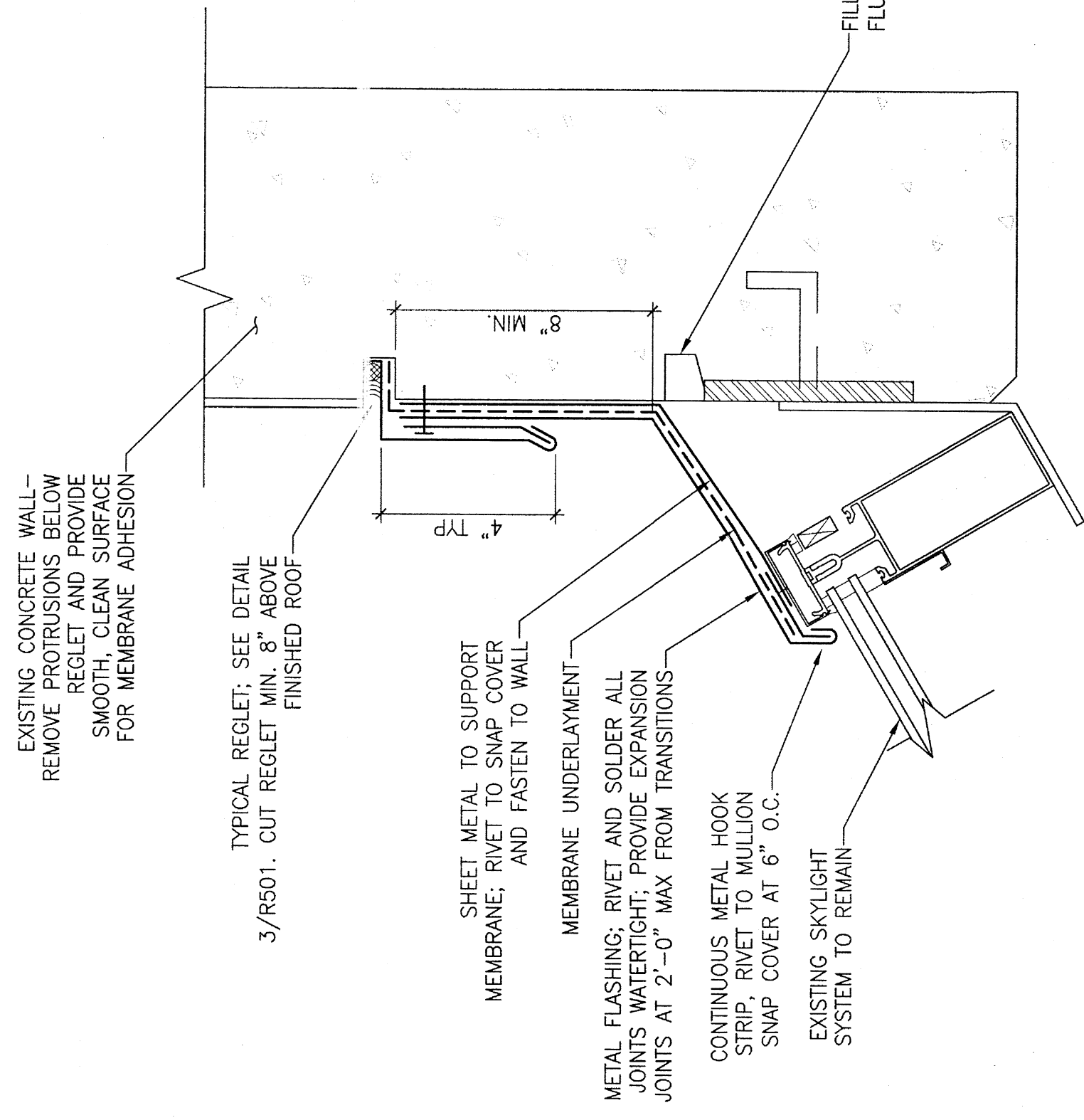


Consultant



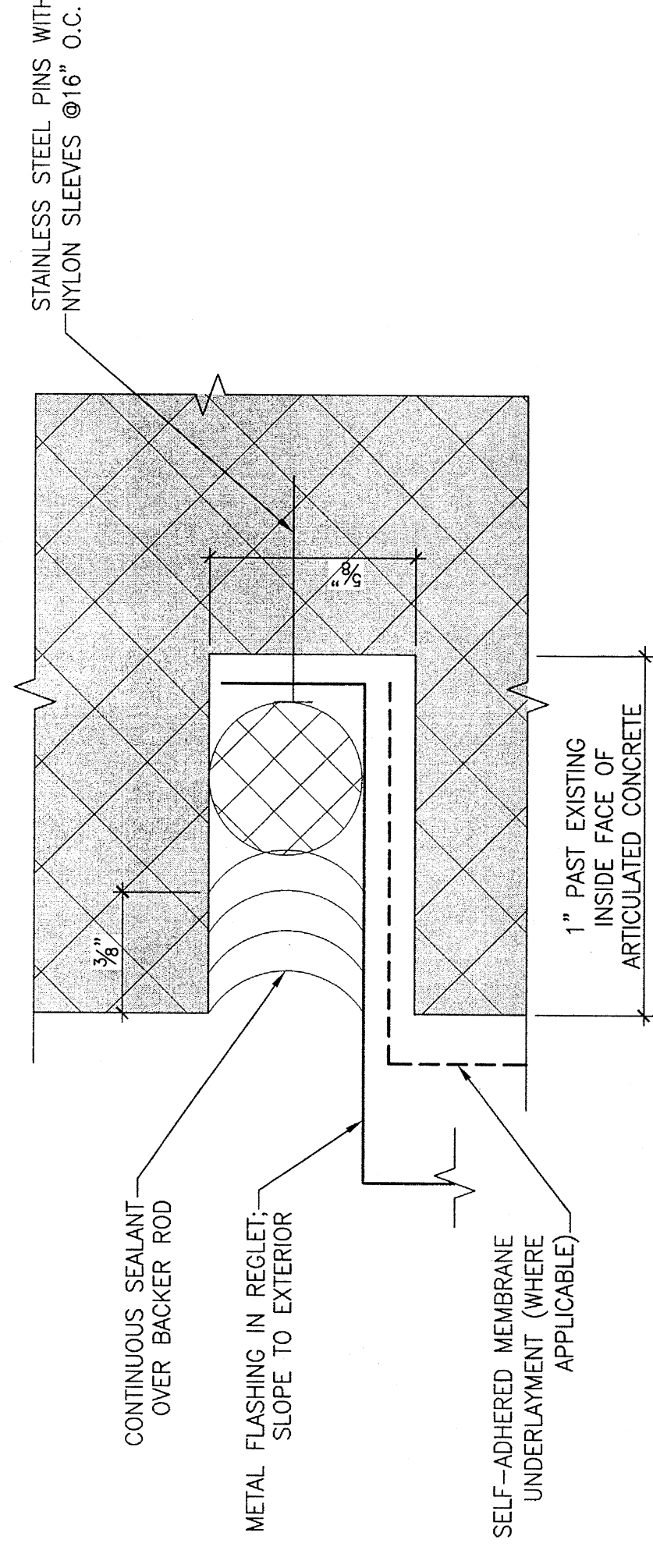
1 STAIR TOWER PARAPET DETAIL

N.T.S.



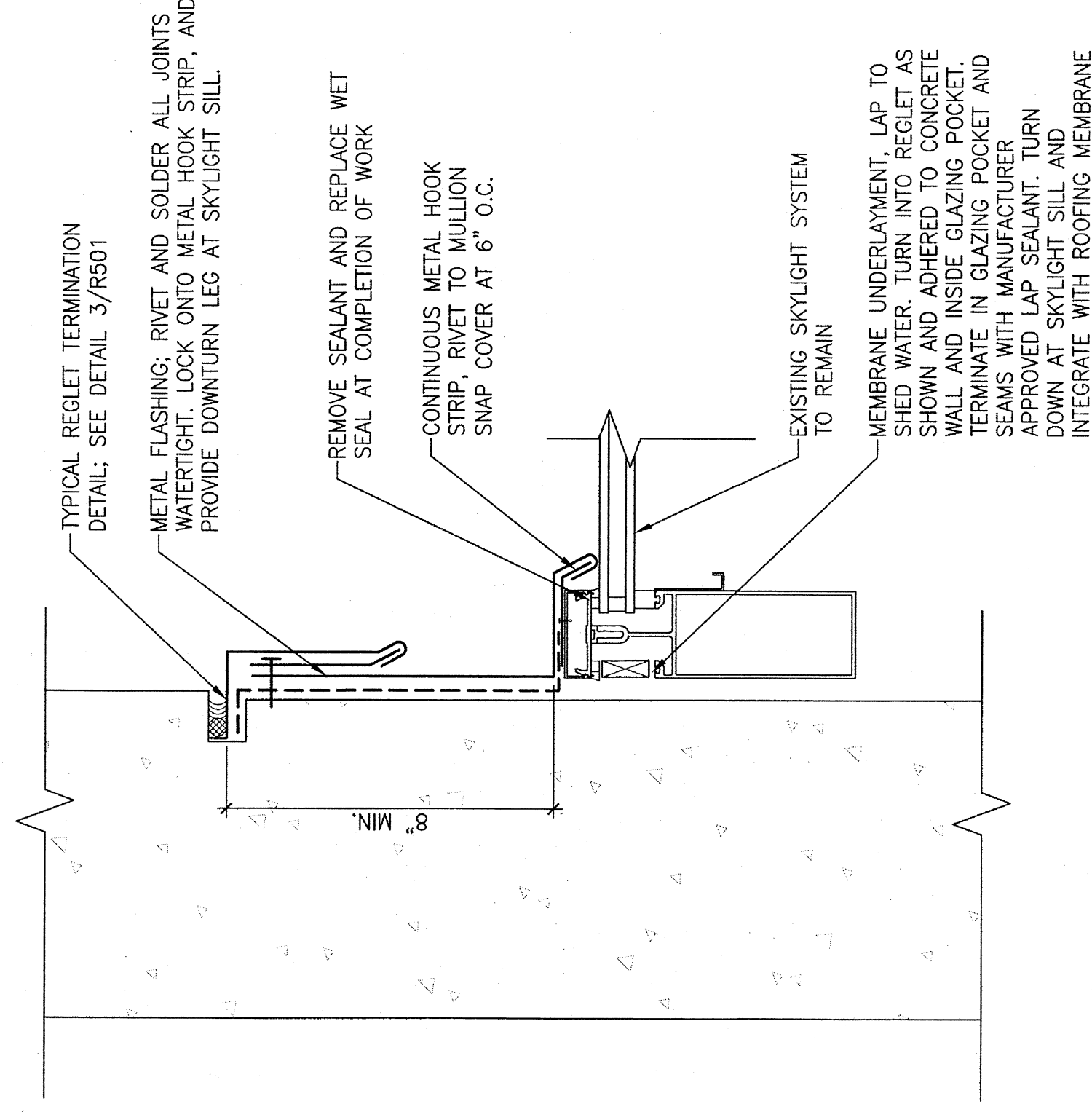
2 SKYLIGHT HEAD DETAIL

N.T.S.



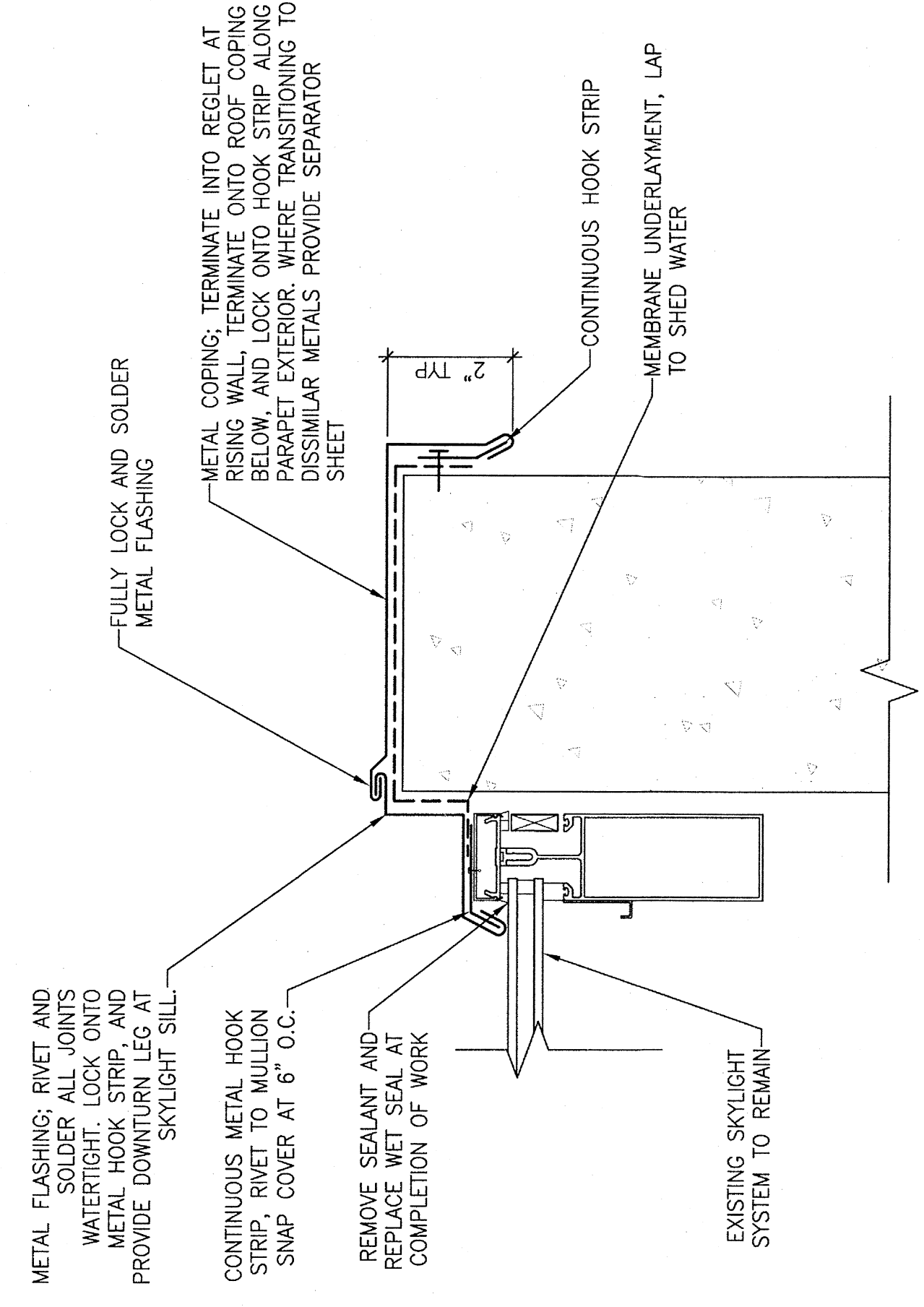
3 TYPICAL REGLET DETAIL

N.T.S.



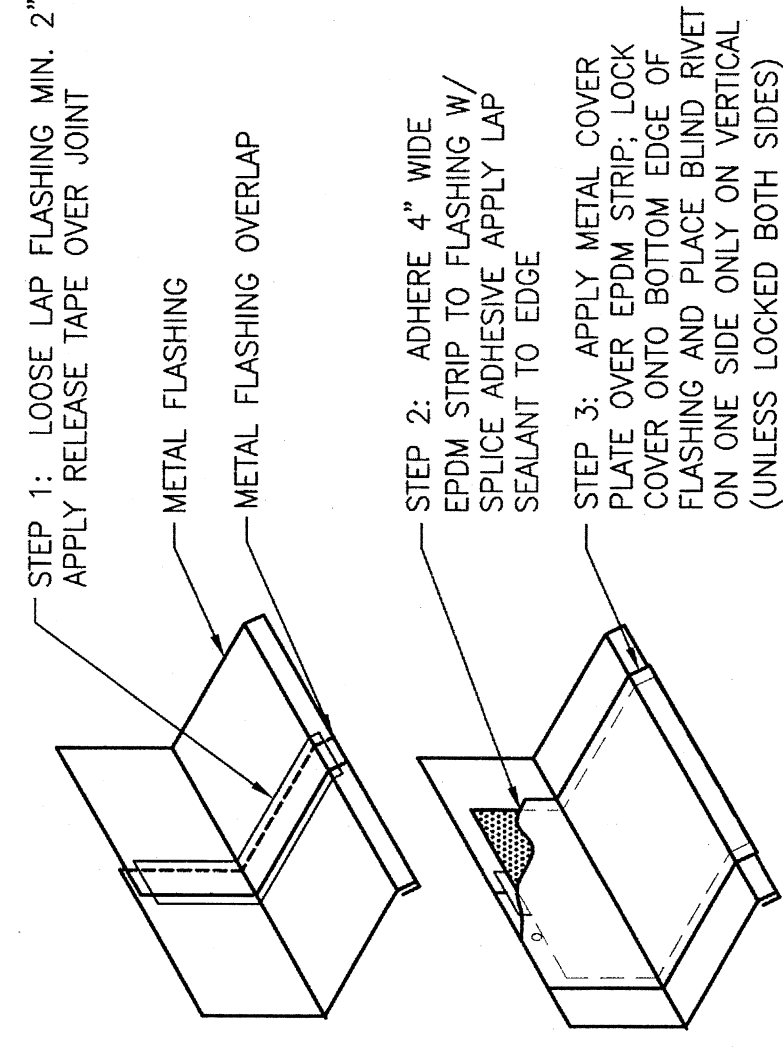
4 SKYLIGHT HEAD DETAIL

N.T.S.



5 SKYLIGHT JAMB DETAIL

N.T.S.



6 TYPICAL METAL FLASHING EXPANSION JOINT

N.T.S.

No.	Date	Description	By
1	5/19/11	90% SET	SRH
2	6/14/11	CONSTRUCTION DOCUMENTS	SRH

HCC #12-11
VARIOUS BUILDING
REPAIRS
HOLYOKE COMMUNITY
COLLEGE
HOLYOKE, MA

STAIRWELL SKYLIGHT
DETAILS

Project:

Project No.	Checked	Date
110182.01	JAT/NIF	06/29/2011

Drawn	Approved	Scale
BLC	AS	NOTED

Drawing No. **R501**

