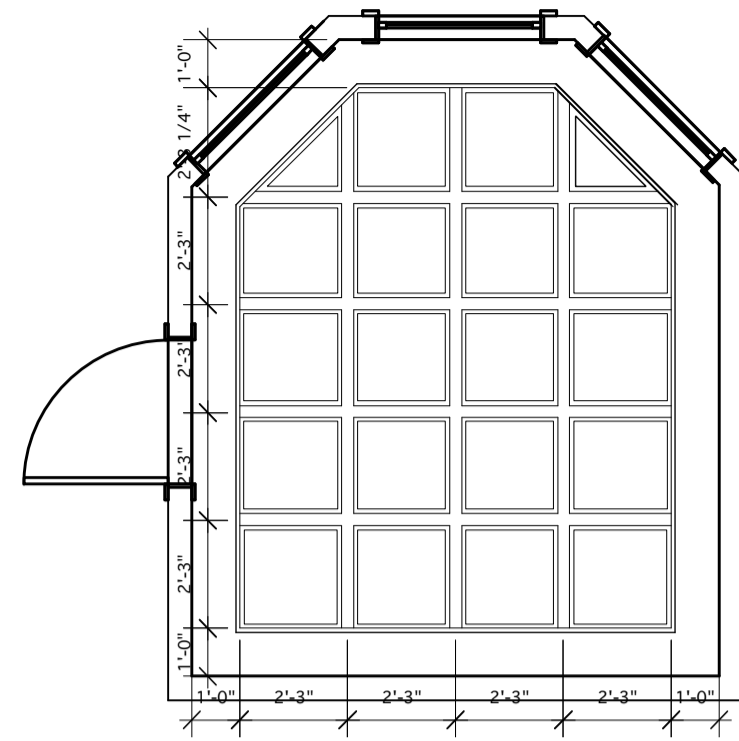
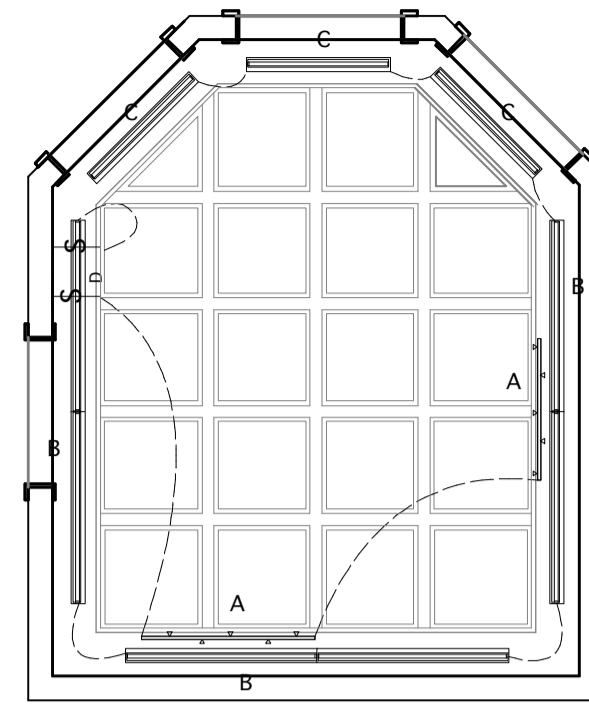


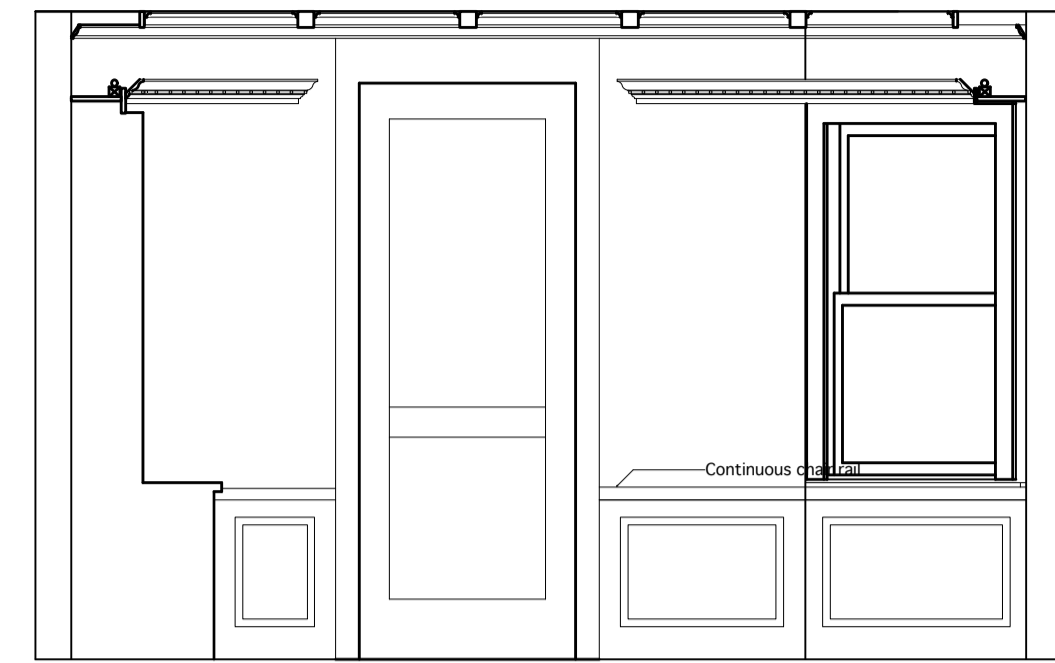
Plan



Reflected Ceiling Plan

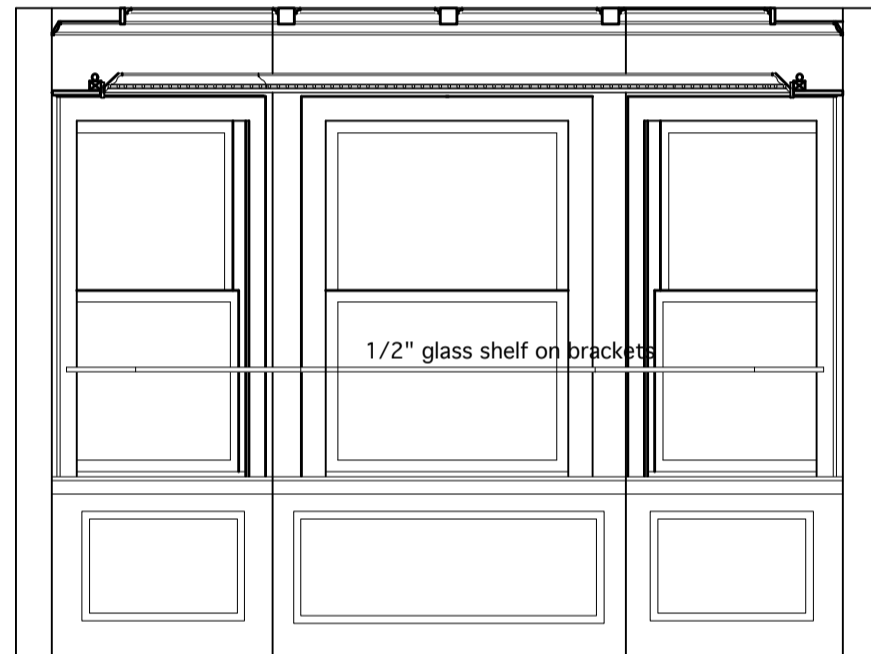


Lighting Plan



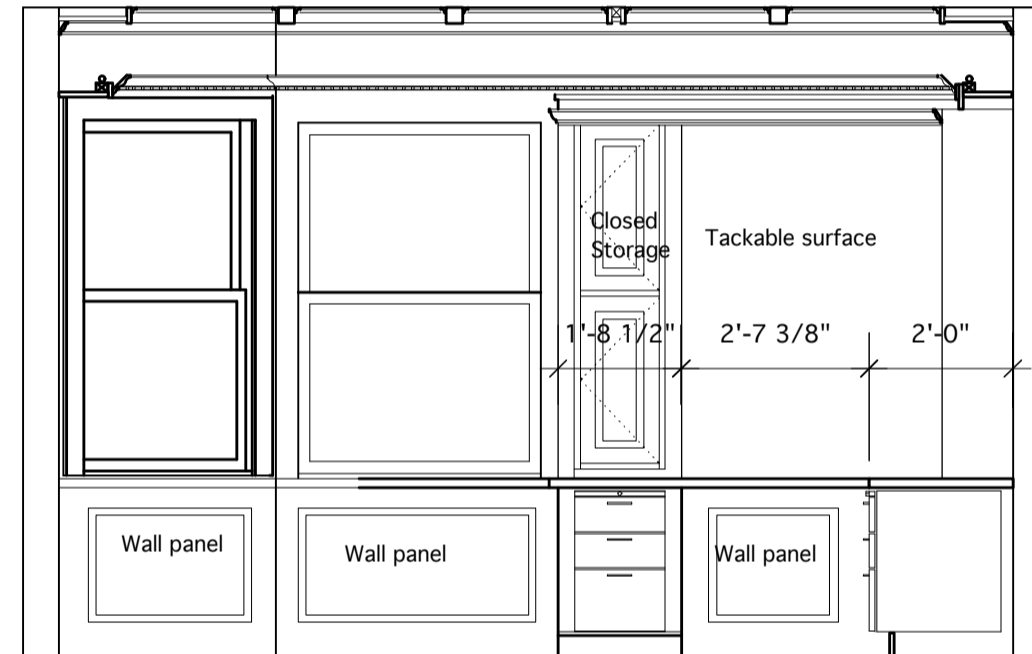
Elevation 1

3/8"=1'-0"



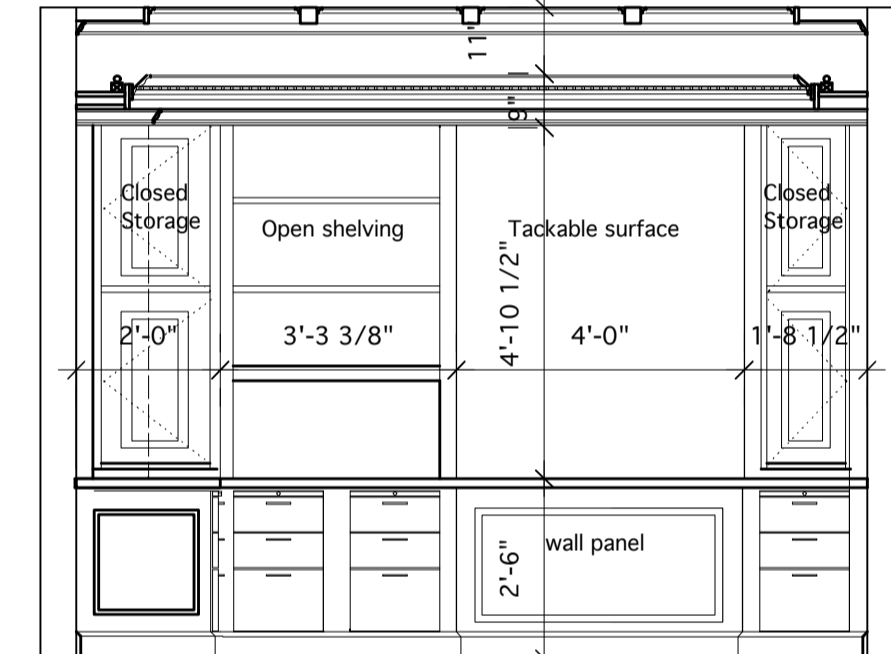
Elevation 2

3/8"=1'-0"



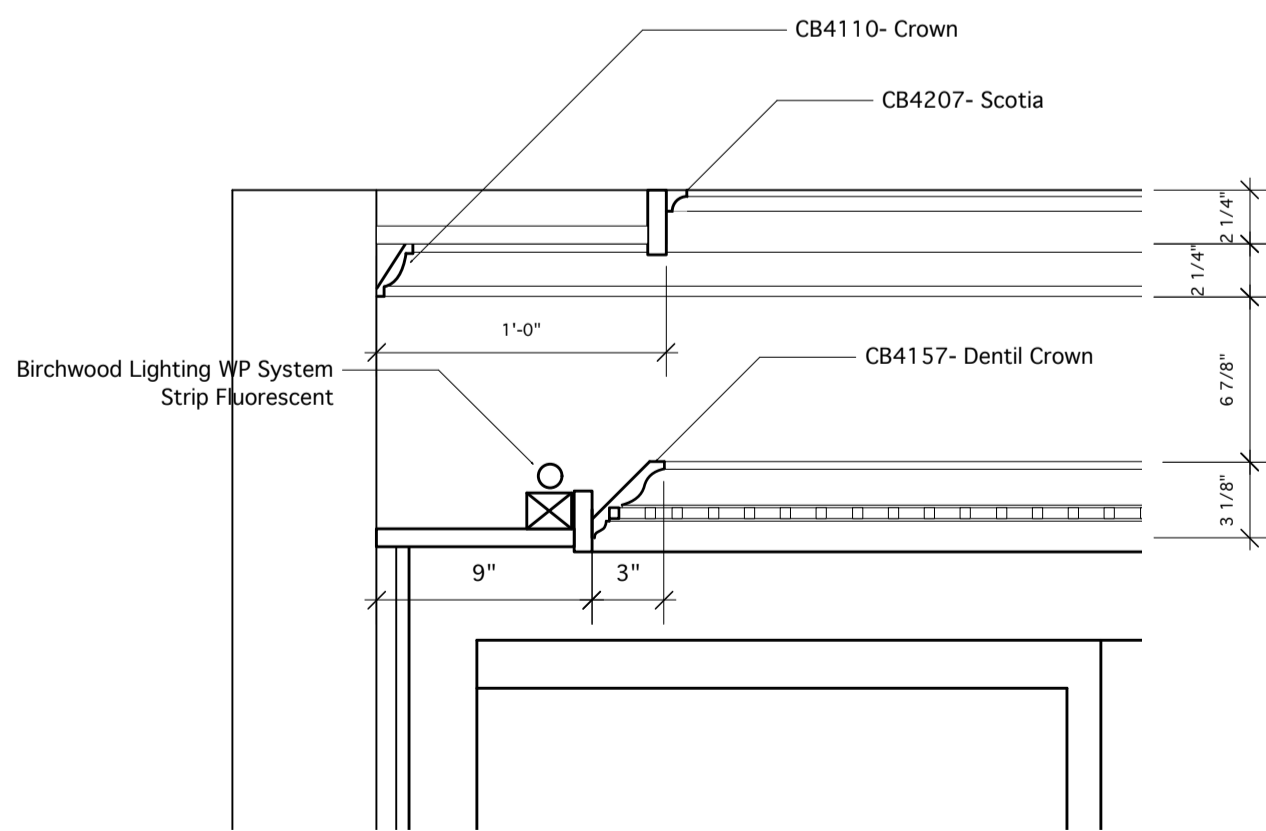
Elevation 3

3/8"=1'-0"



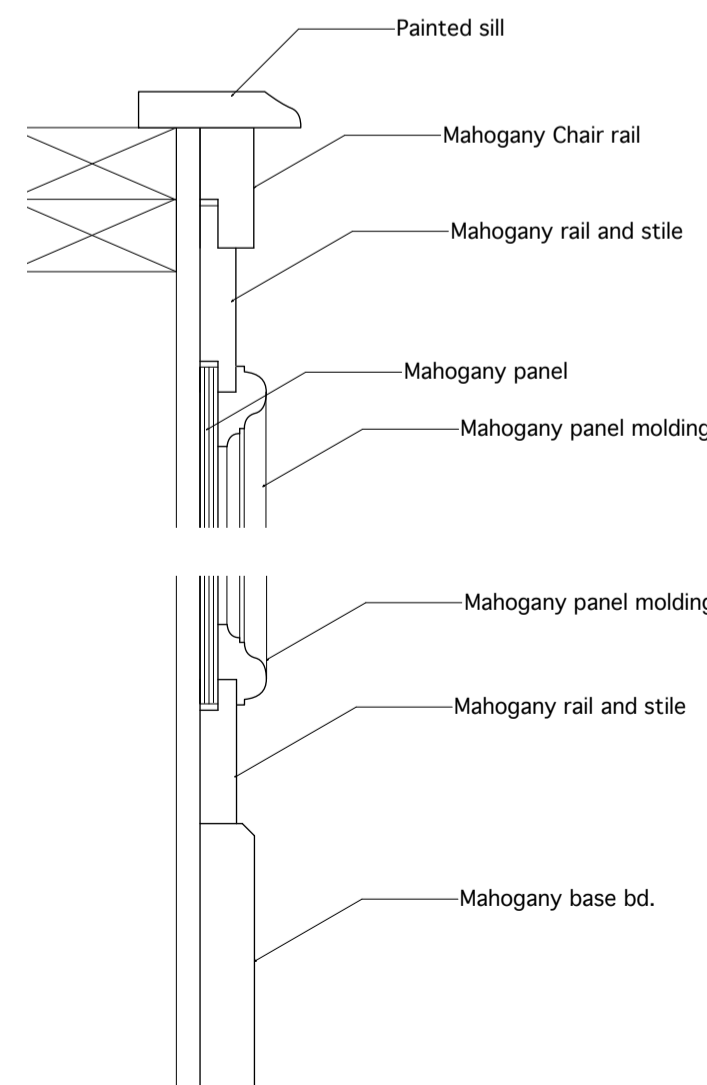
Elevation 4

3/8"=1'-0"



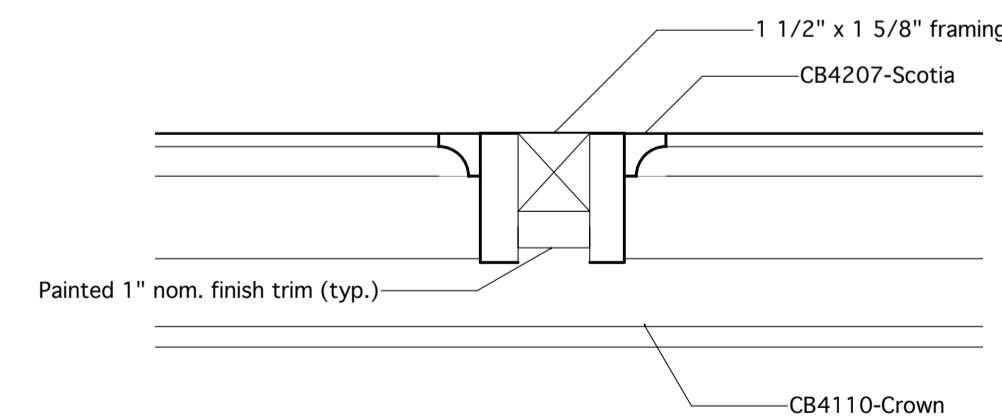
Section at Cove (typical)

1 1/2"=1'-0"



Section: window sill and panel (typical)

1 1/2"=1'-0"



Section: Coffered Ceiling

3"=1'-0"

Date		10/9/2011		Issue Notes	
Revision		Revision		Date	
Project ID		Perrier		No.	
Drawing Code		Drawing Code		Project ID	
CAD File Name		Perrier Office		Project Date	
Project Manager		00/00/00		Date	
Designed By		ek		Date	
Drawn By		ek		Revision	
Checked By		Perrier		Project ID	
Reviewed By		Perrier		Drawing Code	
Submitted By		Perrier Office		CAD File Name	
Project Manager		00/00/00		Project Date	
Design Firm		Eric Kaye Interiors		Project Title	
206 South Street		Northampton, Massachusetts 01060		Perrier Office	
413 586 9539		413 586 9539		4 Birchwood Drive	
Consultant		Huntington, Massachusetts 01050		Project Title	
Project Title		Perrier Office		Sheet Title	
Sheet Title		Floor Plan, RCP, Lighting Plan		Scale	
Scale		1/4"=1'-0" or As Noted		Sheet No.	
Sheet No.		V-002		Scale	
Scale		1/4"=1'-0" or As Noted		Sheet No.	
Sheet No.		1		Scale	