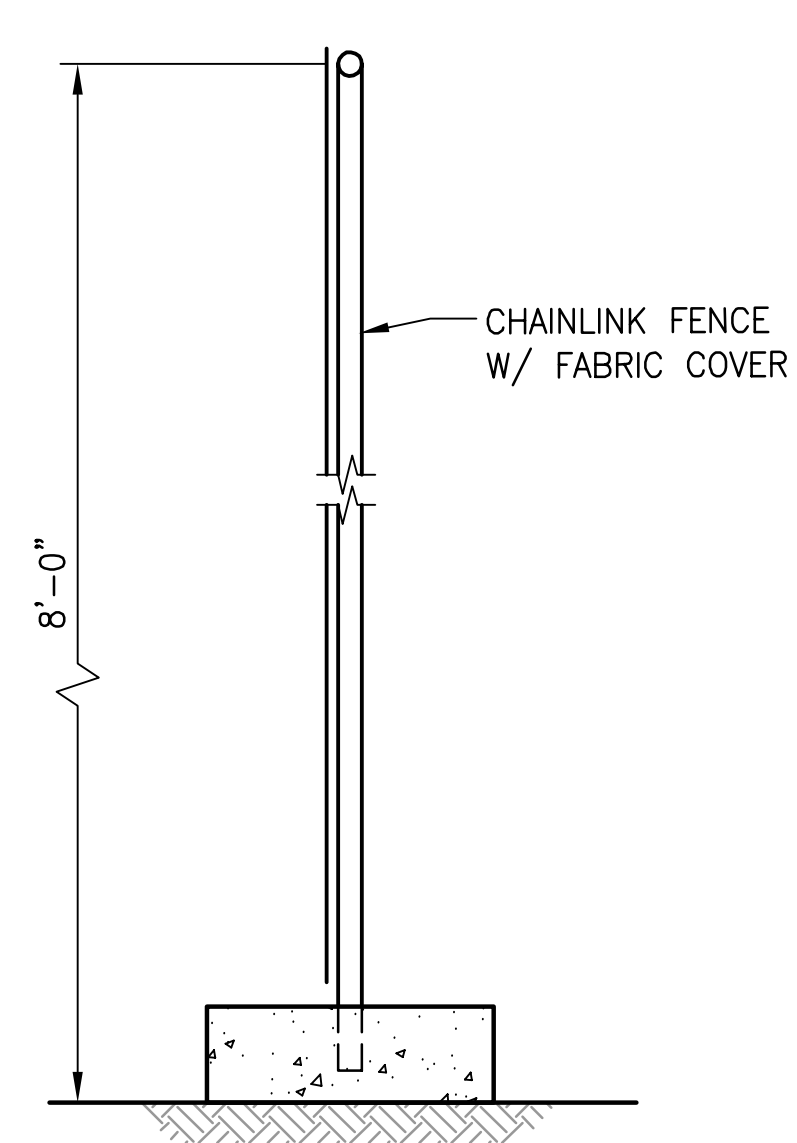
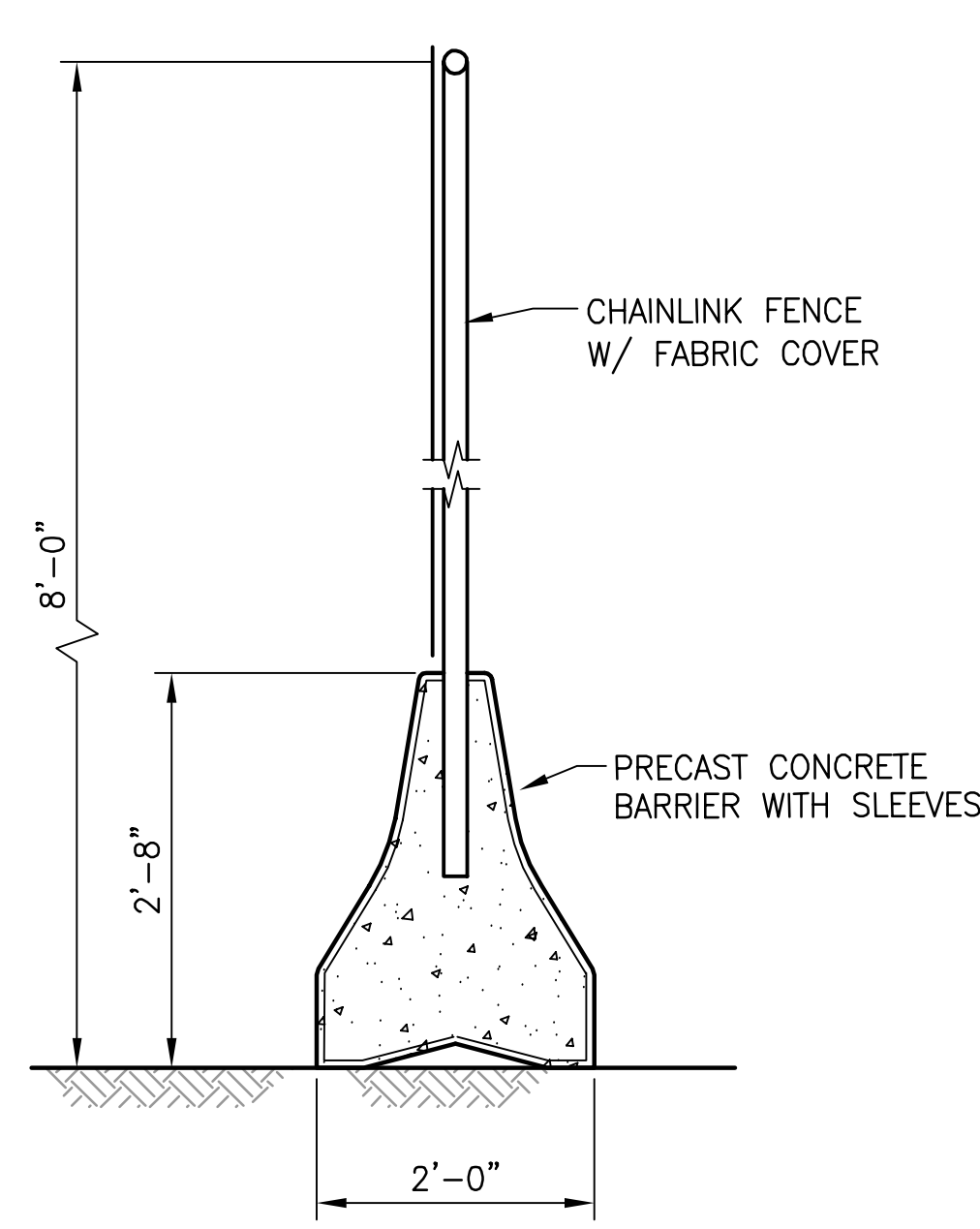


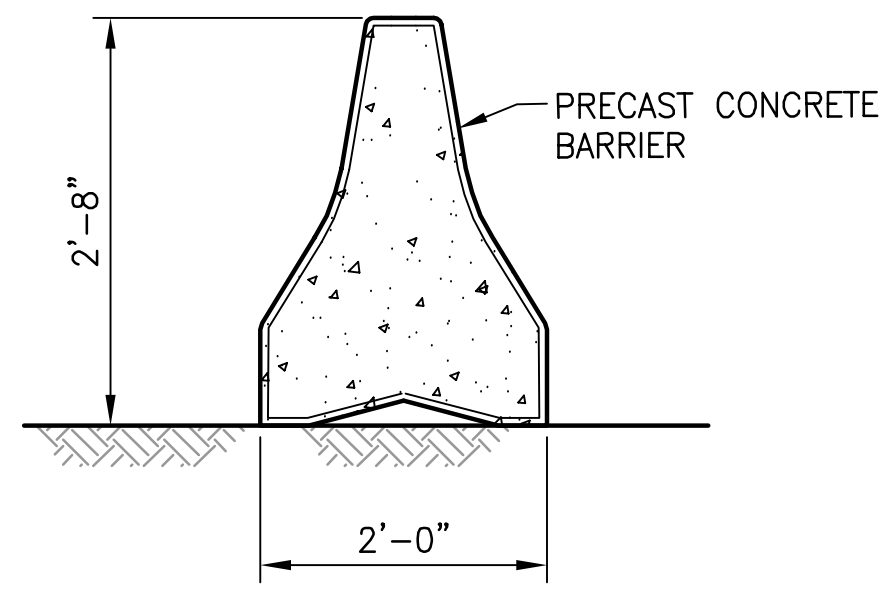
- LEGEND:**
- WORK ZONE
  - NO SWING ZONE
  - CLOSED PARKING SPACE DURING CONSTRUCTION



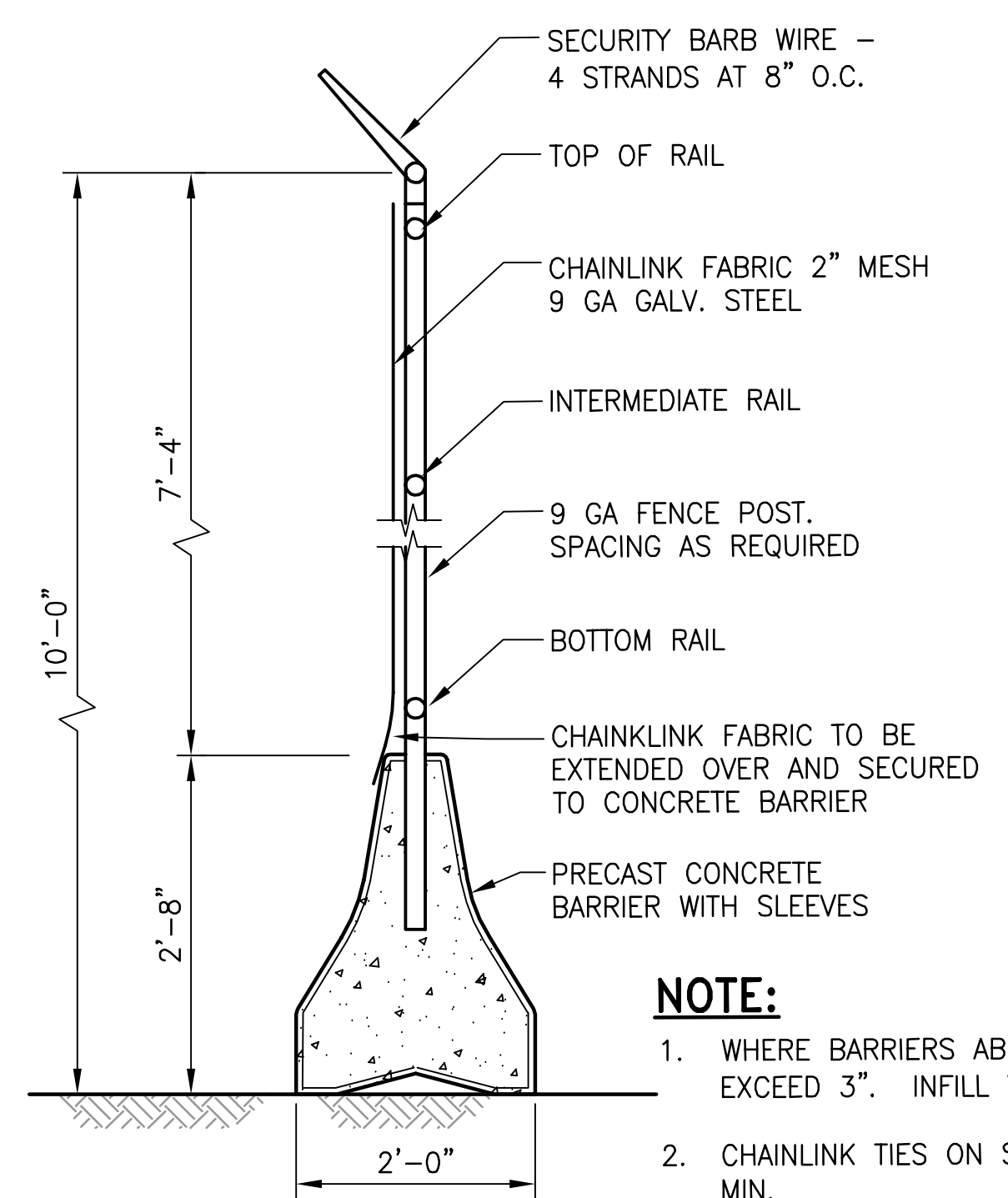
**1 BARRICADE TYPE B-1**  
SCALE: NOT TO SCALE



**2 BARRICADE TYPE B-2**  
SCALE: NOT TO SCALE



**3 BARRICADE TYPE B-3**  
SCALE: NOT TO SCALE



**4 BARRICADE TYPE B-4**  
SCALE: NOT TO SCALE

- NOTE:**
1. WHERE BARRIERS ABUT - SPACE NOT TO EXCEED 3". INFILL WITH 3/4" PLYWOOD FILLER.
  2. CHAINLINK TIES ON SECURE SIDE, 15" O.C. MIN.

	01/12/12	ISSUE FOR BID	JPC	CHB	
REV. NO.	DATE	DESCRIPTION	MADE BY	CHK. BY	APP. BY
<b>MASSACHUSETTS PORT AUTHORITY</b>					
<b>BOSTON, MASSACHUSETTS</b>					
<b>BOSTON LOGAN INTERNATIONAL AIRPORT</b>					
<b>EAST BOSTON, MASSACHUSETTS</b>					
ECONOMY PARKING STRUCTURE SNOW MELTING FACILITIES, BUILDING 10 237 PRESCOTT STREET, LOGAN AIRPORT, EAST BOSTON, MA 02128					
CONSTRUCTION PHASING CNG STATION AREA WORK ZONE PHASING PLANS					
CONSULTANT: PARSONS BRINCKERHOFF 75 ARLINGTON STREET BOSTON, MA 02116					
DSGN. BY:	JPC	CHKD. BY:	JPC	LOC. CODE:	
DWN. BY:	STAFF				
SCALE:	1"=20'	APPV. BY:	CHB	DATE:	01/12/2012
SHEET	OF	MPA PROJ. NO. L1175-C1		DWG. NO.: <b>CP-106</b>	

T:\52579 ECONOMY PARKING STRUCTURE SNOW MELTING FACILITIES\1175-CP106\_CNG WORK ZONE MODIFICATIONS.dwg, 1/12/2012 10:46:00 AM, PDF-XChange 4.0