

LOOKING NORTH

LOOKING NORTH

LOOKING EAST

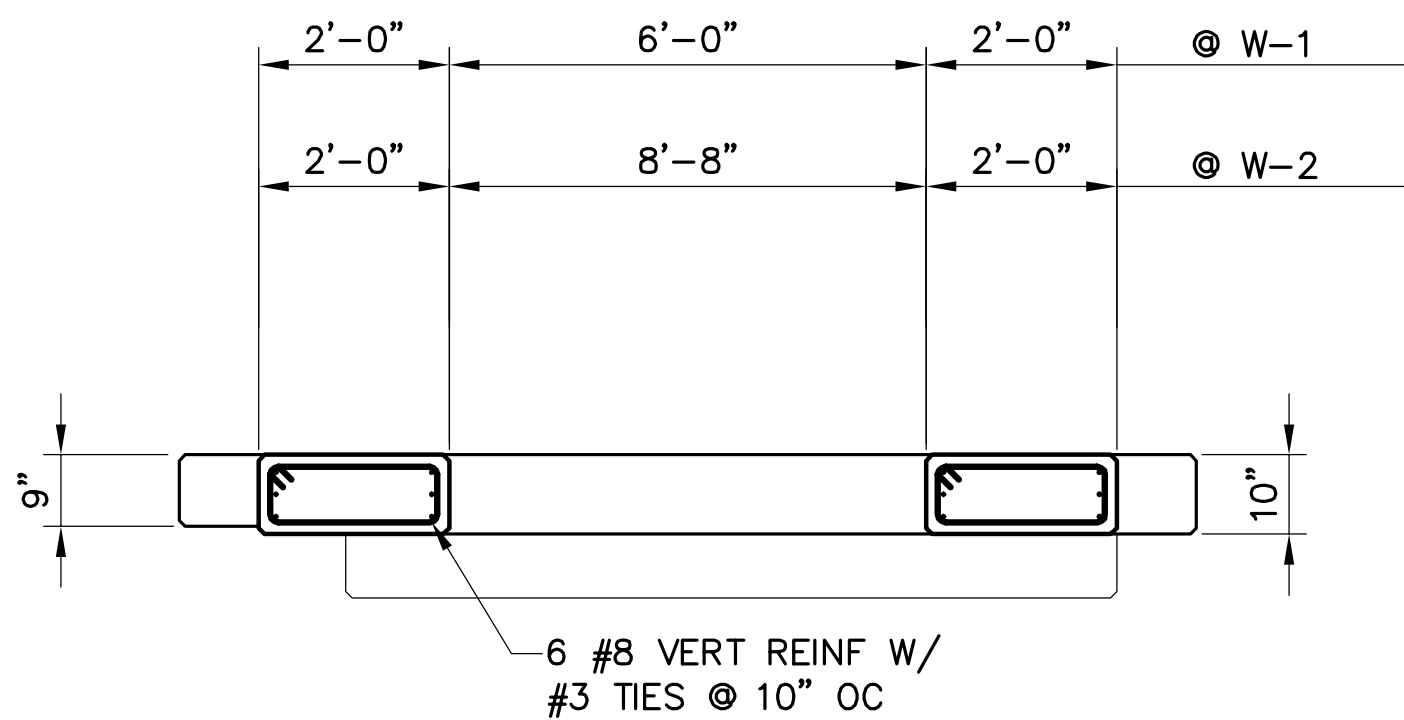
LOOKING WEST

**1 WALL W-1**  
S-501 SCALE: 3/16"=1'-0"  
REF: S-201

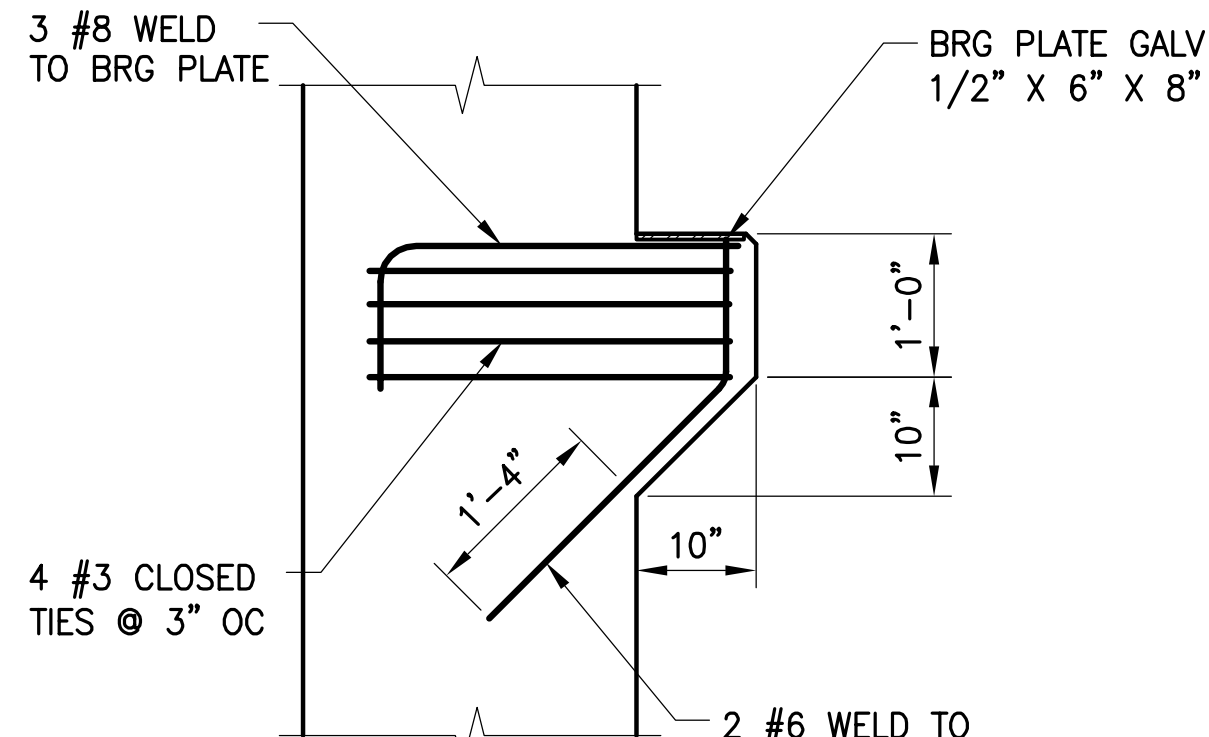
**2 WALL W-2**  
S-501 SCALE: 3/16"=1'-0"  
REF: S-201

**3 WALL W-3 & W-3A**  
S-501 SCALE: 3/16"=1'-0"  
REF: S-201

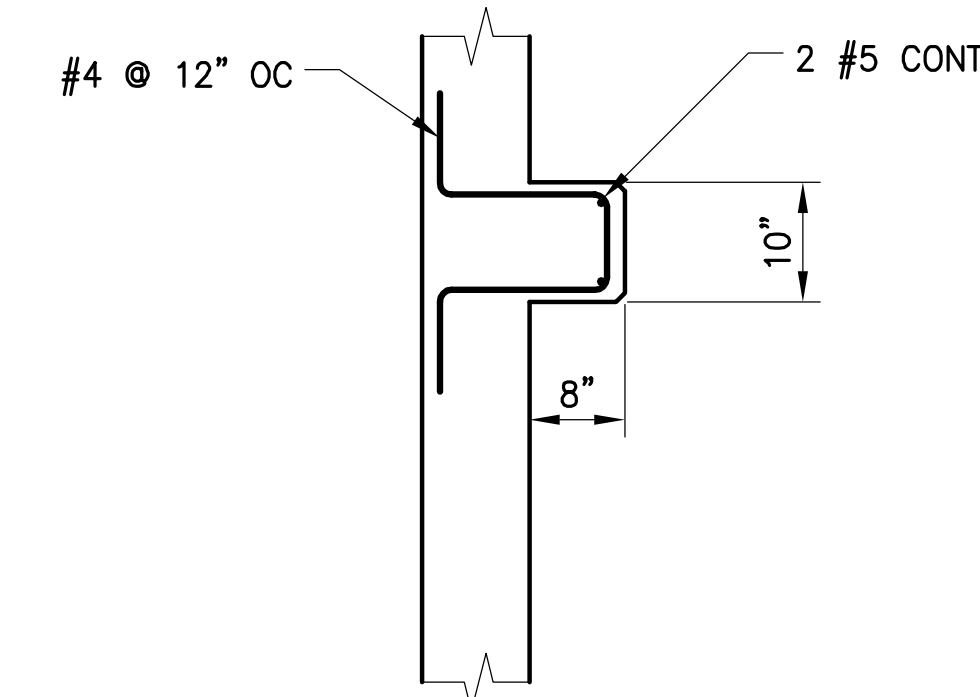
**4 WALL W-4 & W-4A**  
S-501 SCALE: 3/16"=1'-0"  
REF: S-201



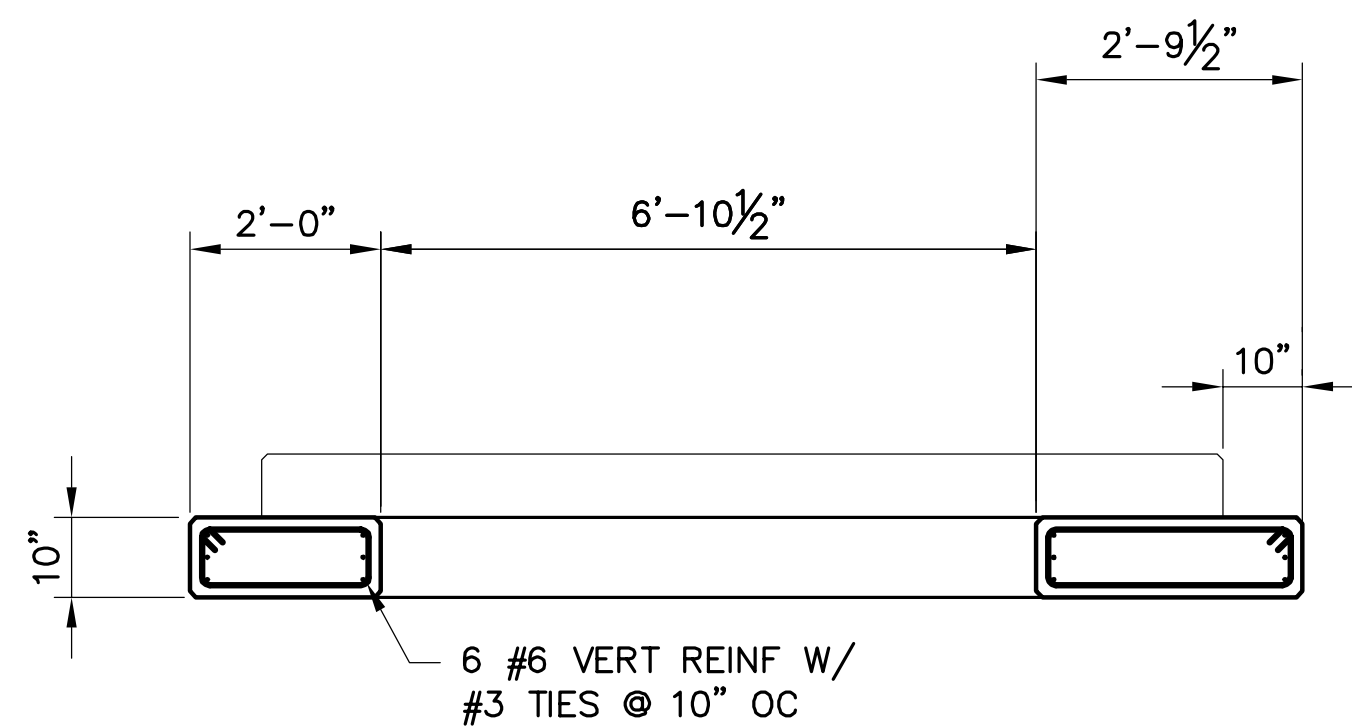
**6 WALL W-1 & W-2**  
S-501 SCALE: 1/2"=1'-0"  
REF: S-501



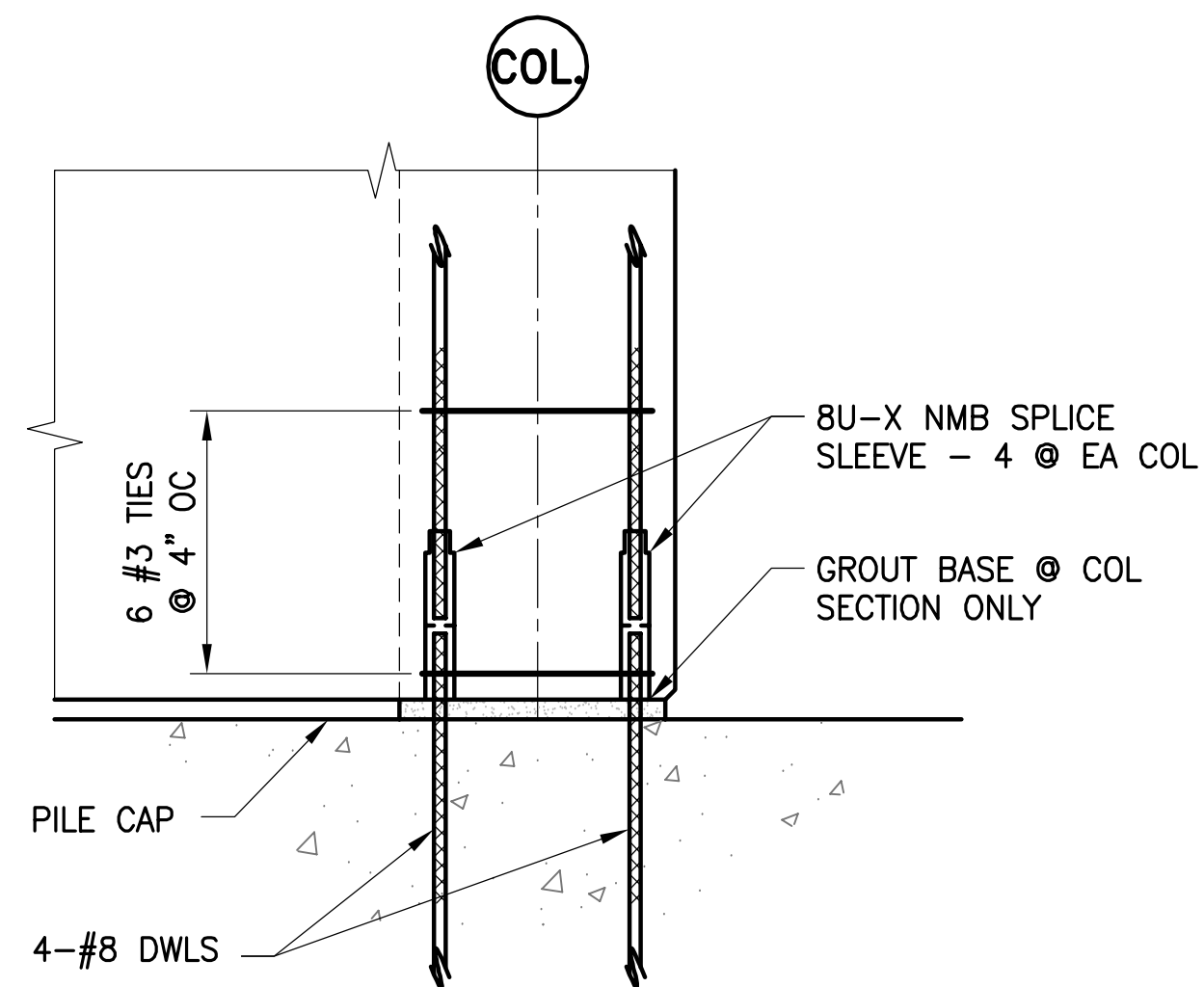
**8 HAUNCH TYPE 1**  
S-501 SCALE: 3/4"=1'-0"  
REF: S-501



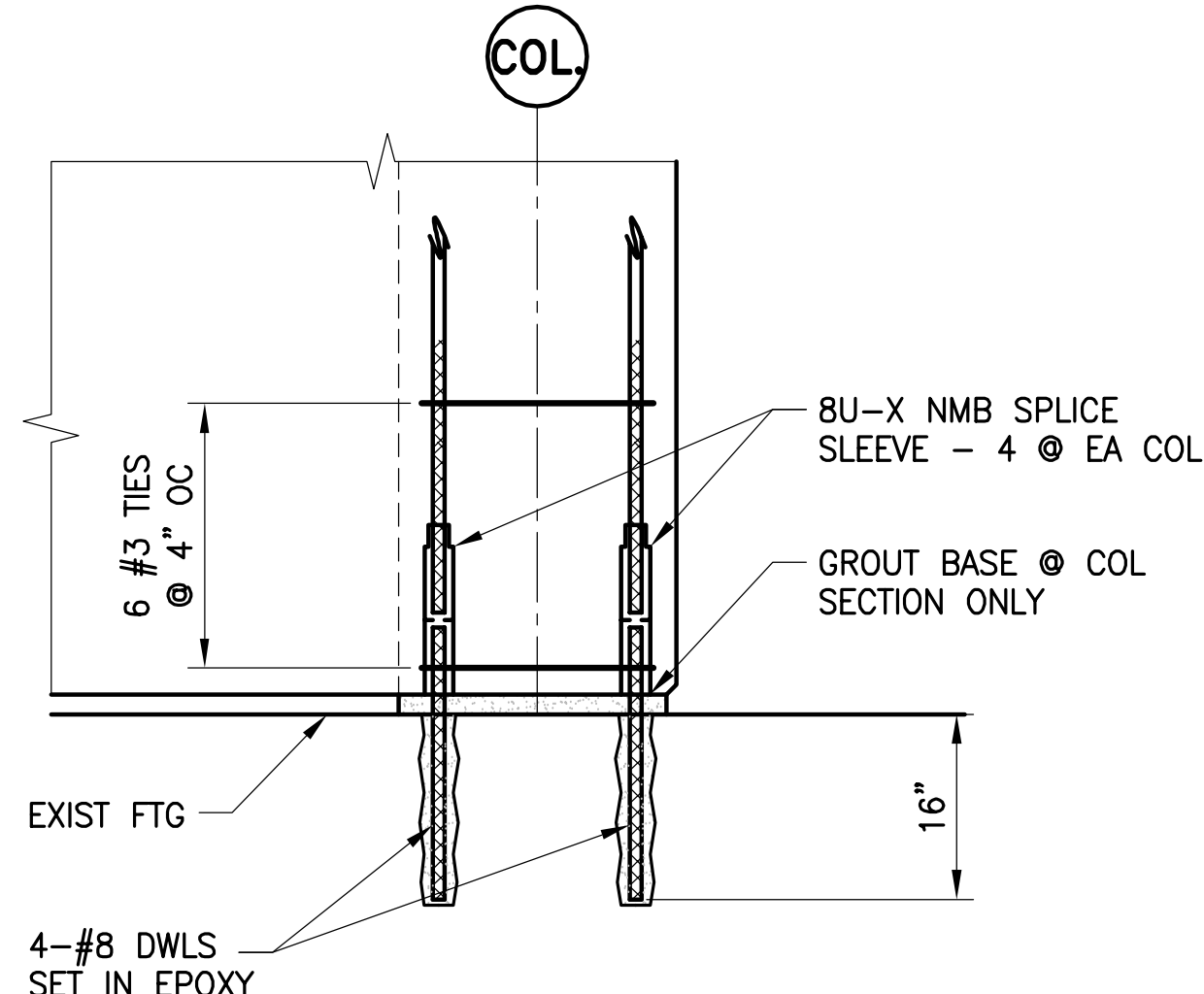
**9 HAUNCH TYPE 2**  
S-501 SCALE: 3/4"=1'-0"  
REF: S-501



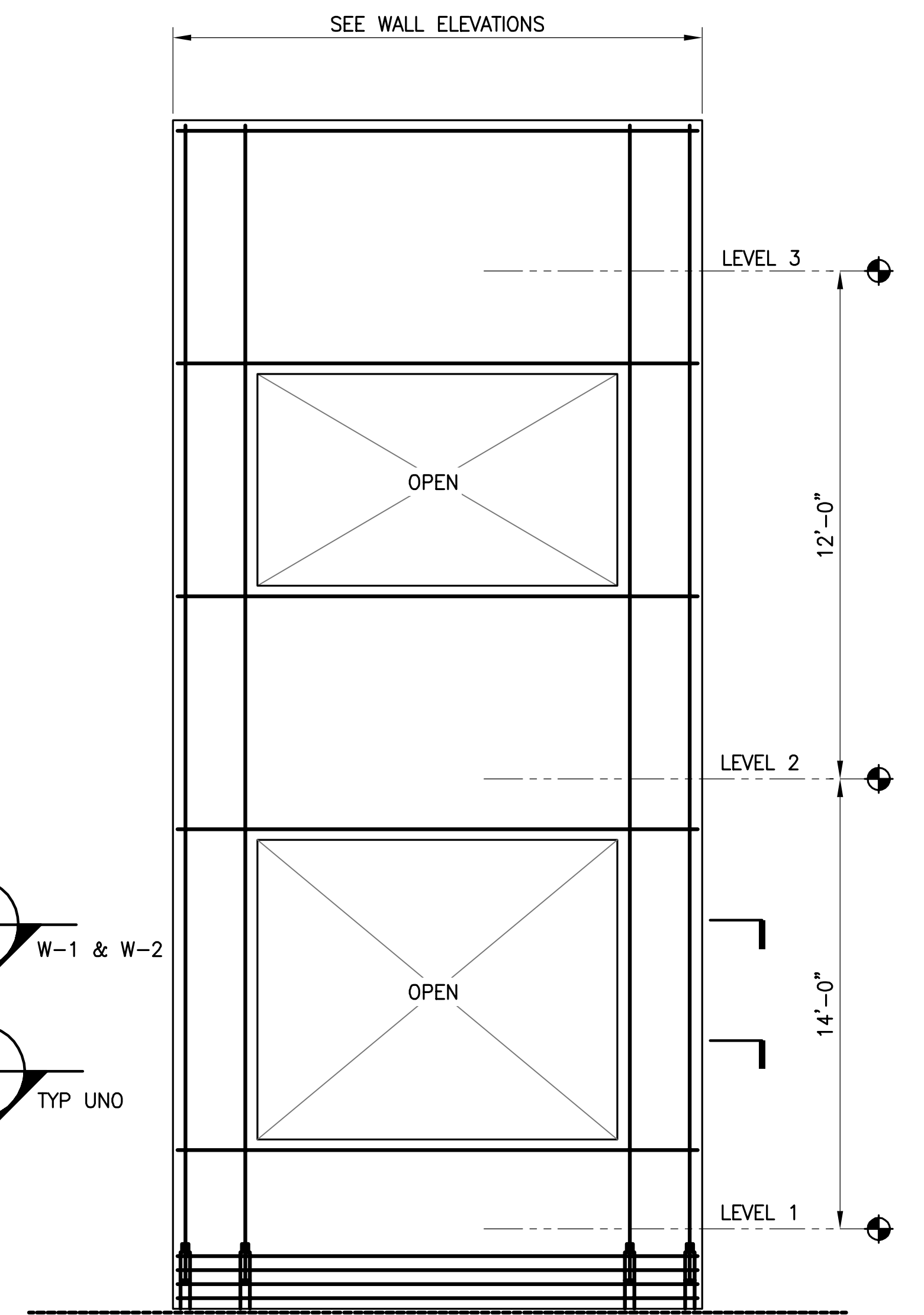
**7 WALL W-3 & W-4**  
S-501 SCALE: 1/2"=1'-0"  
REF: S-501



**10 WALL BASE CONNECTION**  
S-501 SCALE: 3/4"=1'-0"  
REF: S-501



**11 WALL BASE CONNECTION**  
S-501 SCALE: 3/4"=1'-0"  
REF: S-501



**5 TYP. WALL REINF DETAIL**  
S-501 SCALE: 3/8"=1'-0"  
REF: S-501

REV. NO	DATE	DESCRIPTION	MADE BY	CHK. BY	APPD. BY
01/12/12		ISSUE FOR BID		JPC	CHB

**MASSACHUSETTS PORT AUTHORITY**  
BOSTON, MASSACHUSETTS

BOSTON LOGAN INTERNATIONAL AIRPORT  
EAST BOSTON, MASSACHUSETTS

ECONOMY PARKING STRUCTURE SNOW MELTING FACILITIES, BUILDING 10  
237 PRESCOTT STREET, LOGAN AIRPORT, EAST BOSTON, MA 02128

STRUCTURAL  
WALL ELEVATIONS & DETAILS

CONSULTANT:  
**PARSONS BRINCKERHOFF**  
75 ARLINGTON STREET  
BOSTON, MA 02116

DSGN. BY: JPC  
DWN. BY: STAFF  
CHKD. BY: JPC  
LOC. CODE:

SCALE: AS NOTED  
APPV. BY: CHB  
DATE: 01/12/2012  
DWG. NO.:

SHEET OF MPA PROJ. NO. L1175-C1 **S-501**