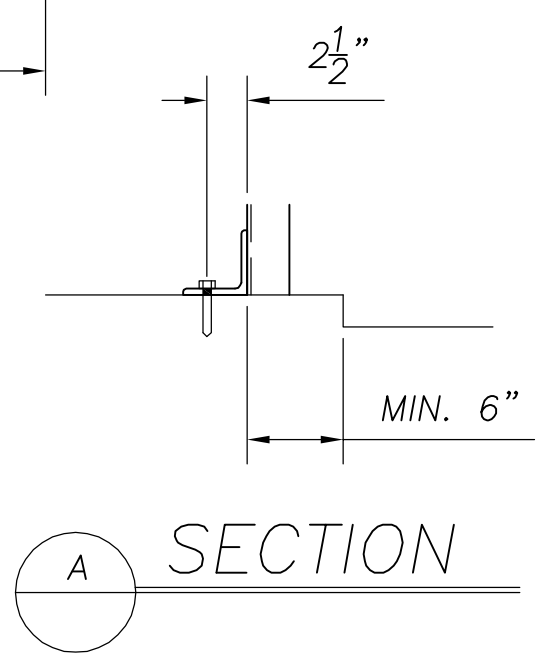


REFER TO CROSSOVER STAIR #1 FOR ALL TYPICAL INFORMATION NOT SHOWN

SECTION THRU CROSSOVER STAIR #2 (4'-2" LANDING)
3'-0" CLEAR BETWEEN STRINGERS



REVISIONS			
NO.	DESCRIPTION	BY	DATE
1	FIRST APPROVAL REV'S	AH	9-20

FINISH: GALVANIZED		STEEL GR: A36 UNO	DRAWN BY: A.H.	DATE: 11-17-10	CHK'D BY:	DATE:
HOLES: 1/8" UNO		PREP: SSPC-SP3	DESCRIPTION: CROSSOVER STAIR #2		JOB NO: 10-570	
BOLTS: 3/8" A325 TC UNO		WELDS: E70xx			SHEET NO: E4	



PH: 413-788-0770 FAX: 413-788-3770

PROJECT: MORRILL 2 & 3 VENTILATION UPGRADE

LOCATION: UMASS AMHERST

CONTRACTOR: FIVE STAR

ARCHITECT: CIVITECTS