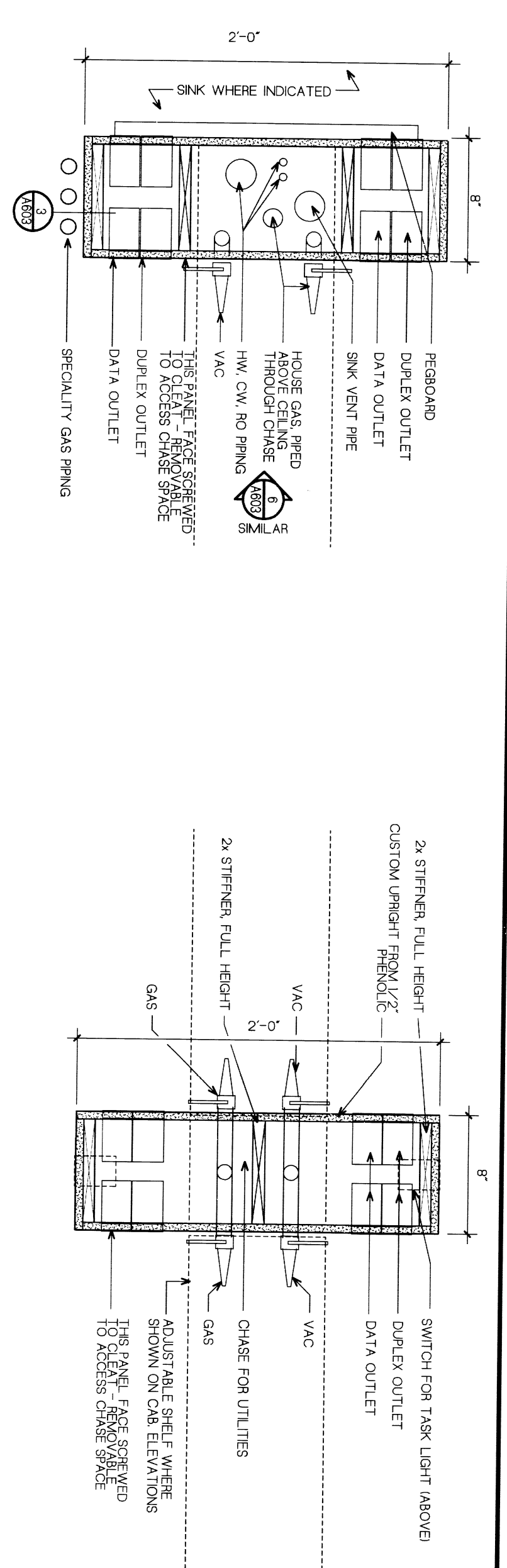
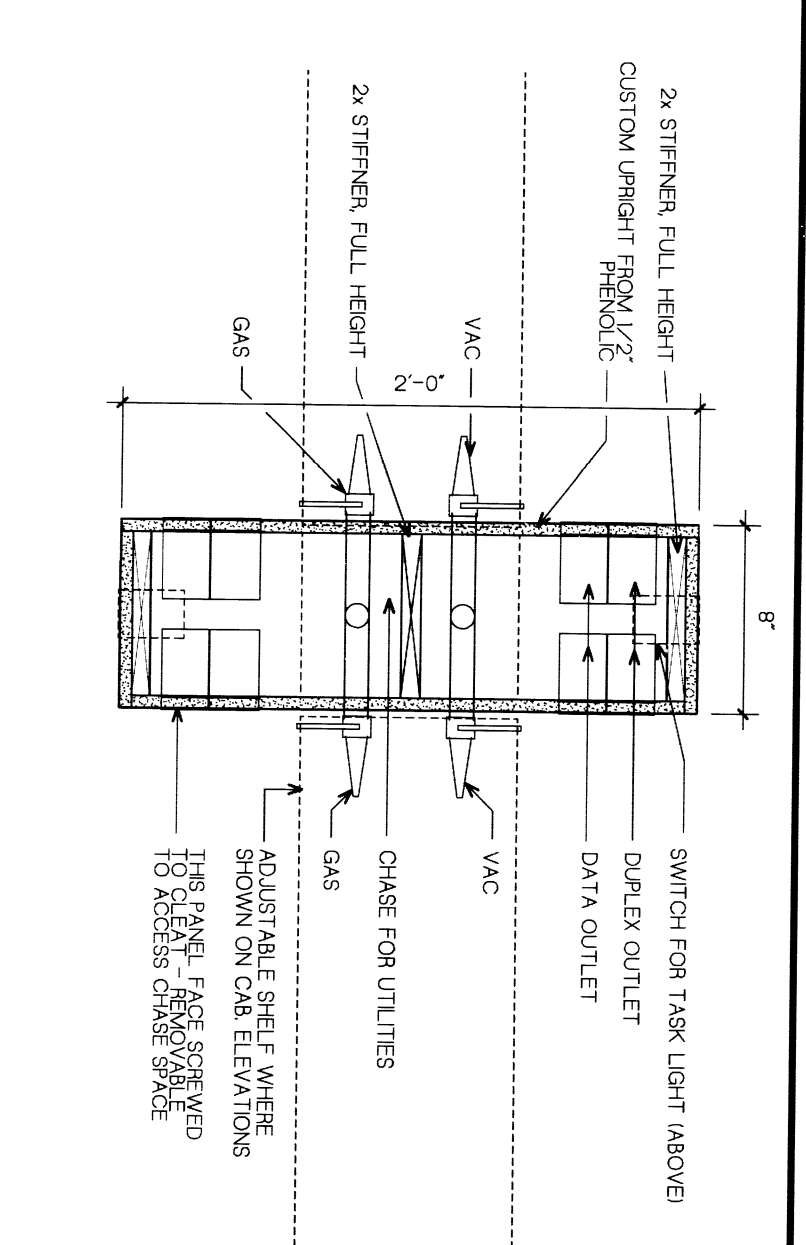


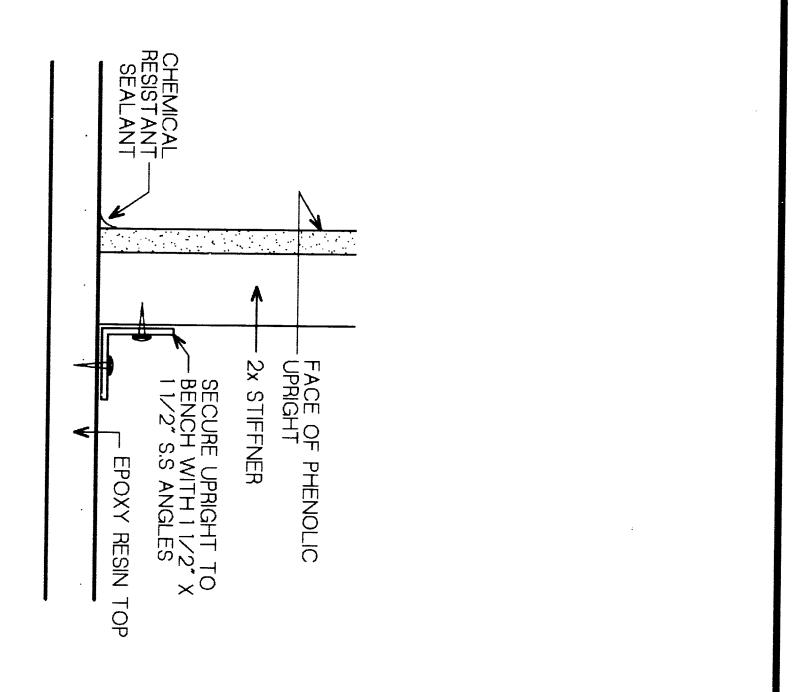
GENERAL NOTES:



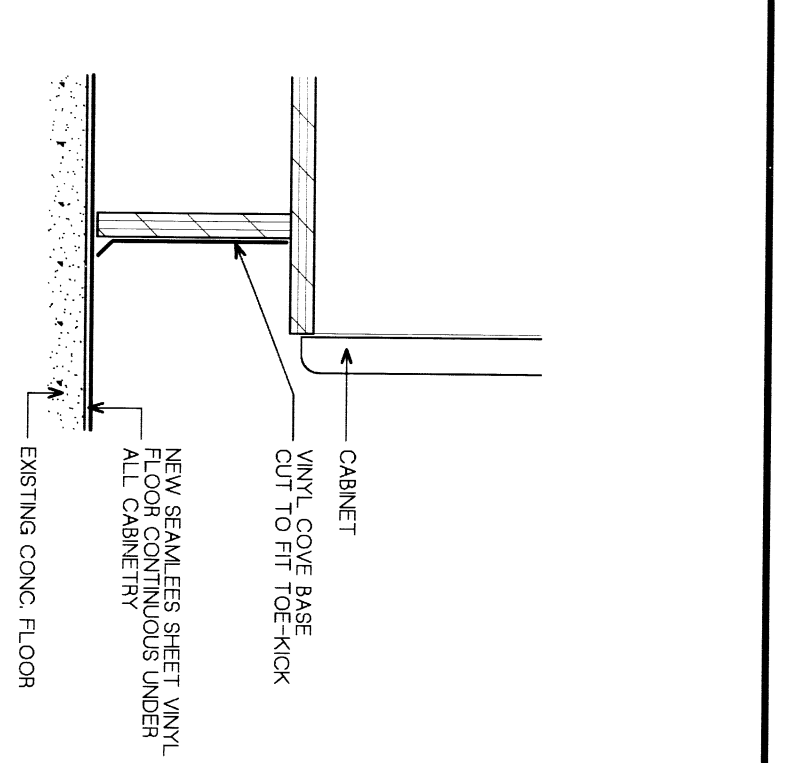
1 SECTION THROUGH BENCH UPRIGHT MAIN
A603 1 1/2'-1'-0"



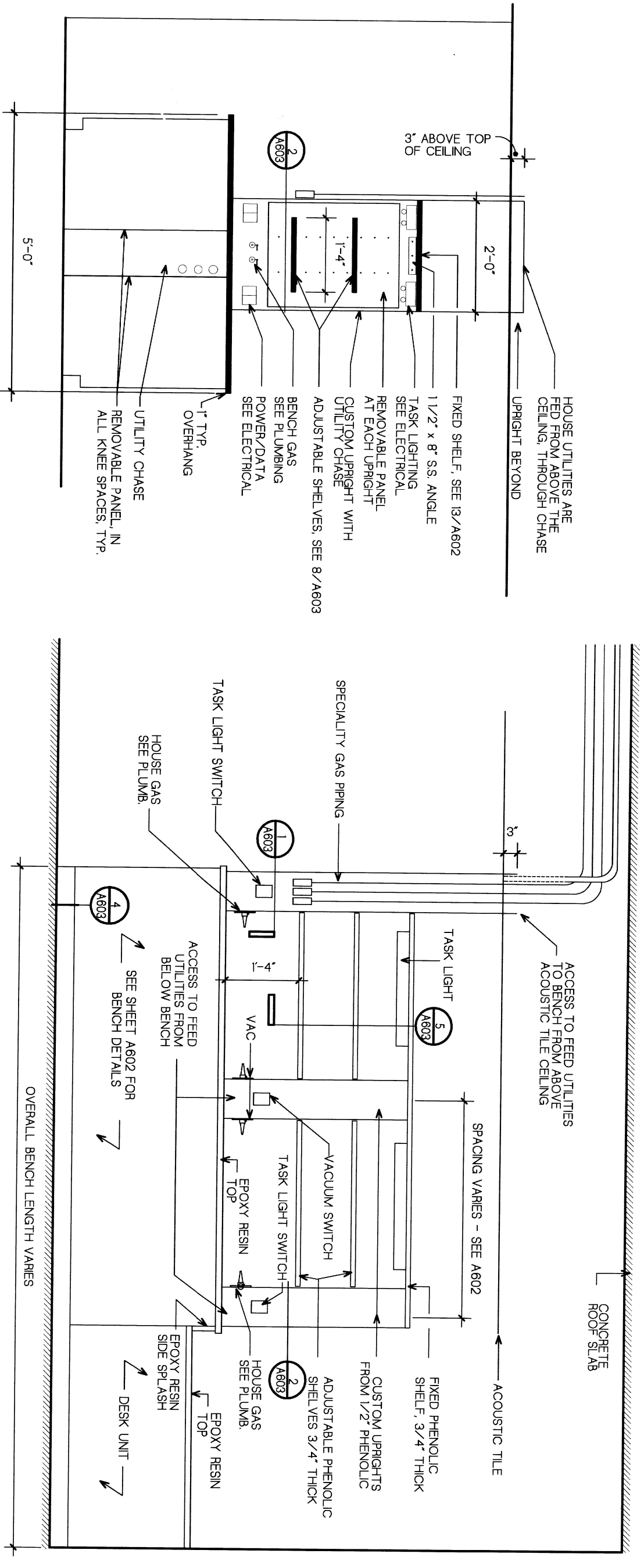
2 SECTION THROUGH BENCH UPRIGHT
A603 1 1/2'-1'-0"



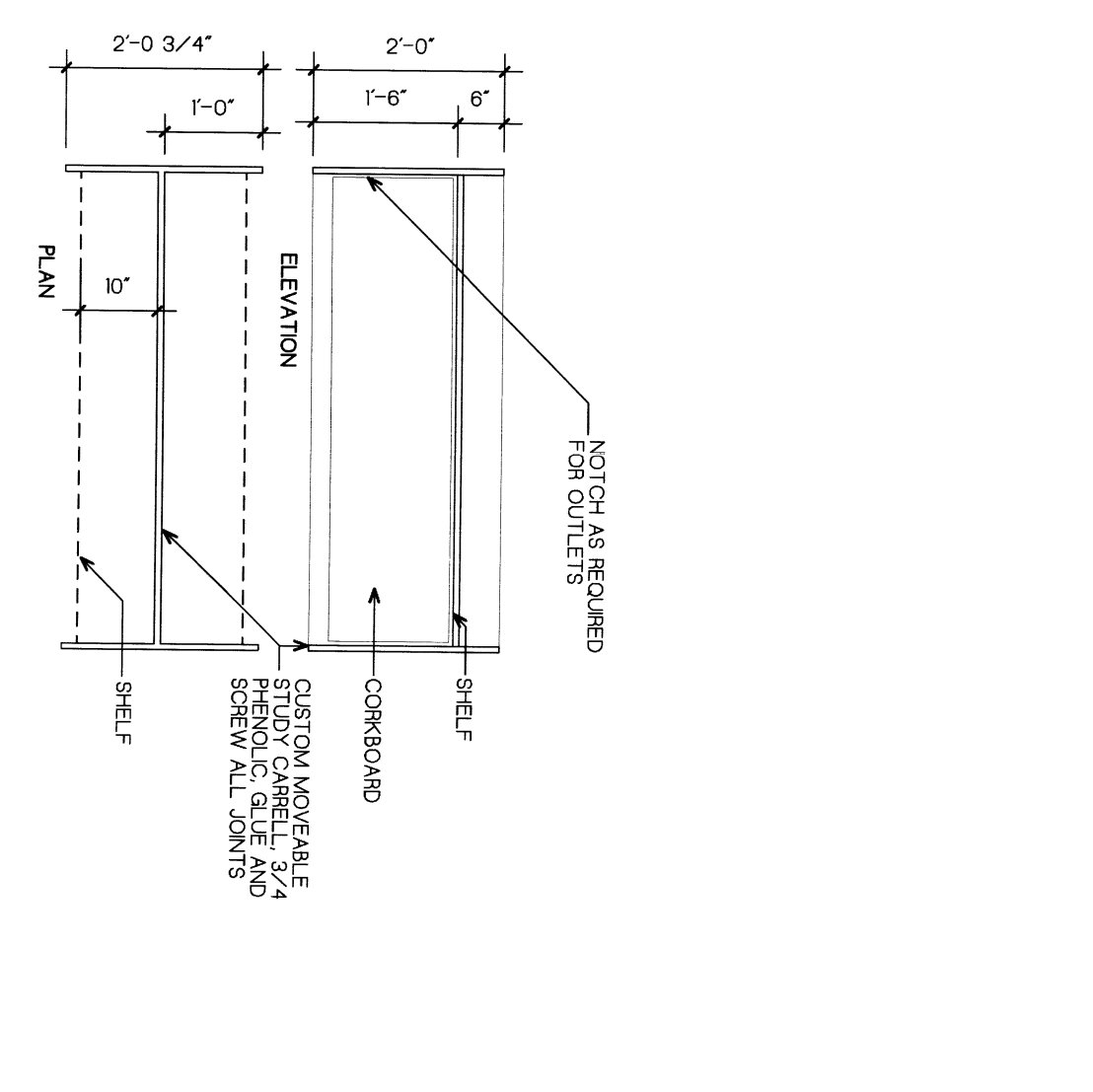
3 DETAIL UPRIGHT BASE
A603 3'-1'-0"



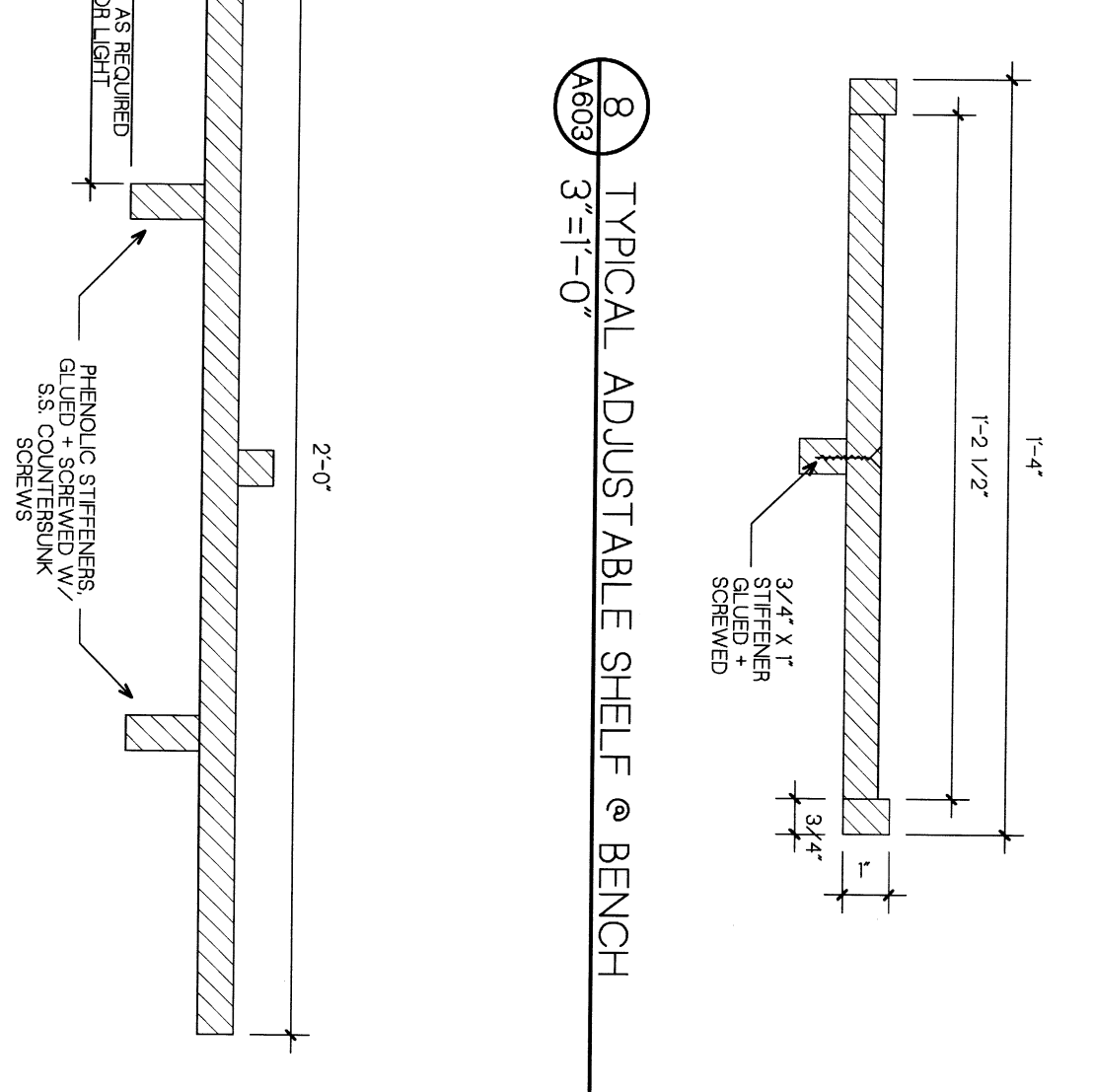
4 DETAIL CABINET BASE
A603 3'-1'-0"



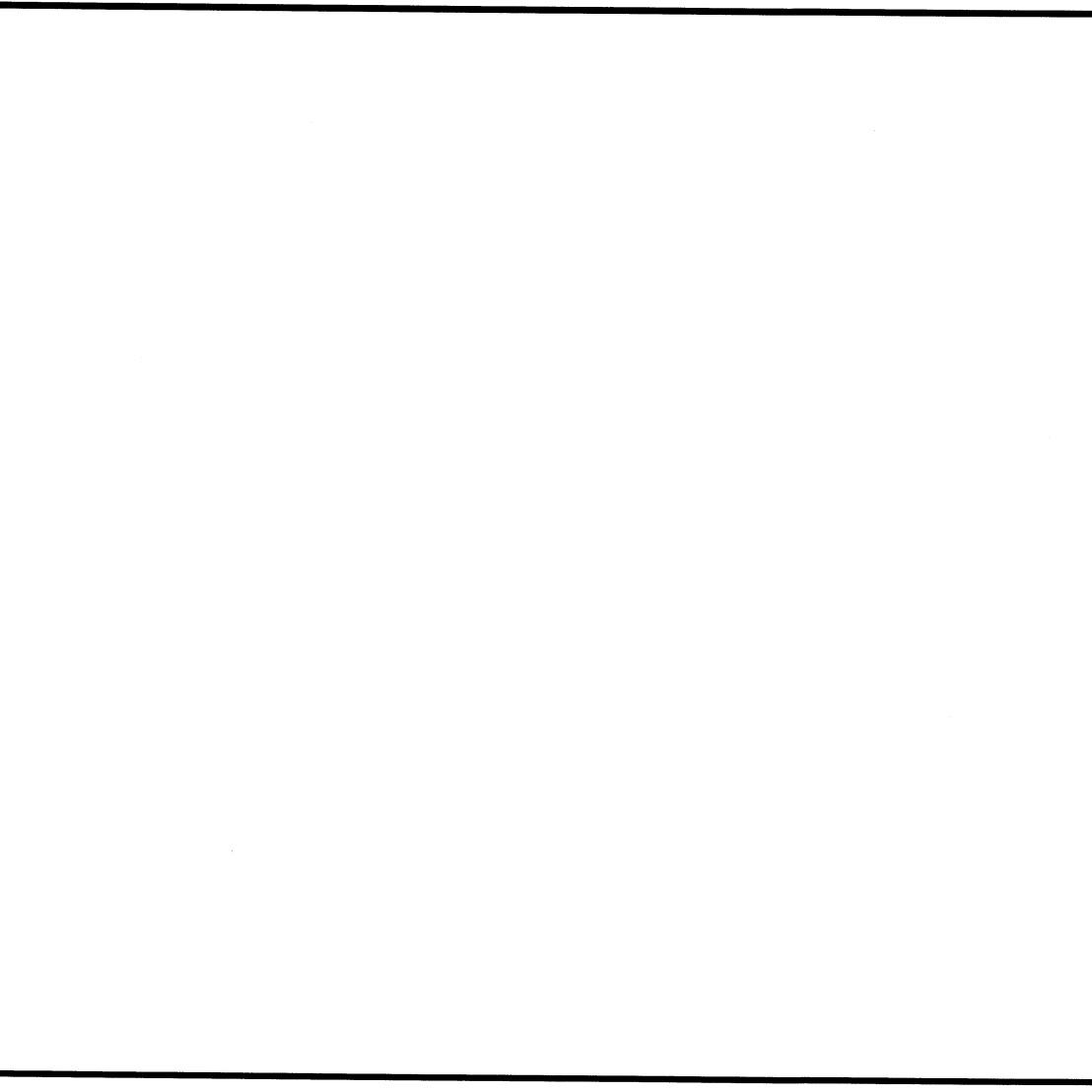
5 TYPICAL BENCH SECTION
A603 1 1/2'-1'-0"



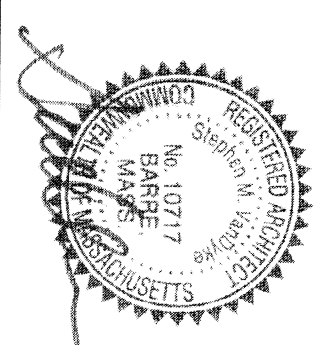
6 TYPICAL BENCH ELEVATION
A603 1 1/2'-1'-0"



7 REMOVABLE DESK DIVIDER
A603 1 1/2'-1'-0"



8 TYPICAL ADJUSTABLE SHELF @ BENCH
A603 3'-1'-0"



KEY PLAN (NOT TO SCALE)

20% CD SUBMISSION	NO. 1020		
50% CD SUBMISSION	NO. 1020		
BD SET	NO. 1020		
DESCRIPTION	BY	APPD	DATE
UNIVERSITY OF MASSACHUSETTS AMHERST MORRILL II ROOMS 338/338 RENOVATIONS			
CASEWORK ELEVATIONS			
BY	DATE	APPD	DATE
AC	11/17/17	AC	11/17/17
THO	03-00759	THO	03-00759
CD	AS NOTED	CD	AS NOTED
REV	NO.	DESCRIPTION	DATE
1			
2			
3			
4			
5			
6			
7			
8			
9			
10			
11			
12			
13			
14			
15			
16			
17			
18			
19			
20			
21			
22			
23			
24			
25			
26			
27			
28			
29			
30			
31			
32			
33			
34			
35			
36			
37			
38			
39			
40			
41			
42			
43			
44			
45			
46			
47			
48			
49			
50			
51			
52			
53			
54			
55			
56			
57			
58			
59			
60			
61			
62			
63			
64			
65			
66			
67			
68			
69			
70			
71			
72			
73			
74			
75			
76			
77			
78			
79			
80			
81			
82			
83			
84			
85			
86			
87			
88			
89			
90			
91			
92			
93			
94			
95			
96			
97			
98			
99			
100			

D-A-127-09-001759-A603