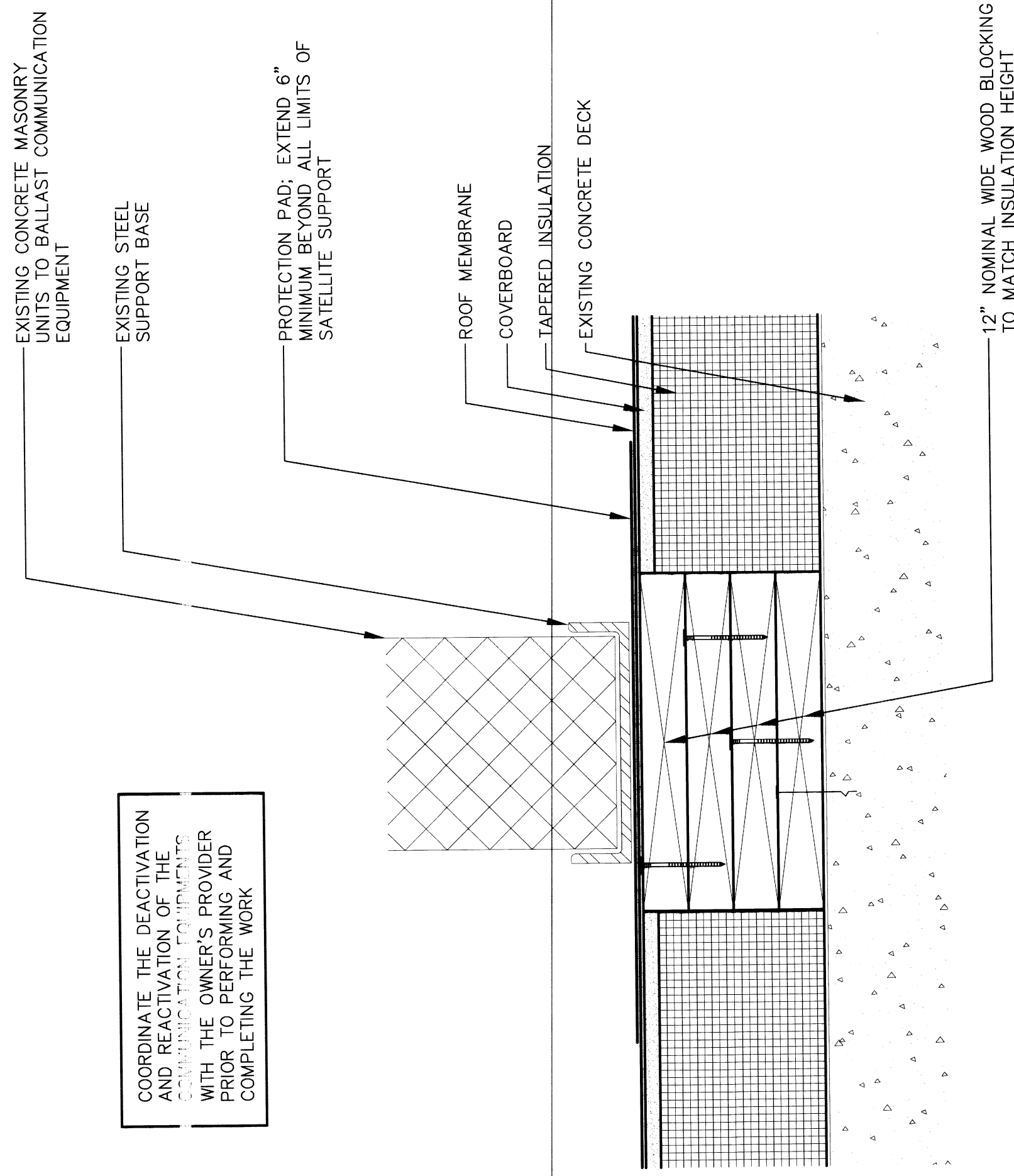
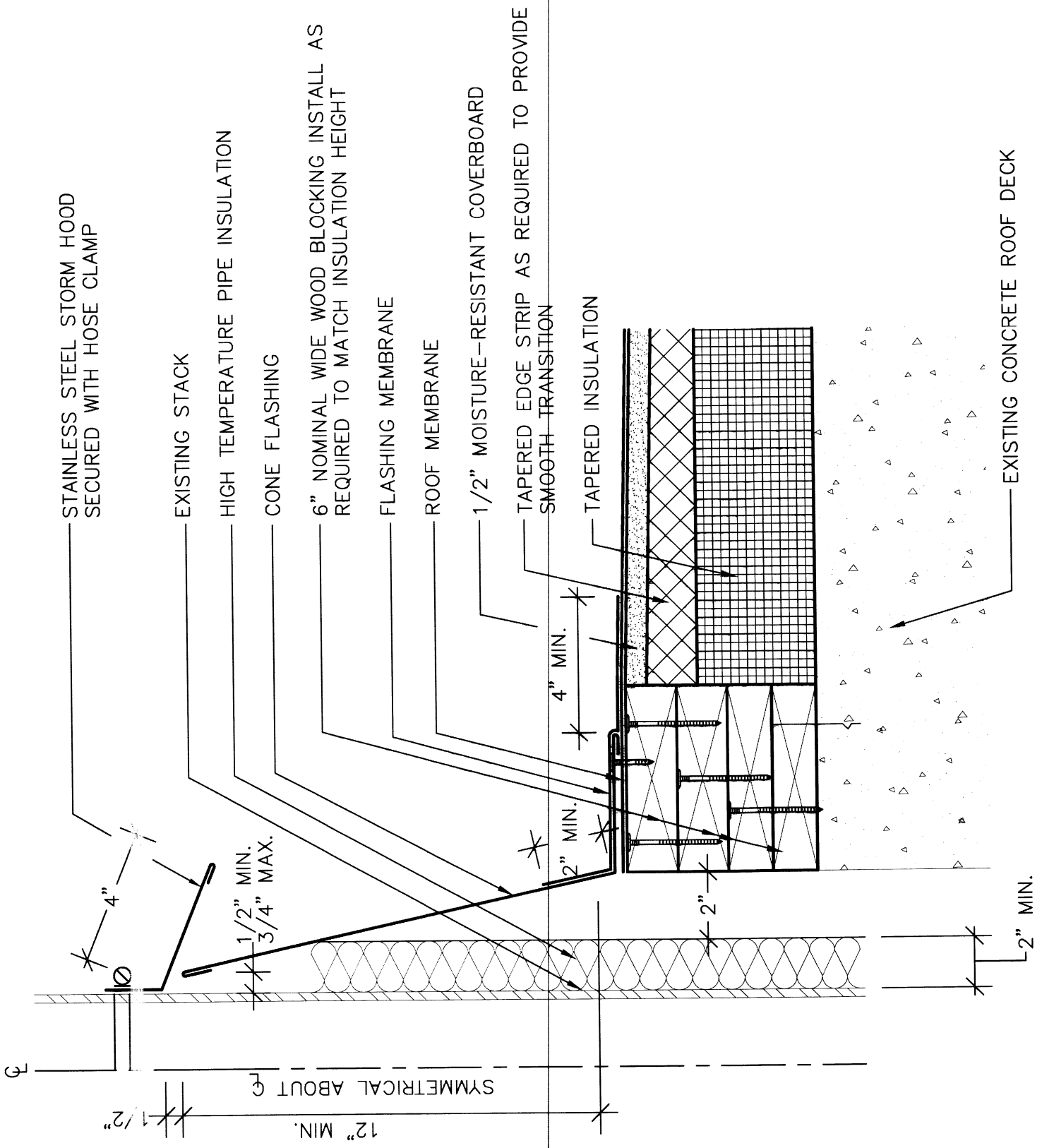


WORK DESIGNATION SYMBOLS	
	GENERAL CONTRACTOR
	ROOFING SUB-CONTRACTOR
	PLUMBING SUB-CONTRACTOR
	MASONRY SUB-CONTRACTOR
	ABATEMENT SUB-CONTRACTOR
	LIGHTNING PROTECTION SUB-CONTRACTOR



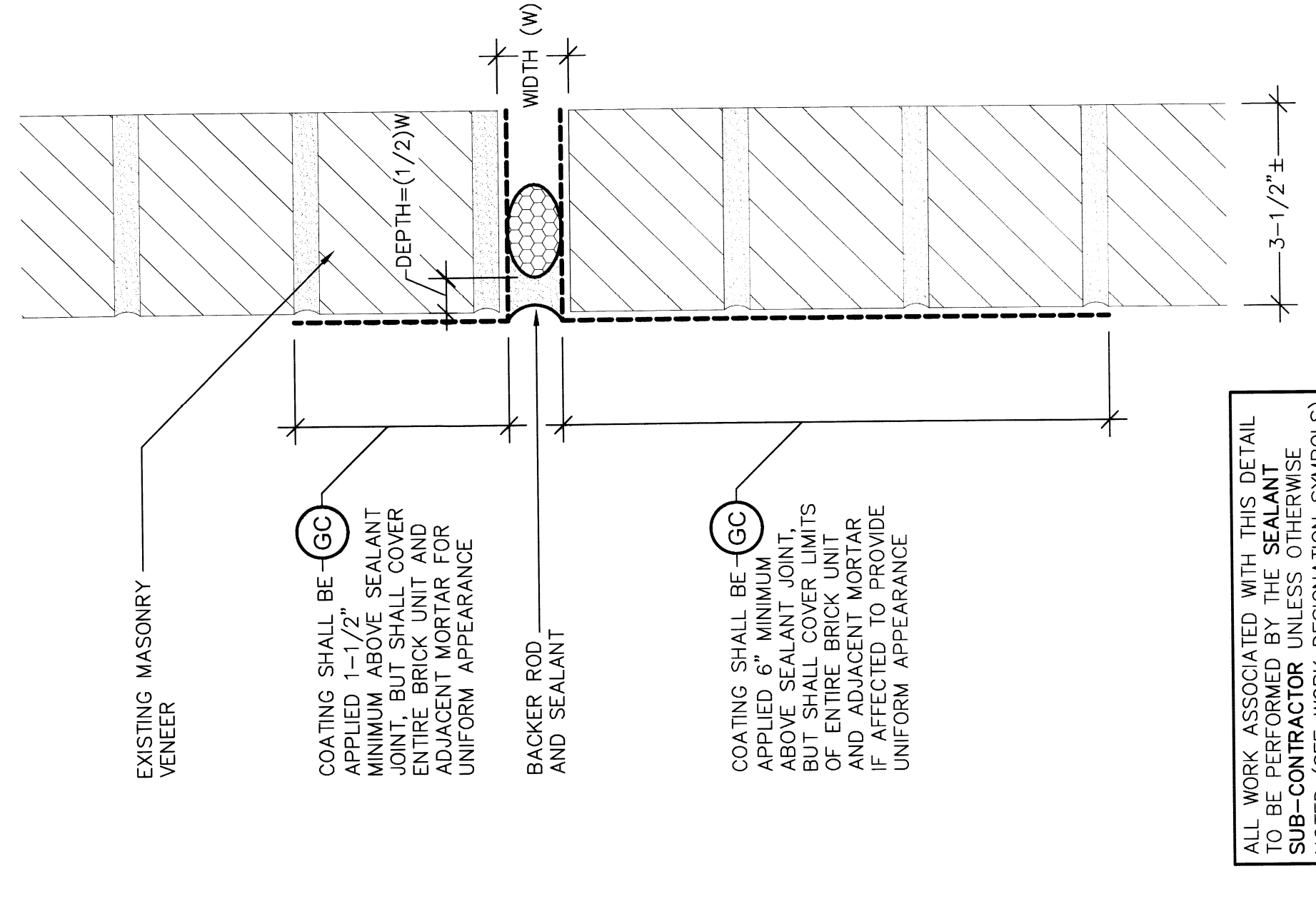
23. EMERGENCY INTERCOM SUPPORT
 ALL WORK ASSOCIATED WITH THIS DETAIL TO BE PERFORMED BY THE ROOFING SUB-CONTRACTOR

SCALE: 3" = 1'-0"
 ALL ITEMS ARE NEW UNLESS SPECIFIED AS EXISTING



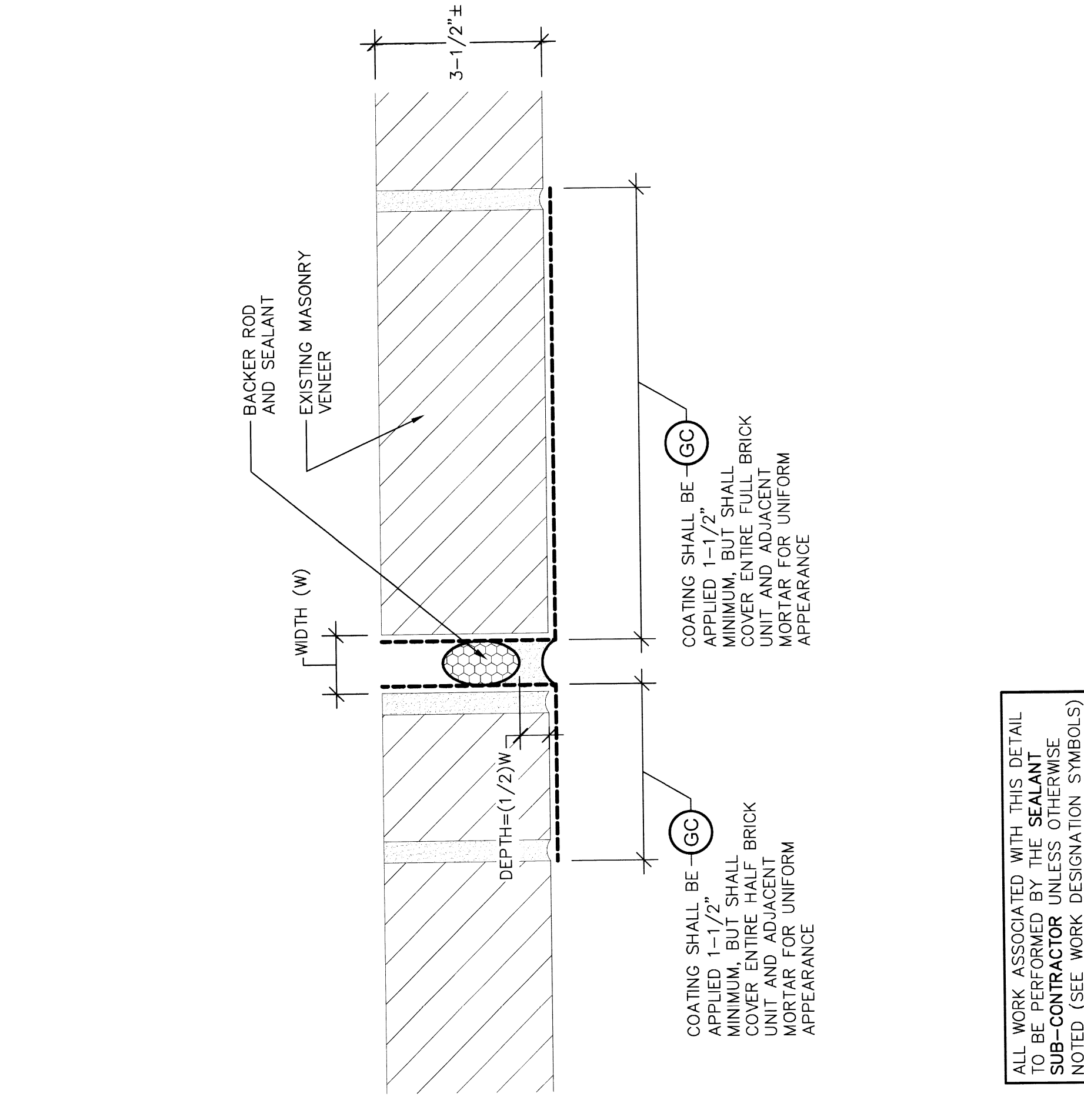
24. EXHAUST PIPE - ROOF AREA F
 ALL WORK ASSOCIATED WITH THIS DETAIL TO BE PERFORMED BY THE ROOFING SUB-CONTRACTOR

SCALE: 3" = 1'-0"
 ALL ITEMS ARE NEW UNLESS SPECIFIED AS EXISTING



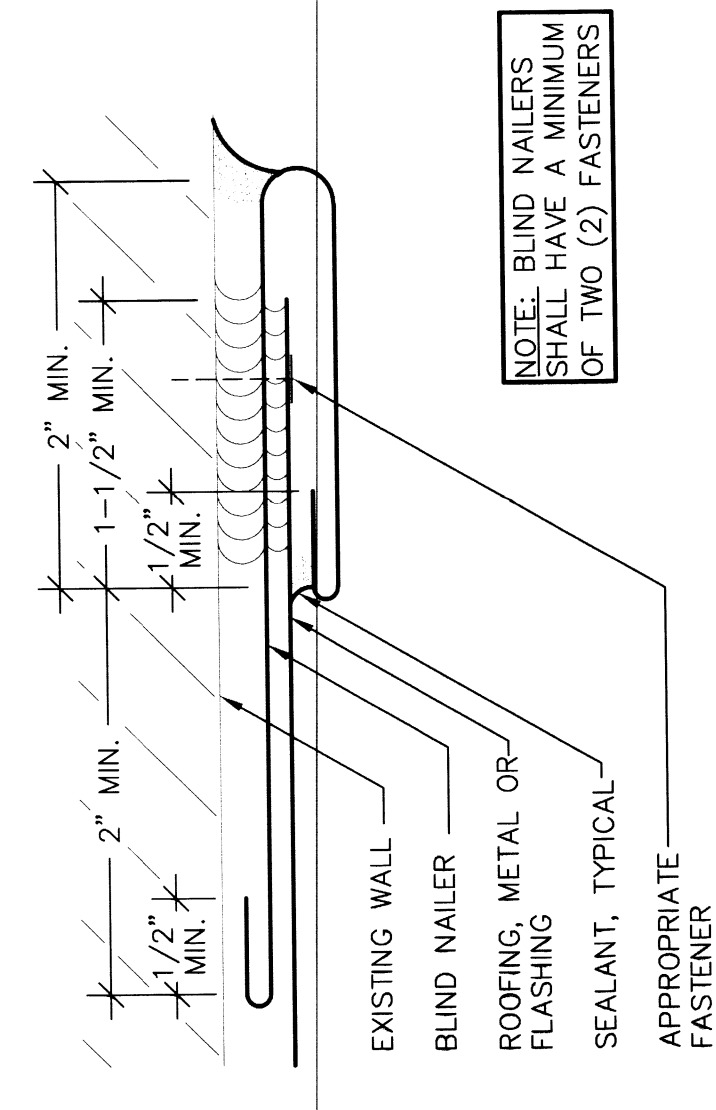
26. TYPICAL HORIZONTAL CONTROL JOINT
 ALL WORK ASSOCIATED WITH THIS DETAIL TO BE PERFORMED BY THE SEALANT SUB-CONTRACTOR UNLESS OTHERWISE NOTED (SEE WORK DESIGNATION SYMBOLS)

SCALE: NOT TO SCALE
 ALL ITEMS ARE NEW UNLESS SPECIFIED AS EXISTING



27. TYPICAL VERTICAL CONTROL JOINT (PLAN)
 ALL WORK ASSOCIATED WITH THIS DETAIL TO BE PERFORMED BY THE SEALANT SUB-CONTRACTOR UNLESS OTHERWISE NOTED (SEE WORK DESIGNATION SYMBOLS)

SCALE: NOT TO SCALE
 ALL ITEMS ARE NEW UNLESS SPECIFIED AS EXISTING

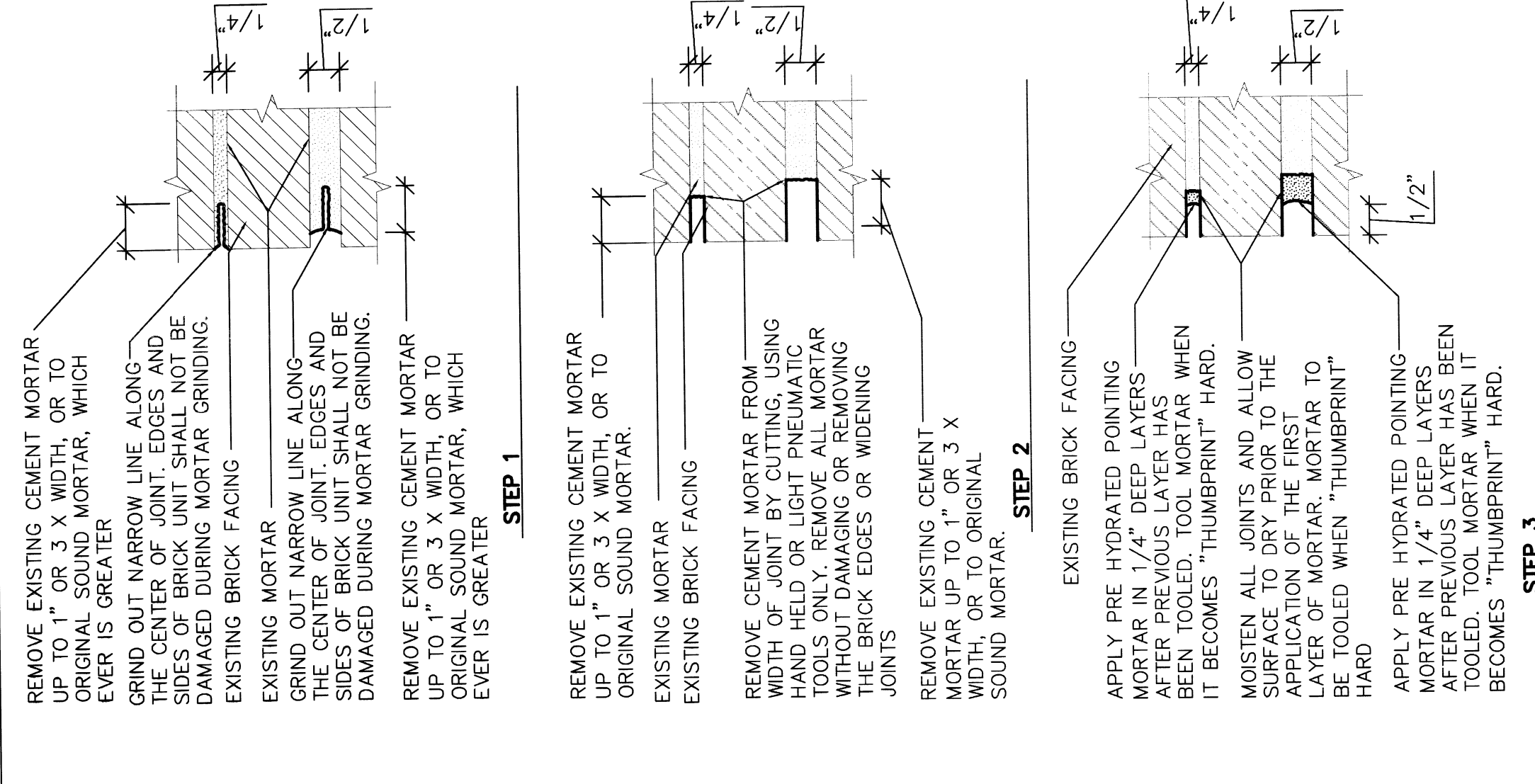


NOTE: BLIND NAILERS SHALL HAVE A MINIMUM OF TWO (2) FASTENERS

ALL WORK ASSOCIATED WITH THIS DETAIL TO BE PERFORMED BY THE APPROPRIATE TRADE AS REQUIRED TO TERMINATE THE INDIVIDUAL SCOPES OF WORK

25. BLIND NAILER
 ALL ITEMS ARE NEW UNLESS SPECIFIED AS EXISTING

SCALE: 3" = 1'-0"
 ALL ITEMS ARE NEW UNLESS SPECIFIED AS EXISTING



28. BRICK MASONRY REPOINTING
 ALL ITEMS ARE NEW UNLESS SPECIFIED AS EXISTING

SCALE: 3" = 1'-0"
 ALL ITEMS ARE NEW UNLESS SPECIFIED AS EXISTING

Gale Associates Inc.
 Engineers - Planners
 182 Liberty Parkway | Weymouth, MA 02190-0004
 P 781.335.6466 F 781.335.6467 www.galeinc.com
 Boston Baltimore Orlando San Francisco

REV. NO.	DESCRIPTION	BY	APP'D	DATE

UNIVERSITY OF MASSACHUSETTS
 FACILITIES AND CAMPUS PLANNING DIVISION

BROWN RESIDENCE HALL
 ROOF AND BUILDING ENVELOPE UPGRADES
 ROOF AND FACADE REPAIR DETAILS

BY	DATE	PROJECT NO.	PROJ.-CONTRACT NO.
DRN. JAW/	3/9/11	10-001715	UMA 11-31
APP'D	CM	SCALE	SHEET
		AS SHOWN	15 OF 15
CKD.	CM	DATE	DRAWING NUMBER
		3/9/11	D-A-426-10-001715-D6
		3/9/11	