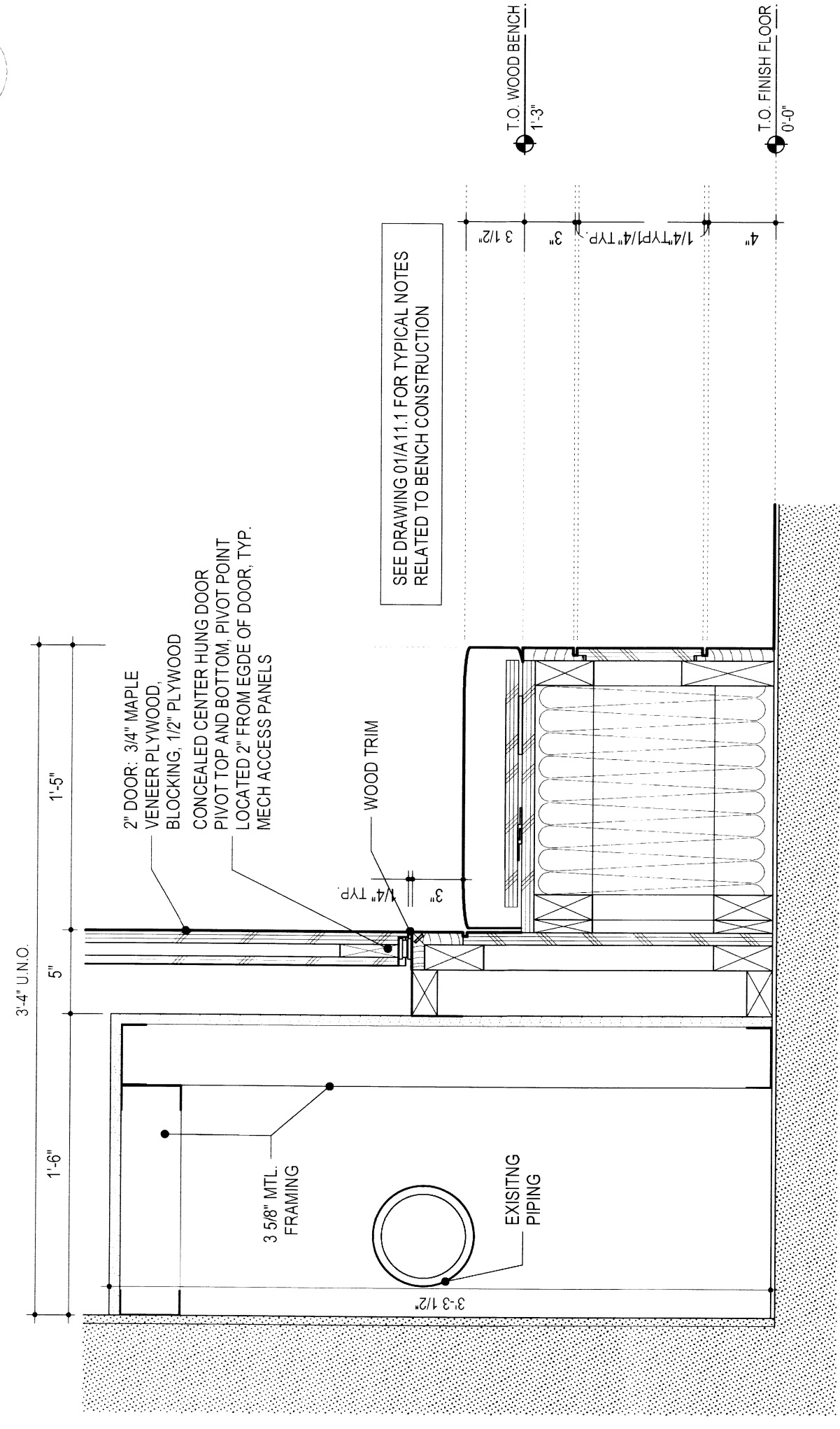
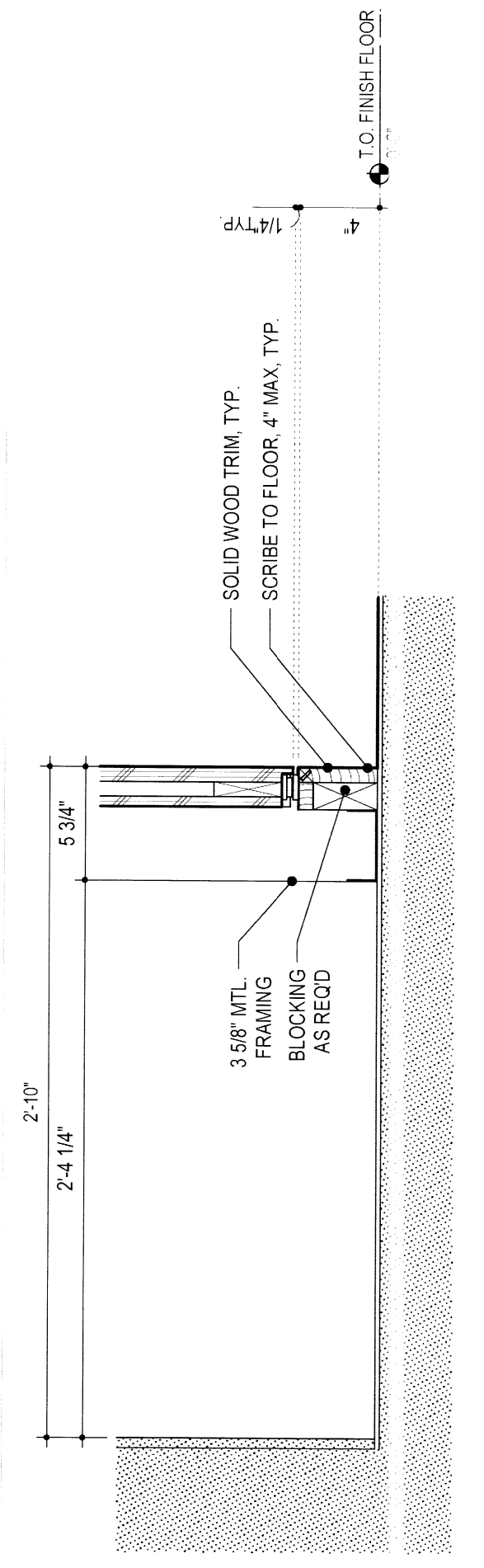


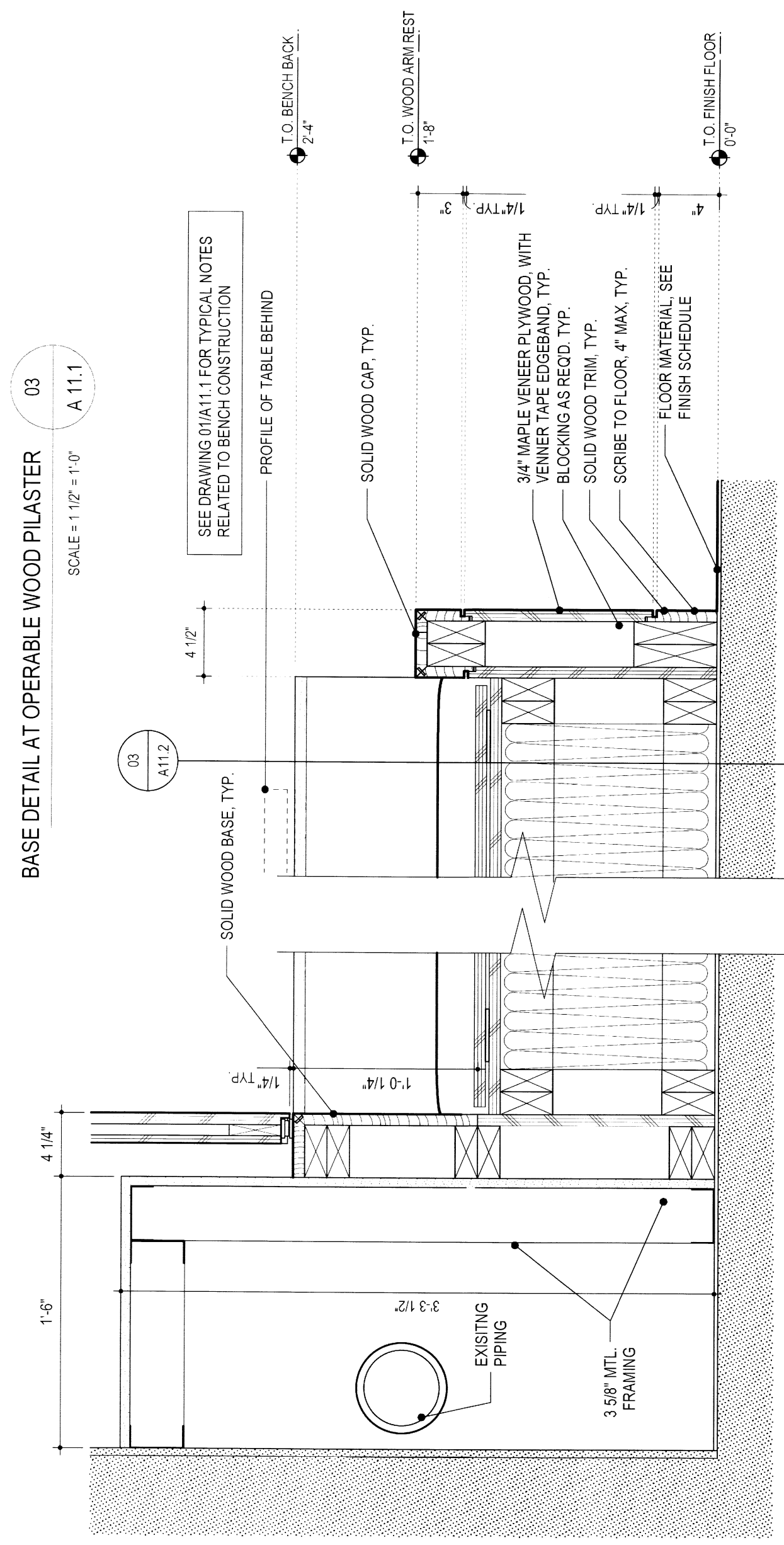
LEWIS CEILING DETAIL AT OPERABLE WOOD PILASTER
SCALE = 1/12" = 1'-0"
A 11.1



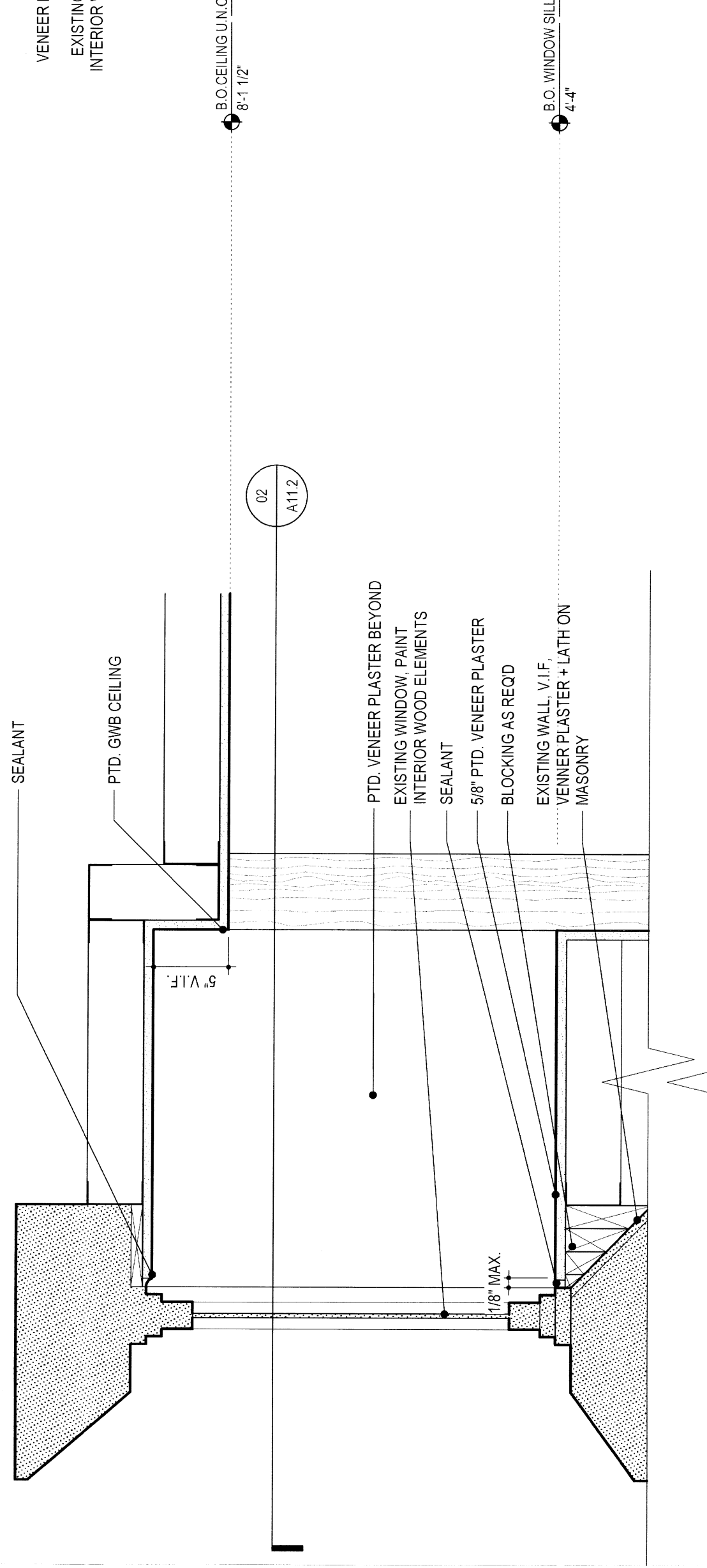
LEWIS BENCH DETAIL AT OPERABLE WOOD PILASTER
SCALE = 1/12" = 1'-0"
A 11.1



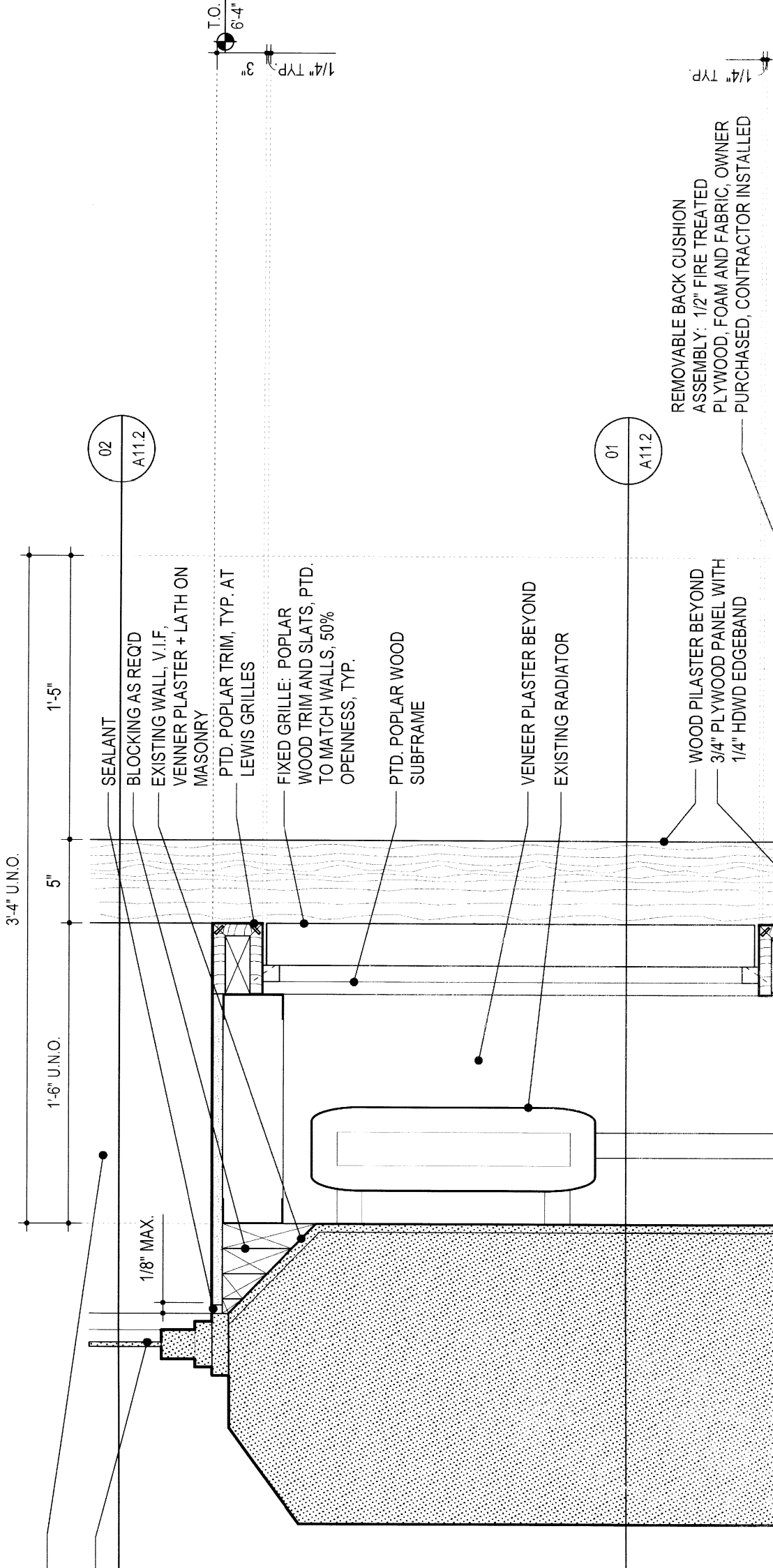
BASE DETAIL AT OPERABLE WOOD PILASTER
SCALE = 1/12" = 1'-0"
A 11.1



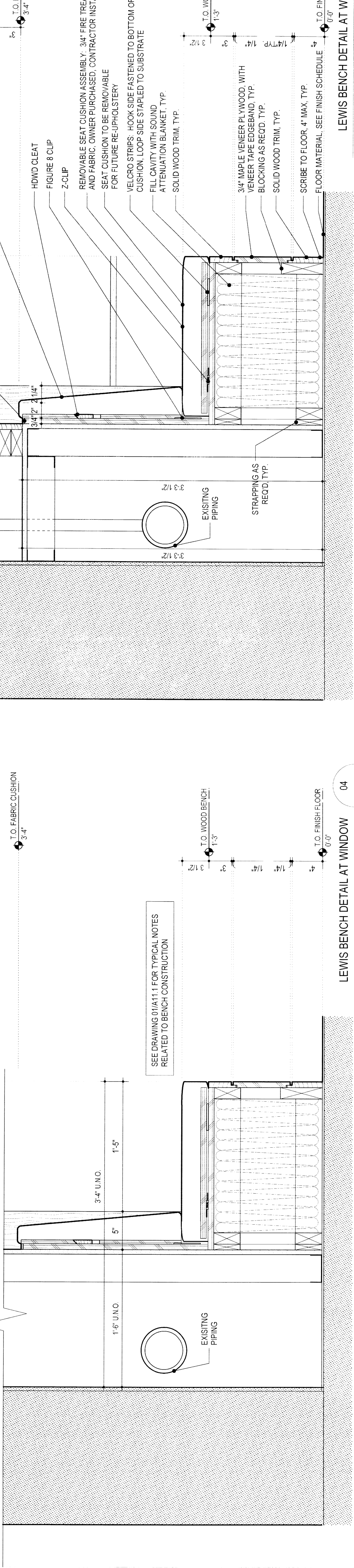
LEWIS BOOTH BENCH DETAIL
SCALE = 1/12" = 1'-0"
A 11.1



LEWIS BENCH DETAIL AT WINDOW
SCALE = 1/12" = 1'-0"
A 11.1



LEWIS BENCH DETAIL AT WINDOW
SCALE = 1/12" = 1'-0"
A 11.1



LEWIS BENCH DETAIL AT WINDOW
SCALE = 1/12" = 1'-0"
A 11.1

0 1 2 3 4 FT
1 1/2" = 1'-0"

23 MARCH 2011

REV. NO.	DESCRIPTION	BY	APPD.	DATE
01	UNIVERSITY OF MASSACHUSETTS FACILITIES PLANNING DIVISION			
02	LEWIS HALL & THATCHER HALL			
03	FINISH UPGRADE 2011			
04	WOODWORK SECTION DETAILS			

DRN.	AK	DATE	PROJECT NO.	CONTRACT NO.
APPD.	AK	10/08/2001	UMA 10-010	UMA 10-010
CAD.	AK	11/27/10	SCALE	11/27/10
APPD.	AK	11/27/10	SHEET	OF
APPD.	AK	11/27/10	DRAWING NUMBER	A 11.1
APPD.	AK	11/27/10	LEWIS & THATCHER	

