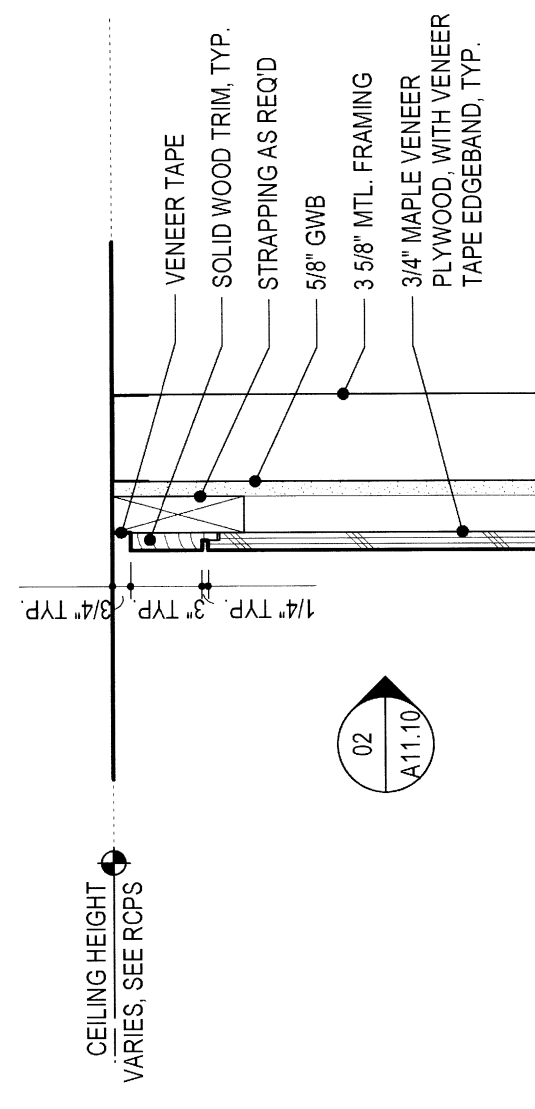
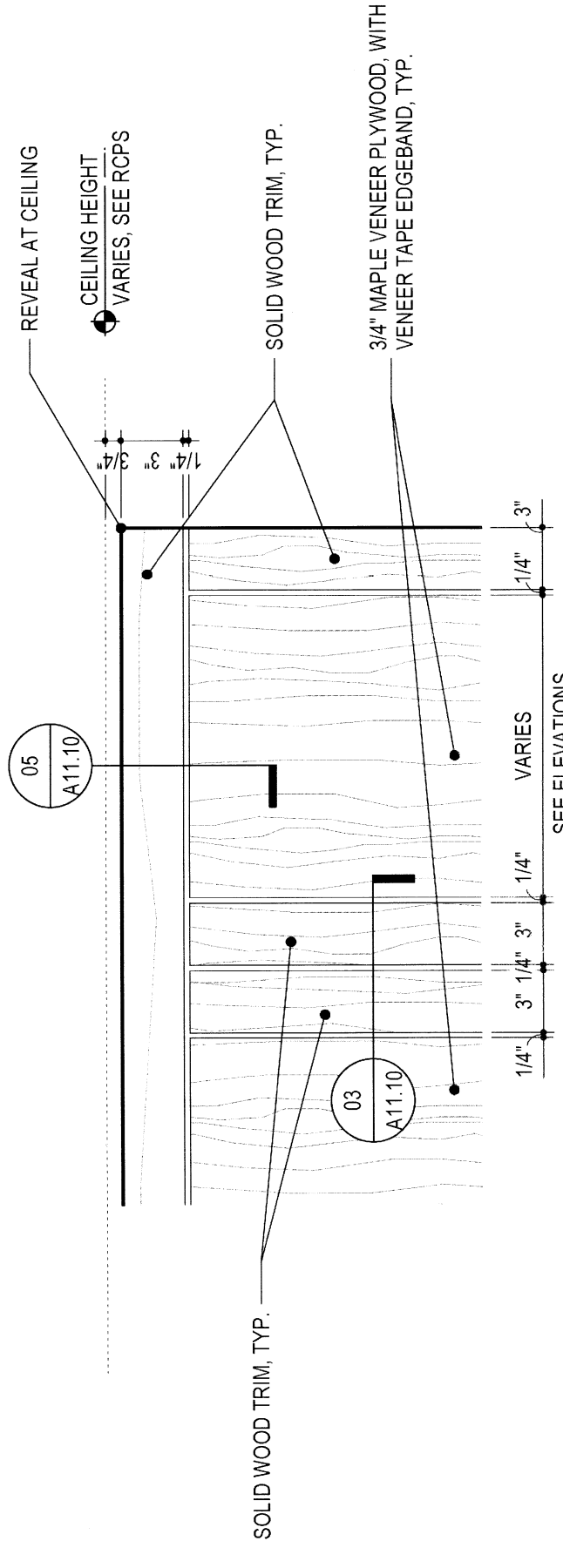


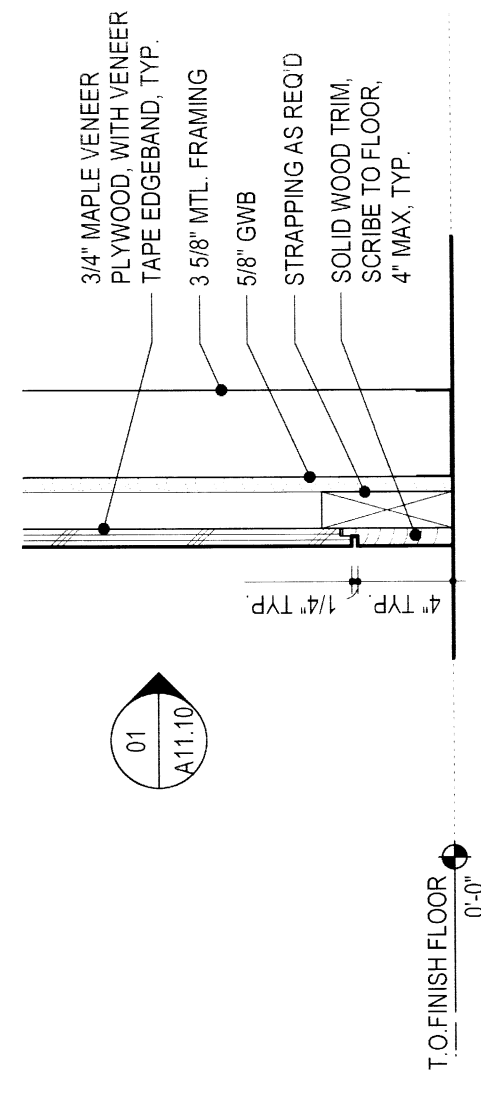
TYPICAL WOOD PANEL PLAN DETAIL AT CENTER PANEL JOINTS 03
SCALE = 1 1/2" = 1'-0" A 11.10



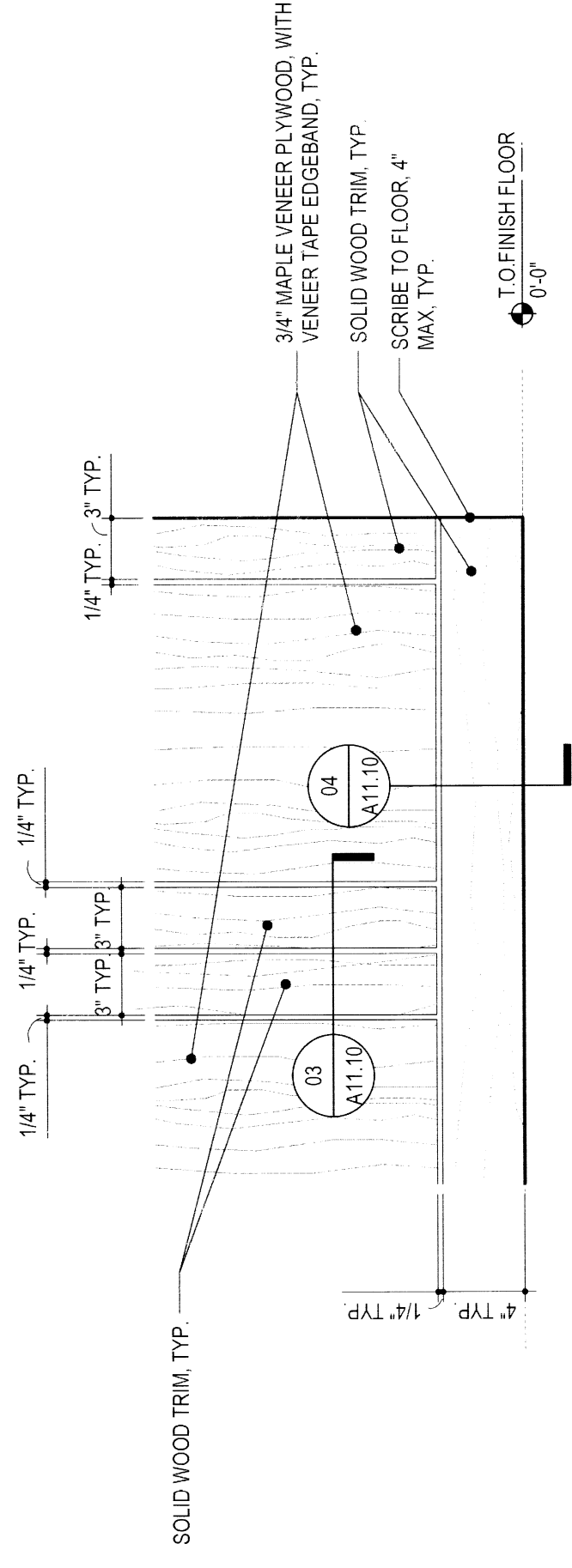
TYPICAL WOOD PANEL SECTION DETAIL AT CEILING 05
SCALE = 1 1/2" = 1'-0" A 11.10



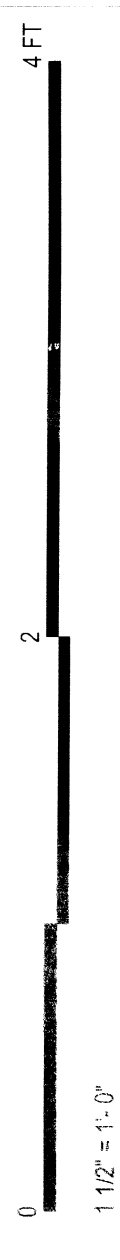
TYPICAL WOOD PANEL ELEVATION AT CEILING 02
SCALE = 1 1/2" = 1'-0" A 11.10



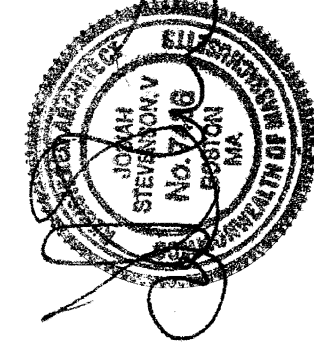
TYPICAL WOOD PANEL SECTION DETAIL AT BASE 04
SCALE = 1 1/2" = 1'-0" A 11.10



TYPICAL WOOD PANEL ELEVATION AT BASE 01
SCALE = 1 1/2" = 1'-0" A 11.10



23 MARCH 2011



UNIVERSITY OF MASSACHUSETTS
FACILITIES PLANNING DIVISION

LEWIS HALL & THATCHER HALL
FINISH UPGRADE 2011
WOODWORK DETAILS

REV. NO.	DESCRIPTION	BY	APPD.	DATE
DRWL.	AK			
APPD.	ASL			
CVD.				
APPD.				

PROJECT NO.	CONTRACT NO.
000076501	000076501
SCALE	1 1/2" = 1'-0"
SHEET	GF
DRAWING NUMBER	LEWIS & THATCHER
	A 11.10