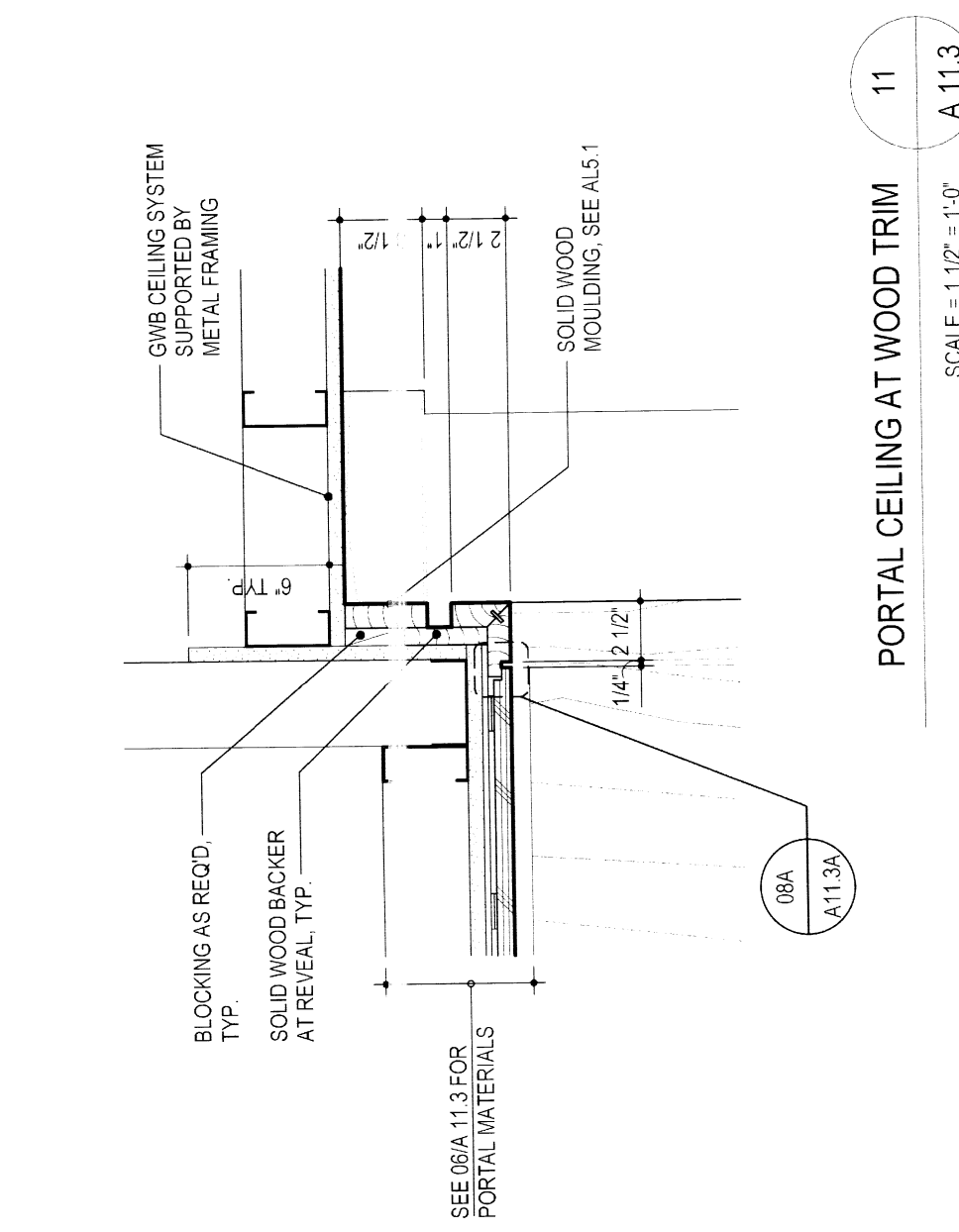
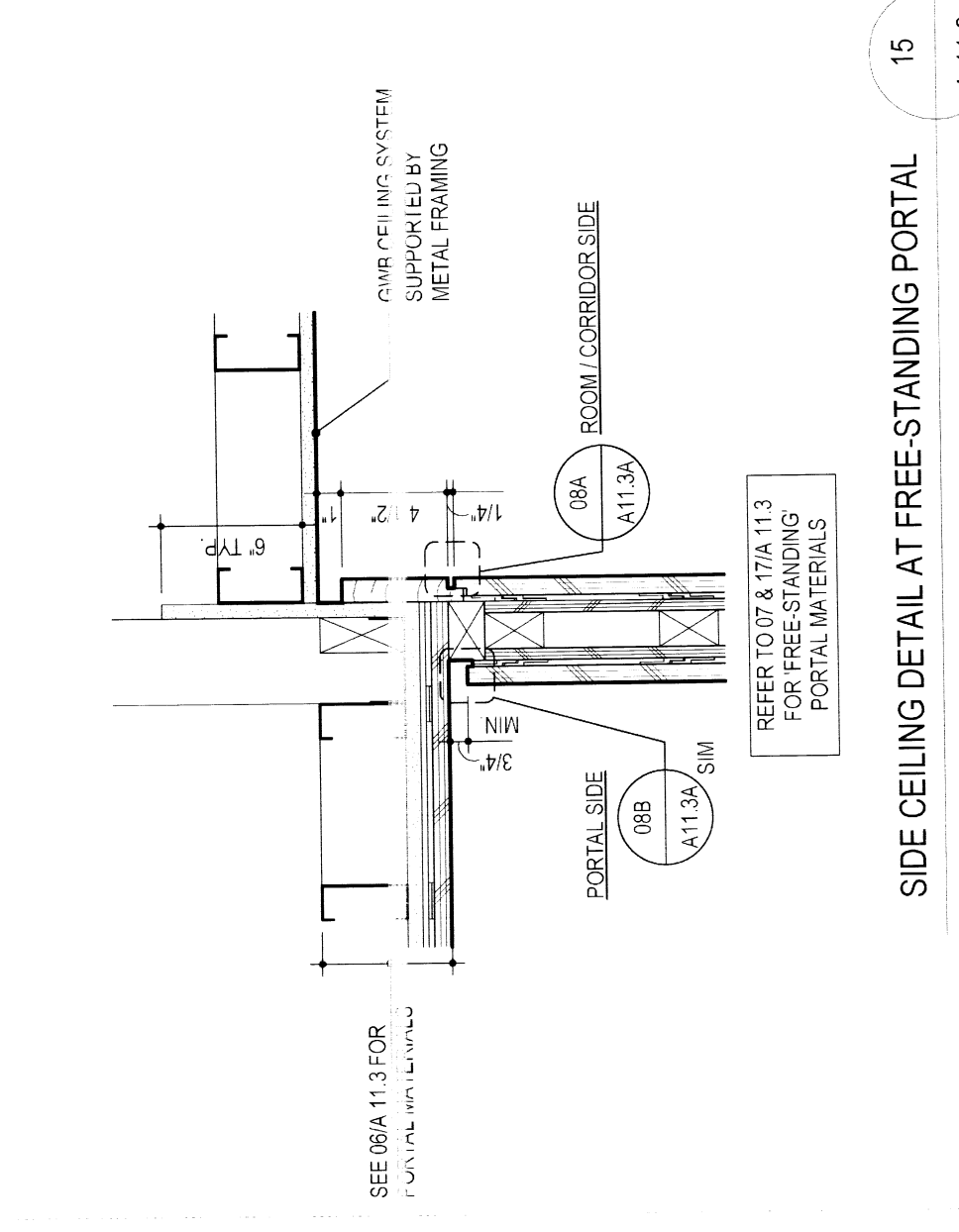


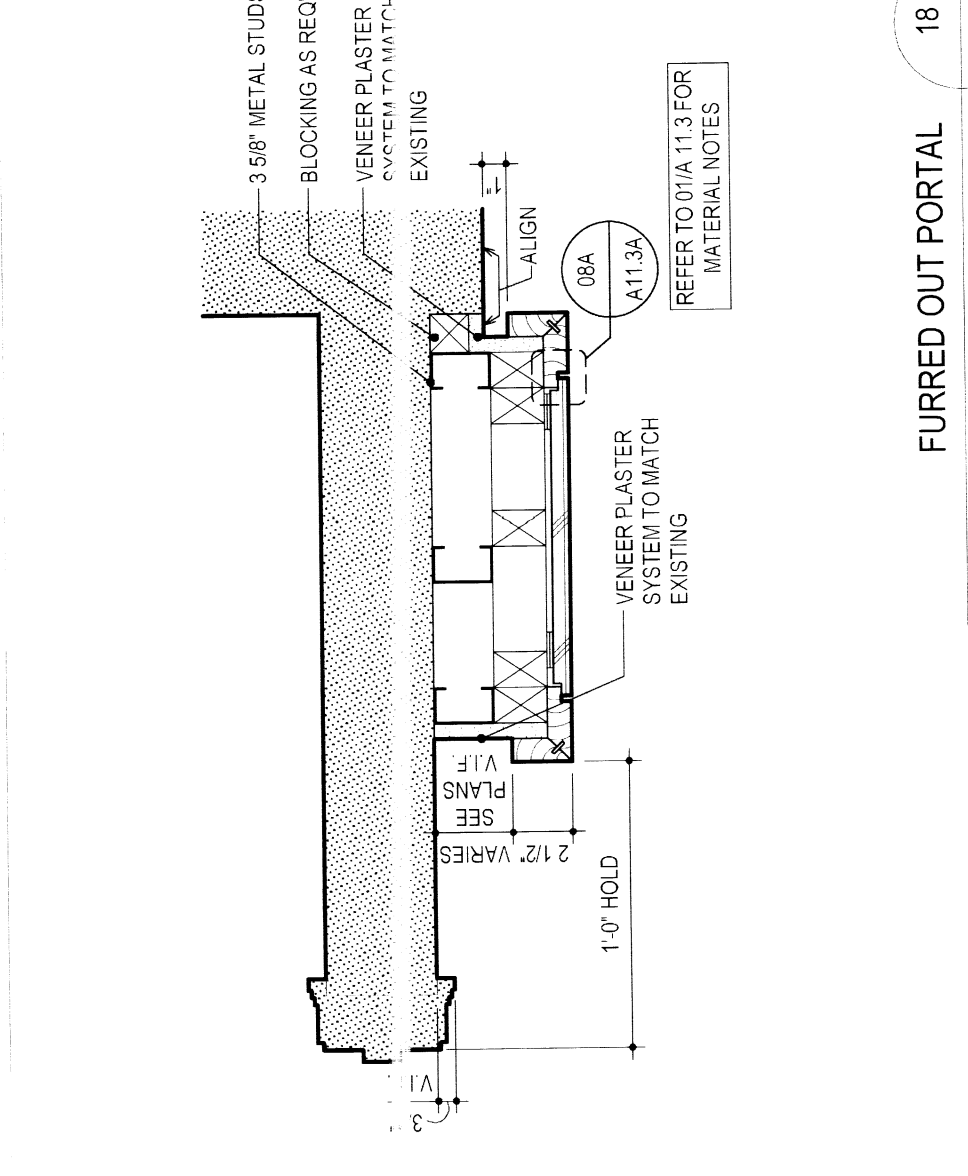
07
DOOR HEAD AT PORTAL
SCALE = 1/12" = 1'-0"
A 11.3



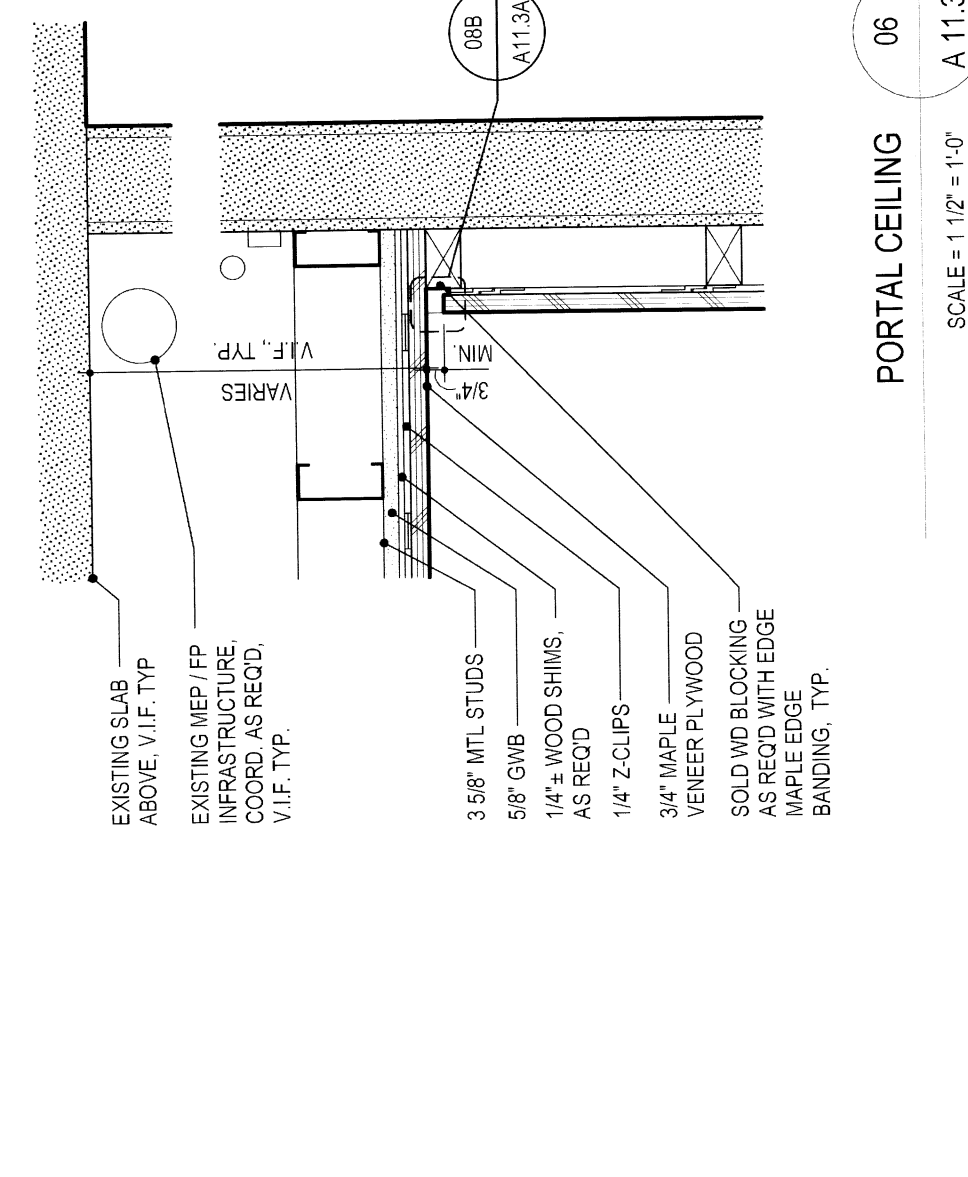
11
PORTAL CEILING AT WOOD TRIM
SCALE = 1/12" = 1'-0"
A 11.3



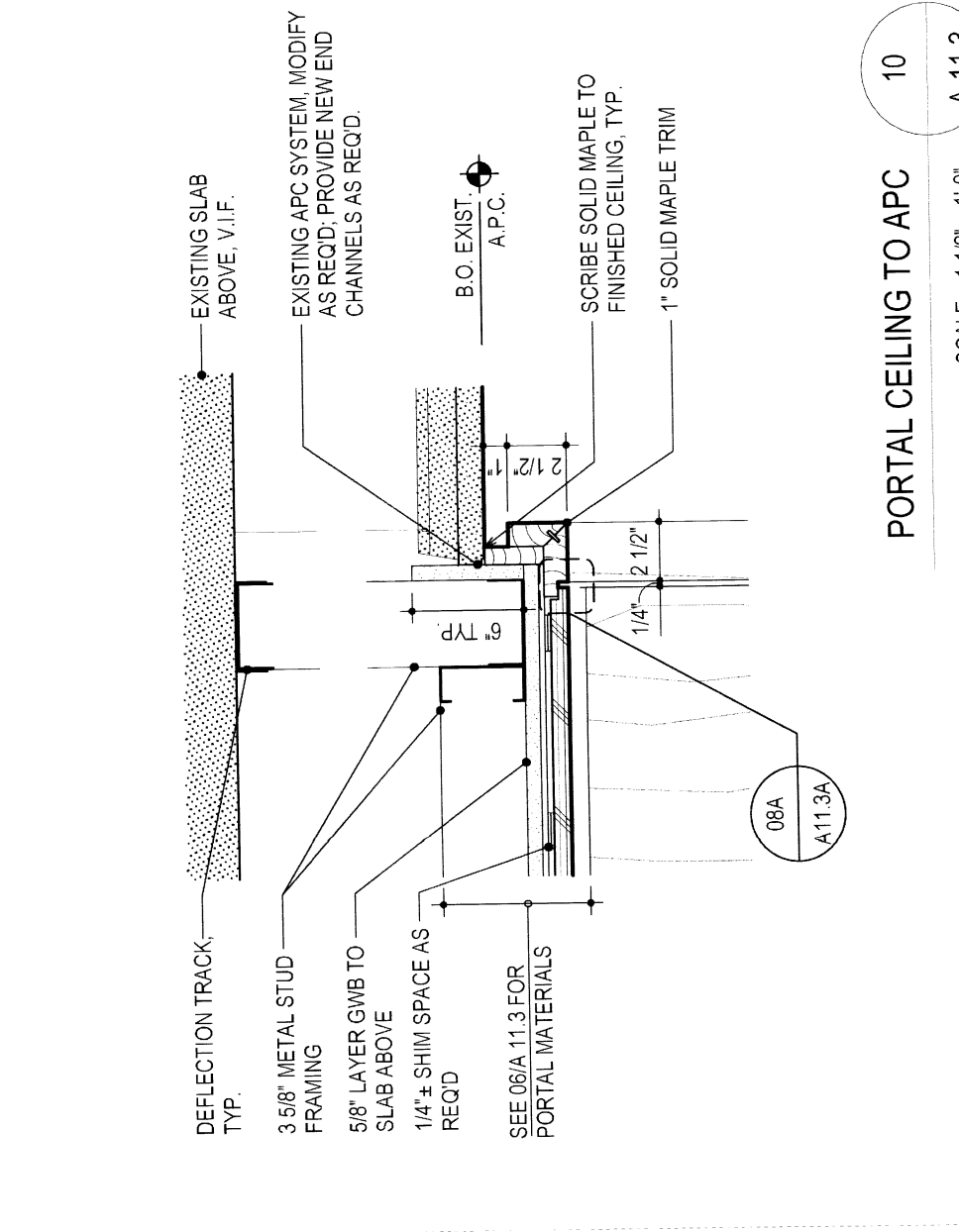
15
SIDE CEILING DETAIL AT FREE-STANDING PORTAL
SCALE = 1/12" = 1'-0"
A 11.3



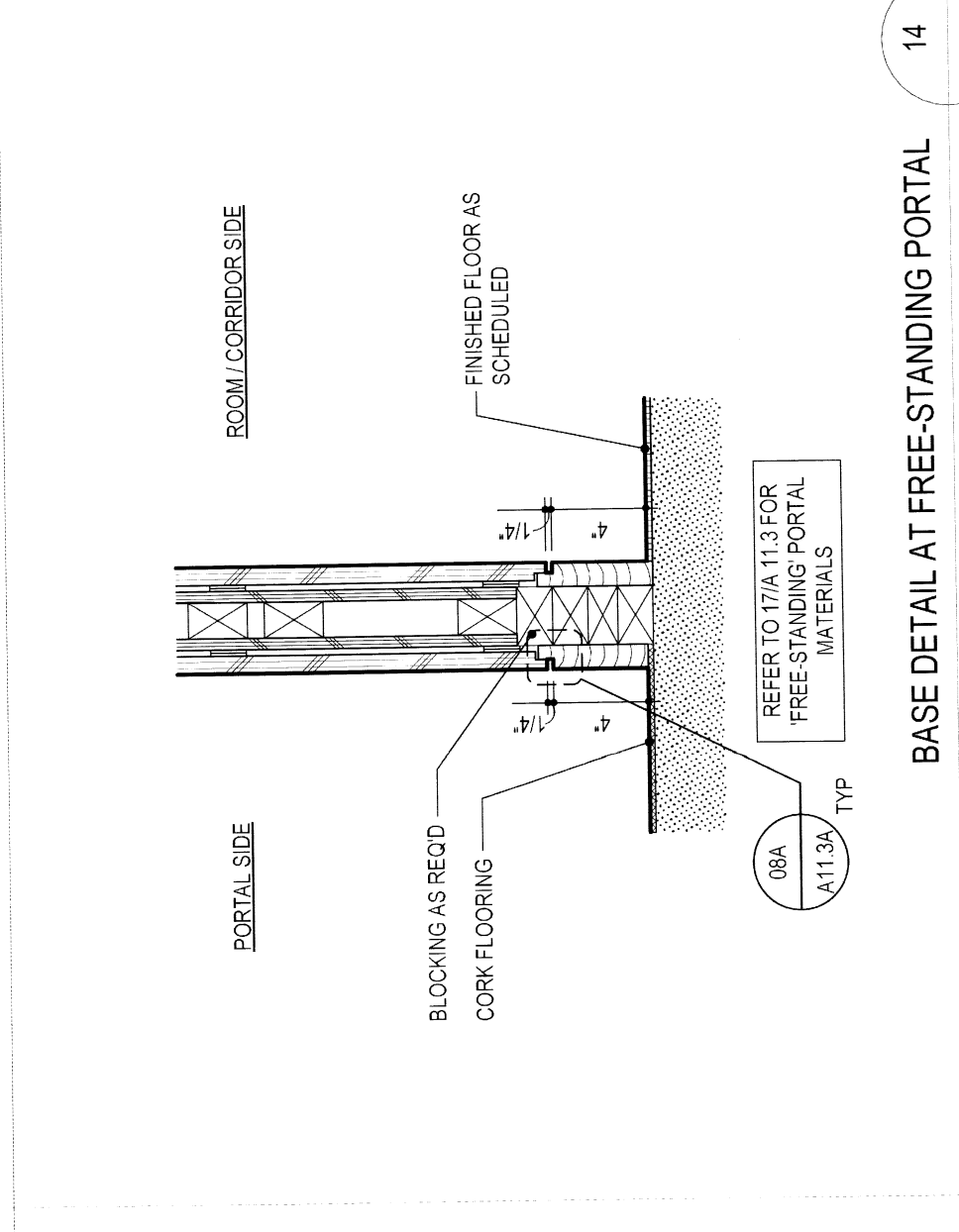
18
FURRED OUT PORTAL
SCALE = 1/12" = 1'-0"
A 11.3



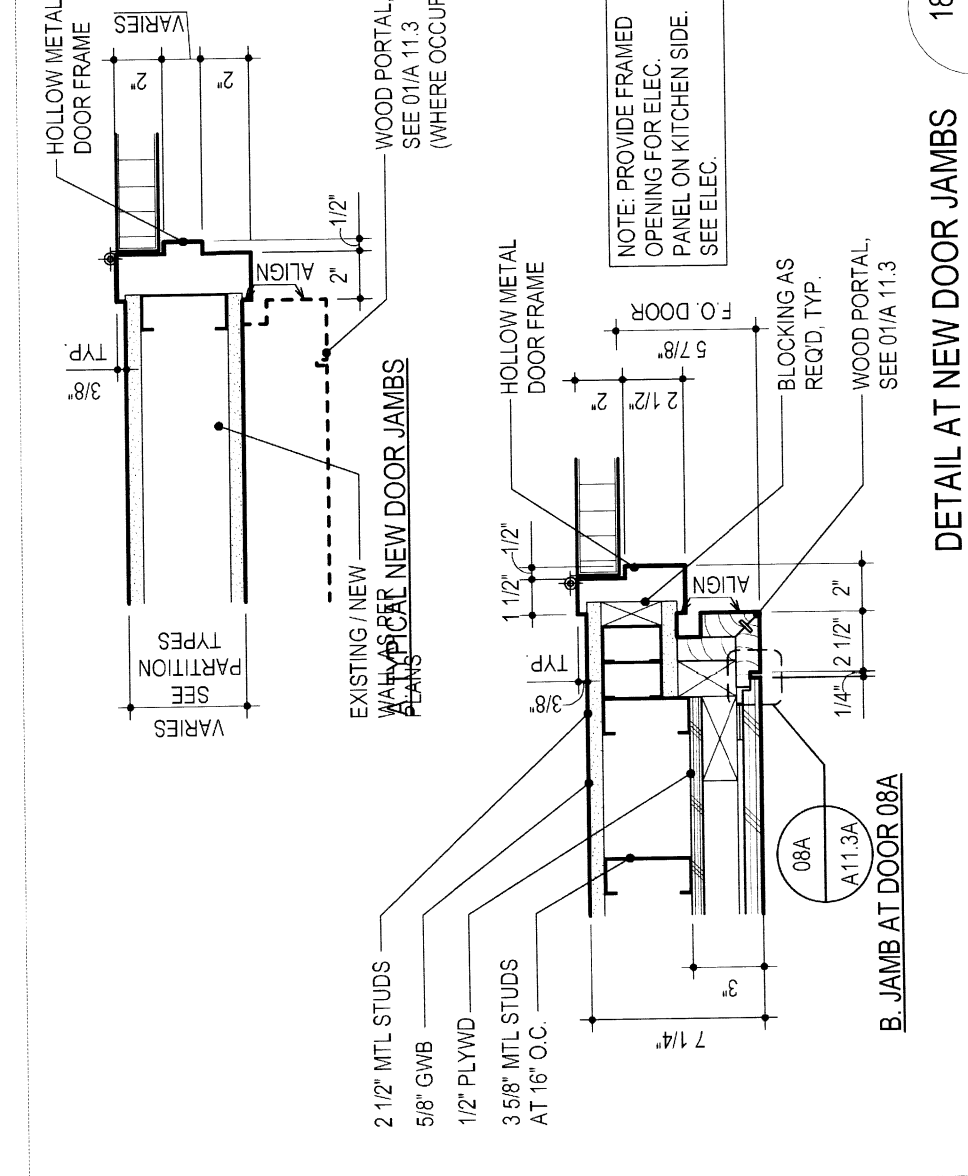
06
PORTAL CEILING
SCALE = 1/12" = 1'-0"
A 11.3



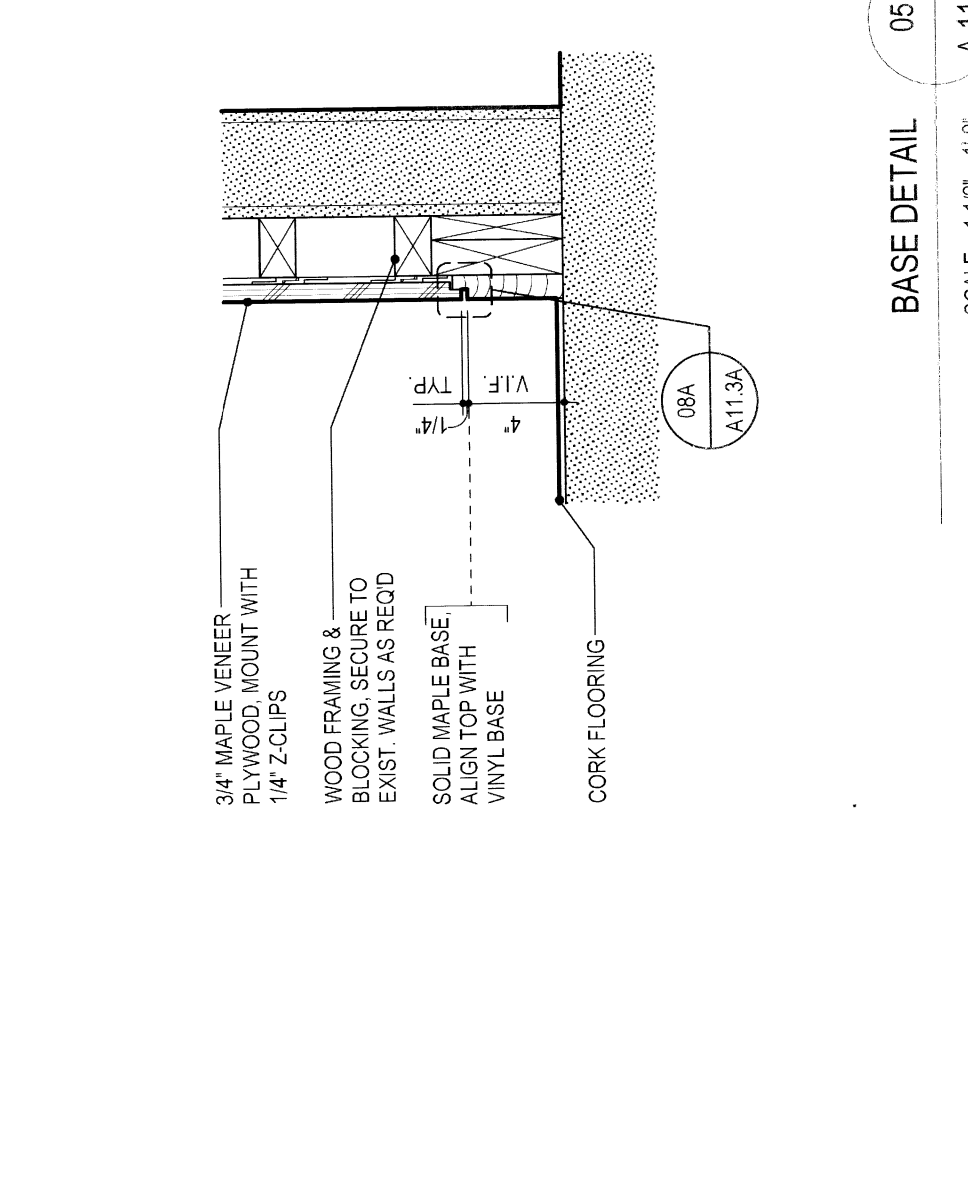
10
PORTAL CEILING TO APC
SCALE = 1/12" = 1'-0"
A 11.3



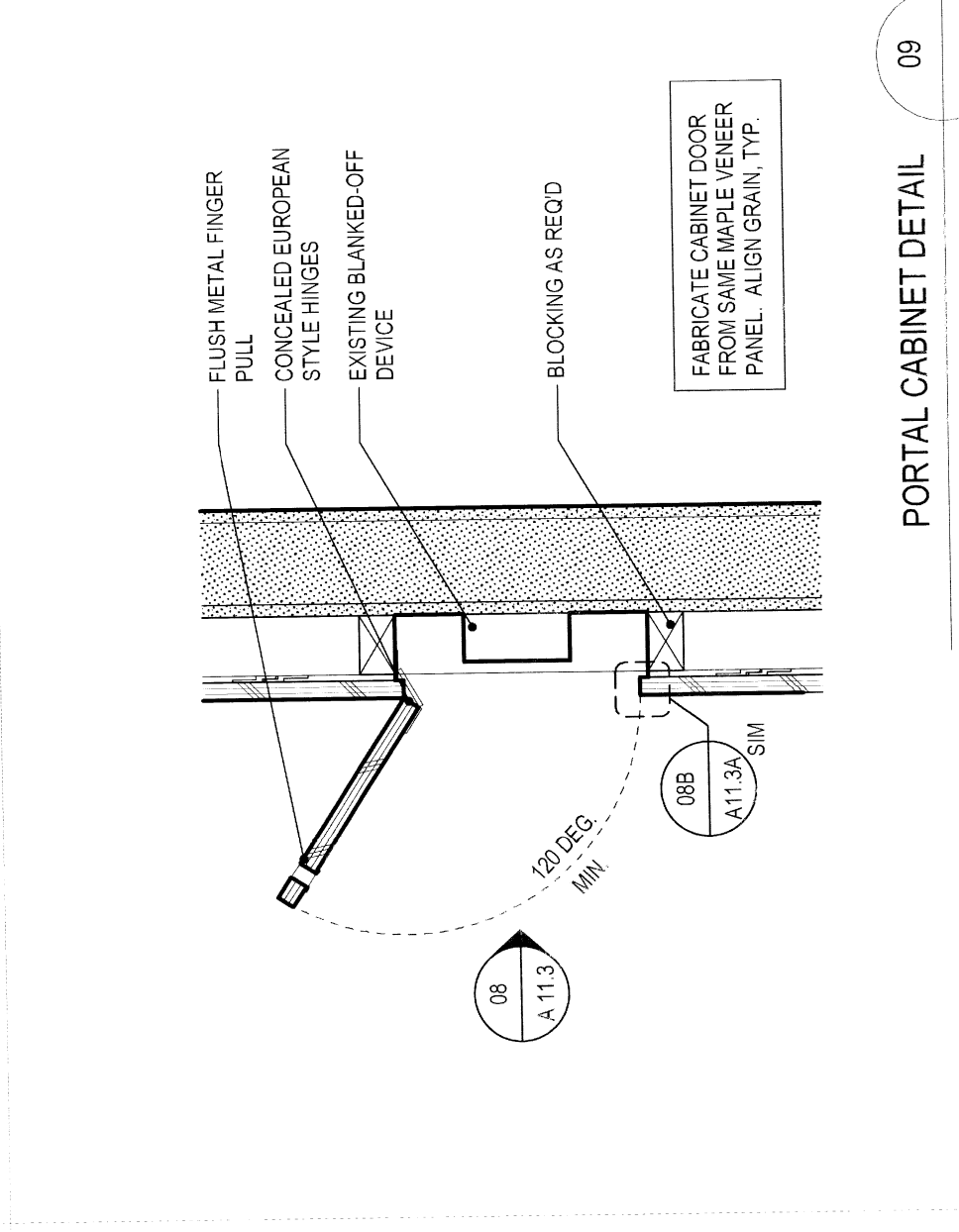
14
BASE DETAIL AT FREE-STANDING PORTAL
SCALE = 1/12" = 1'-0"
A 11.3



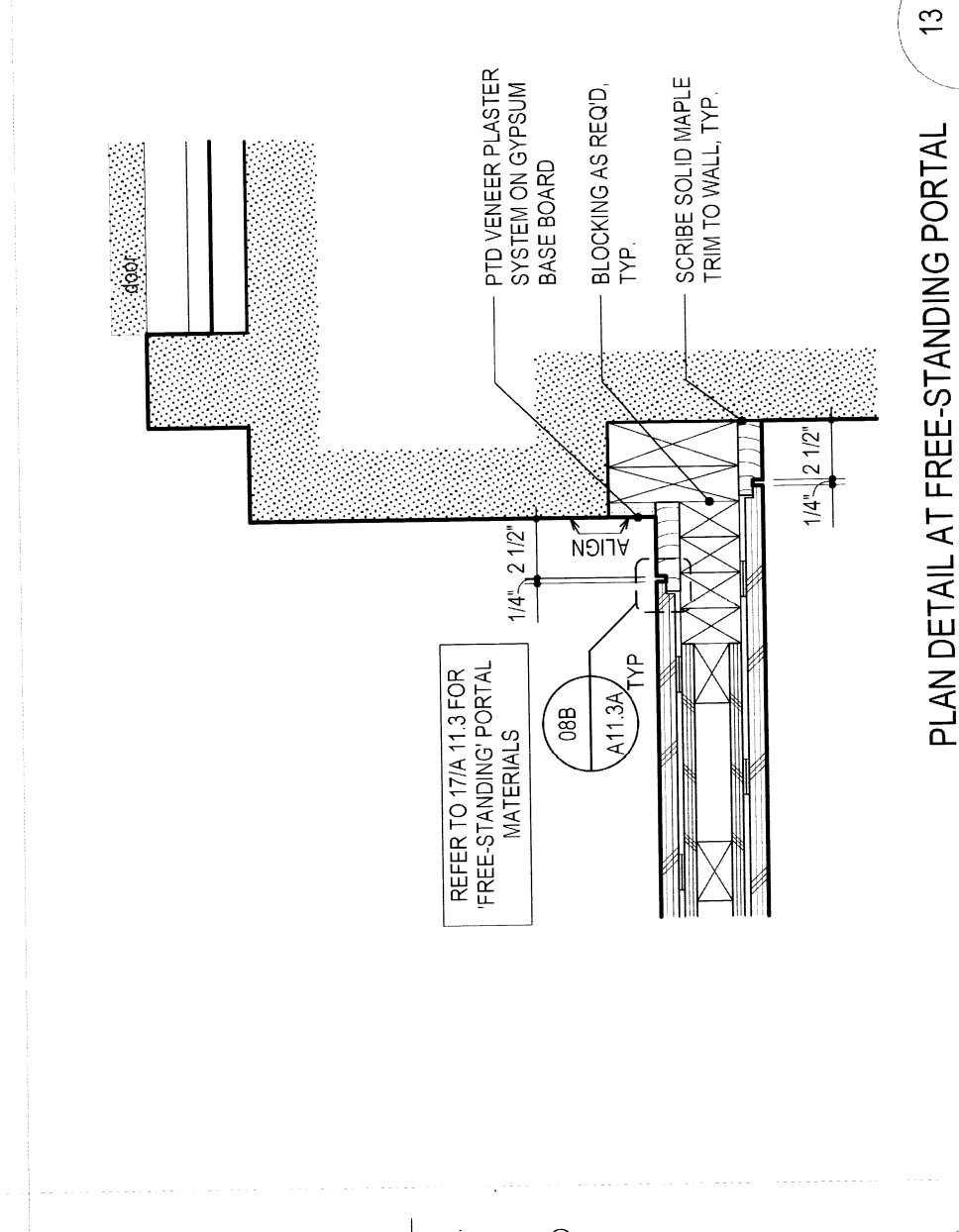
18
DETAIL AT NEW DOOR JAMBS
SCALE = 1/12" = 1'-0"
A 11.3



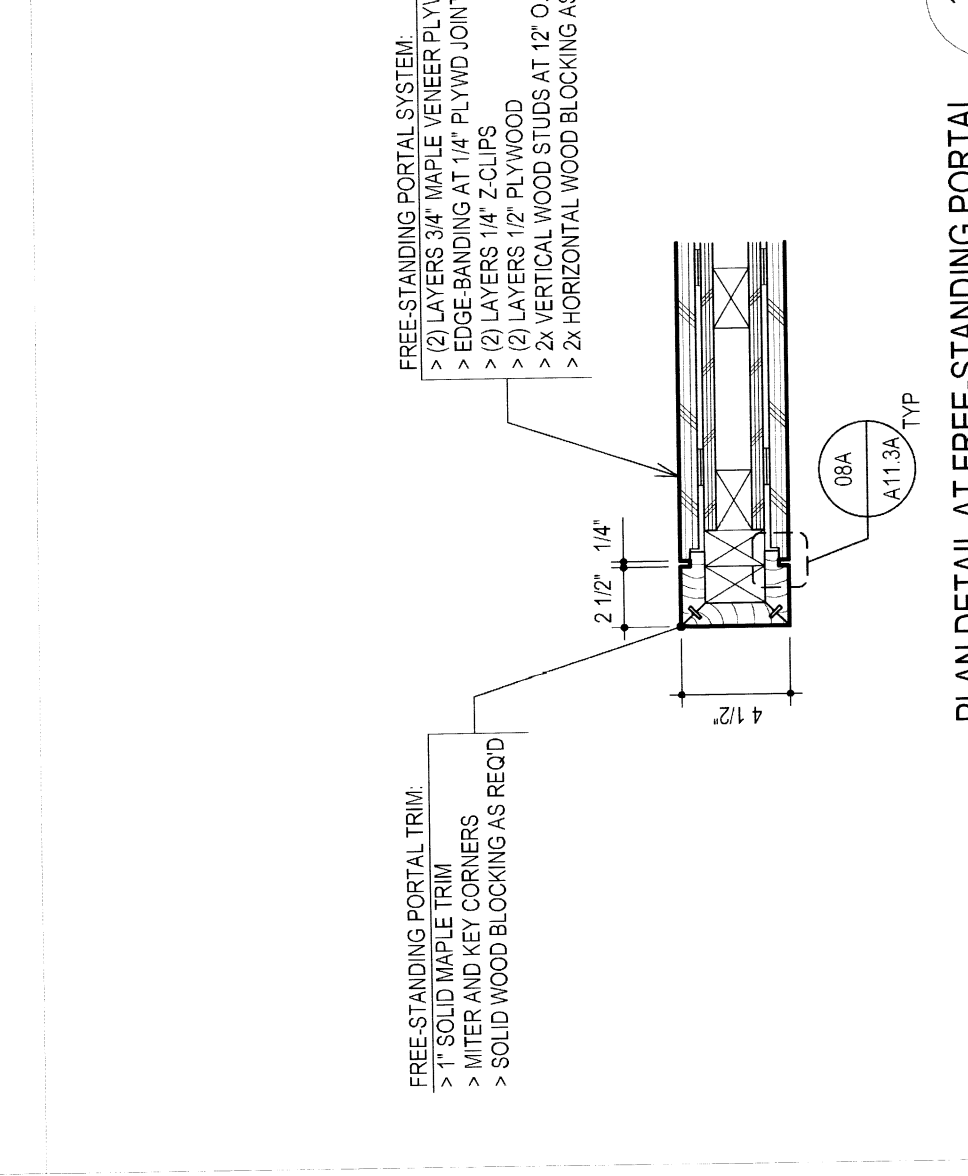
05
BASE DETAIL
SCALE = 1/12" = 1'-0"
A 11.3



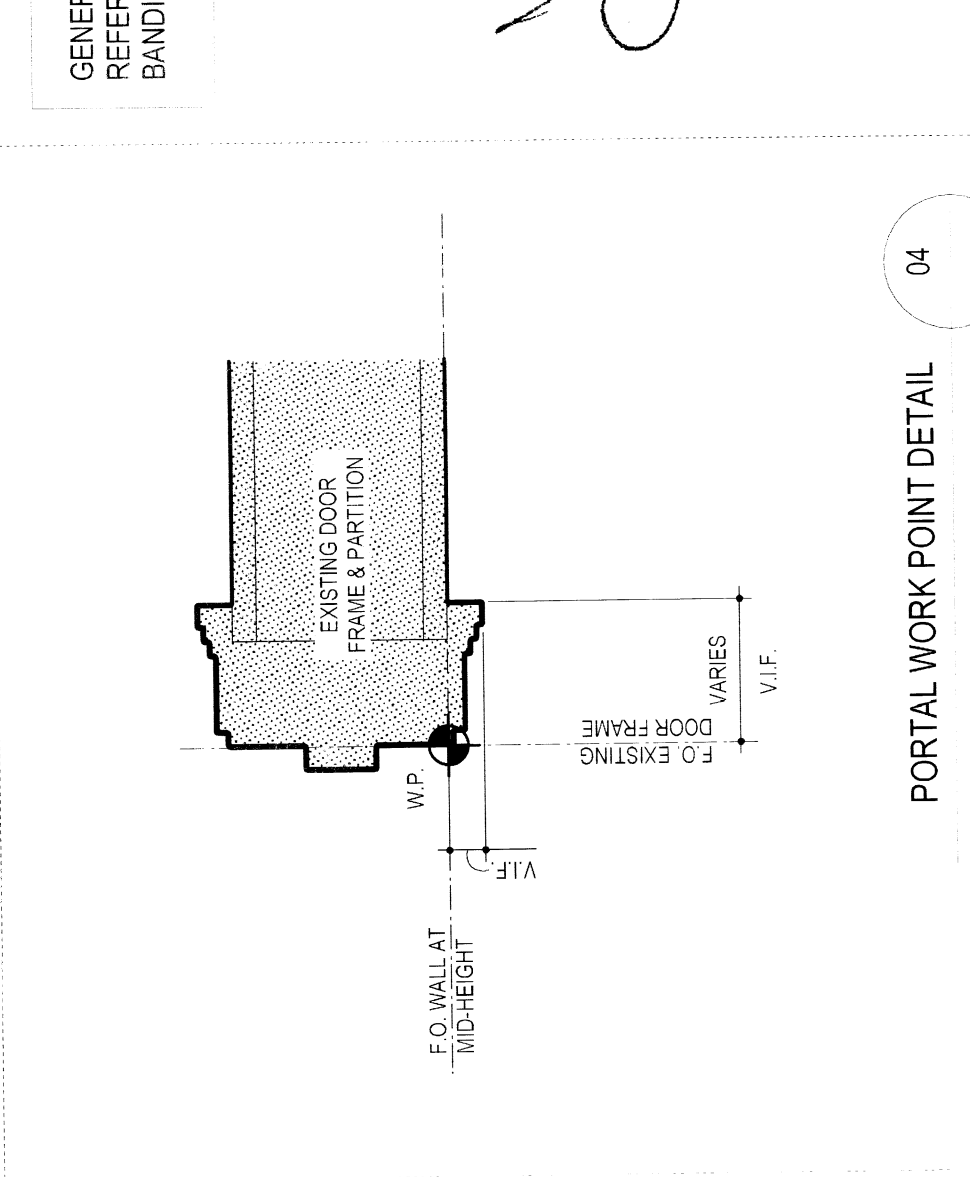
09
PORTAL CABINET DETAIL
SCALE = 1/12" = 1'-0"
A 11.3



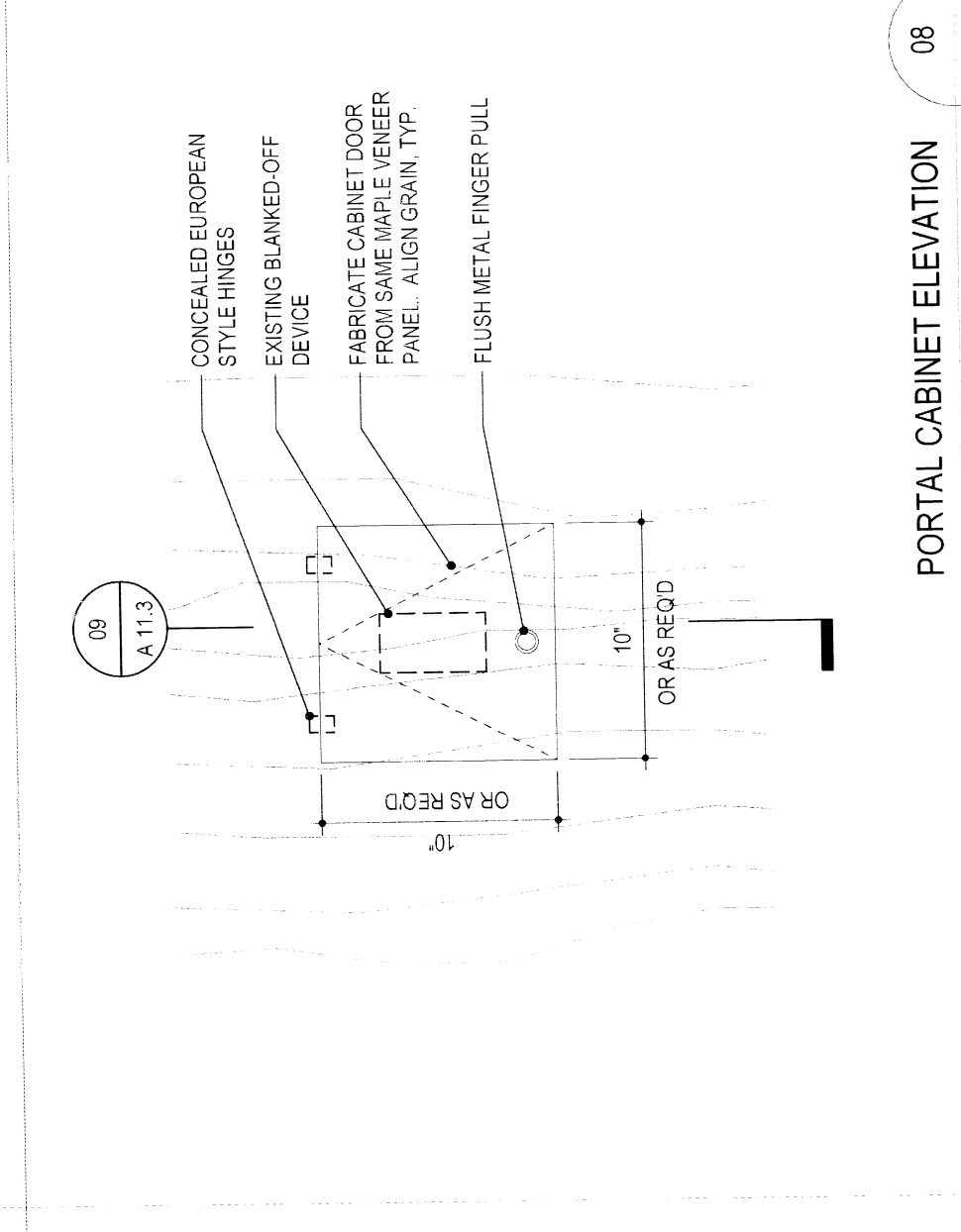
13
PLAN DETAIL AT FREE-STANDING PORTAL
SCALE = 1/12" = 1'-0"
A 11.3



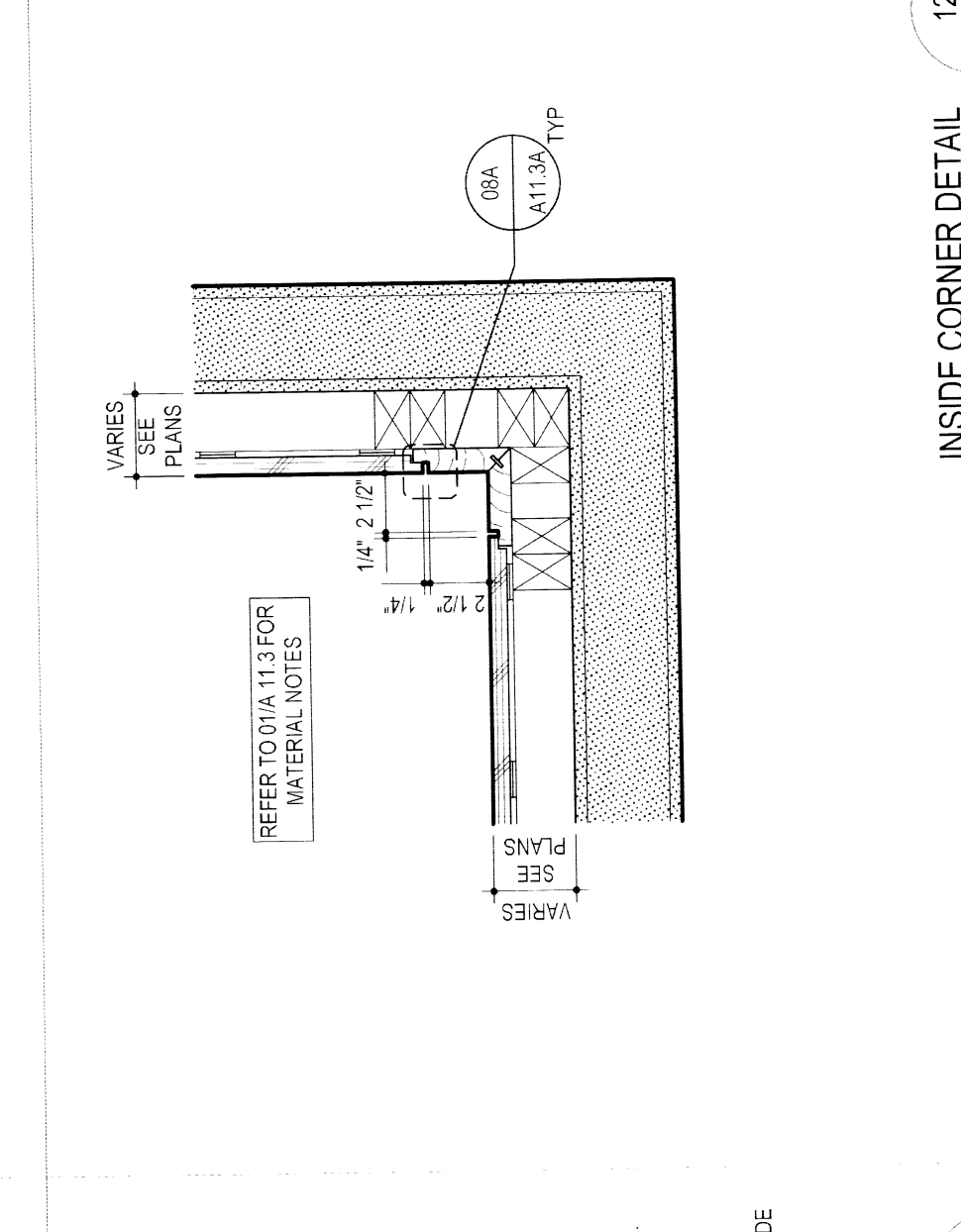
17
PLAN DETAIL AT FREE-STANDING PORTAL
SCALE = 1/12" = 1'-0"
A 11.3



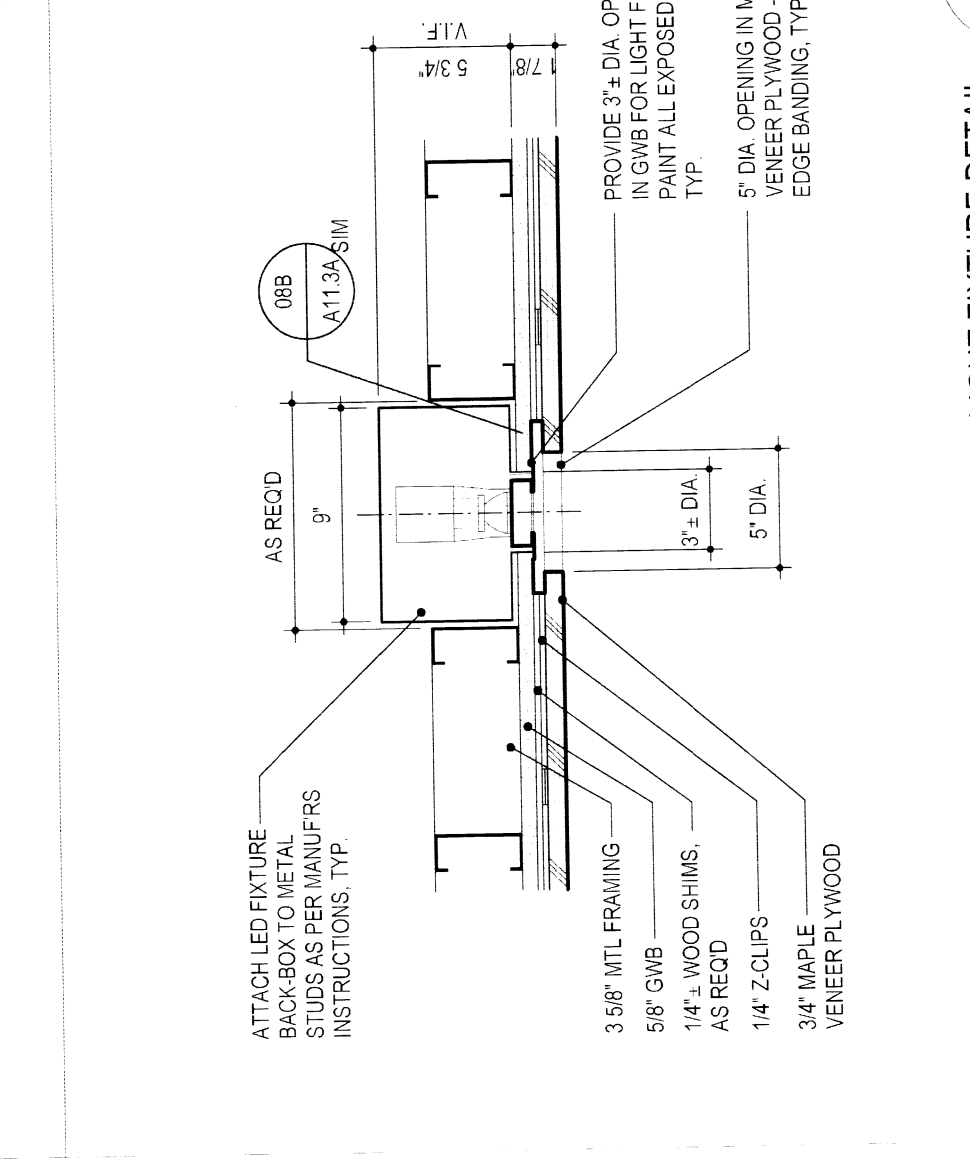
04
PORTAL WORK POINT DETAIL
SCALE = 3\"/>



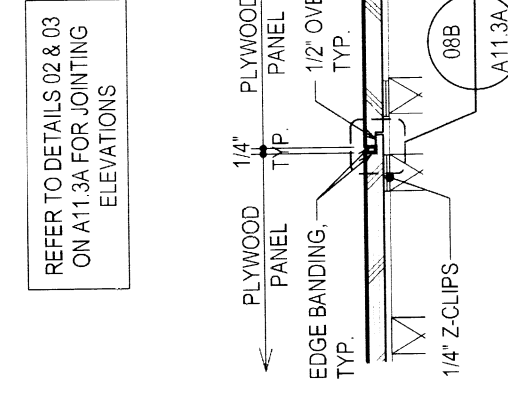
08
PORTAL CABINET ELEVATION
SCALE = 1/12" = 1'-0"
A 11.3



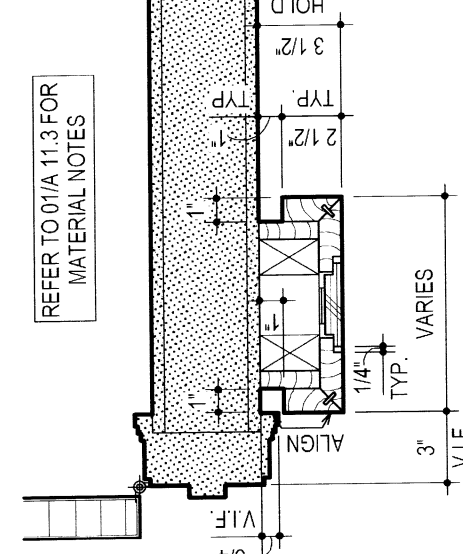
12
INSIDE CORNER DETAIL
SCALE = 1/12" = 1'-0"
A 11.3



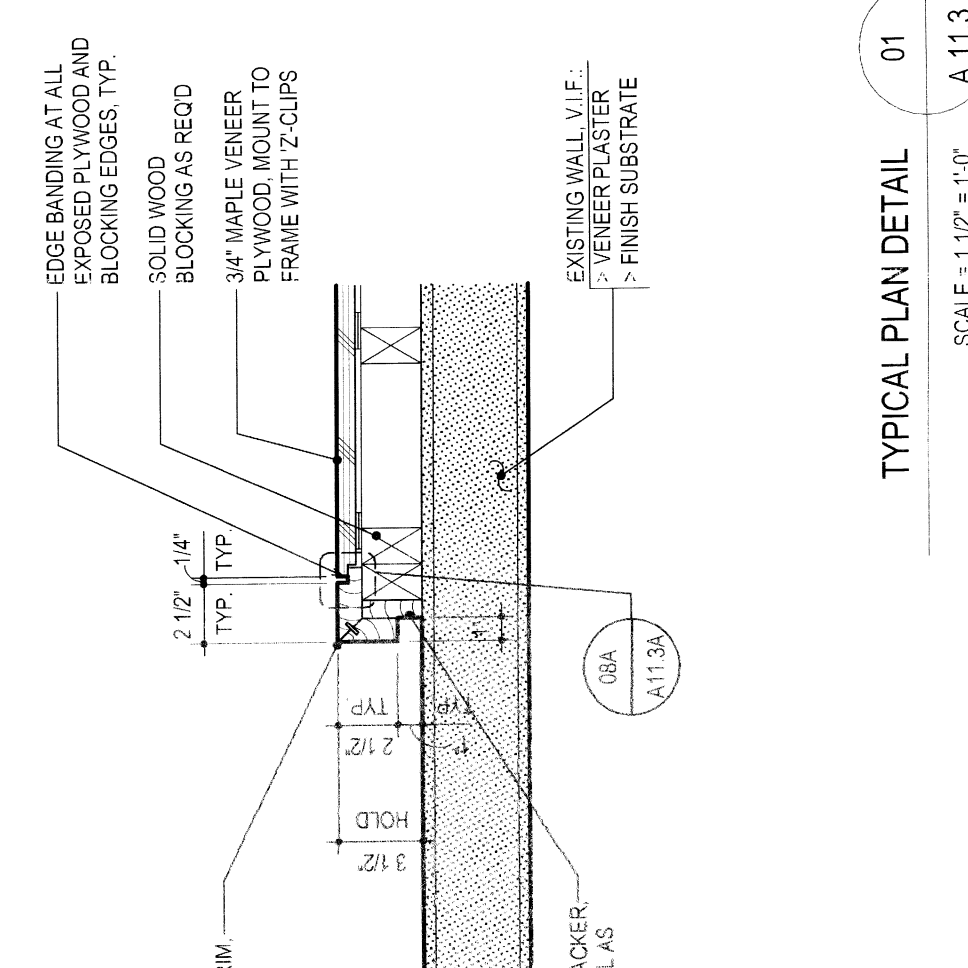
16
LIGHT FIXTURE DETAIL
SCALE = 1/12" = 1'-0"
A 11.3



03
TYPICAL PLYWOOD JOINT
SCALE = 1/12" = 1'-0"
A 11.3



02
DETAIL AT EXISTING DOOR JAMB
SCALE = 1/12" = 1'-0"
A 11.3



01
TYPICAL PLAN DETAIL
SCALE = 1/12" = 1'-0"
A 11.3

GENERAL DETAIL NOTE:
REFER TO 01/A11.3A FOR EDGE BANDING DETAIL

23 MARCH 2011

UNIVERSITY OF MASSACHUSETTS
FACILITIES PLANNING DIVISION
LEWIS HALL & THATCHER HALL
FINISH UPGRADE 2011

PORTAL DETAILS

REV. NO.	DESCRIPTION	BY	APPRO.	DATE

PROJECT NO. 10/0078501
CONTRACT NO. UMA 10.010
SCALE 1/12" = 1'-0"
SHEET 3 OF 3

DRAWN BY: [Signature]
APPROVED BY: [Signature]
CHECKED BY: [Signature]
DATE: [Signature]

LEWIS & THATCHER
DRAWING NUMBER
A 11.3

© 2011 LEERS WEINAPPEL ASSOCIATES ARCHITECTS INC.