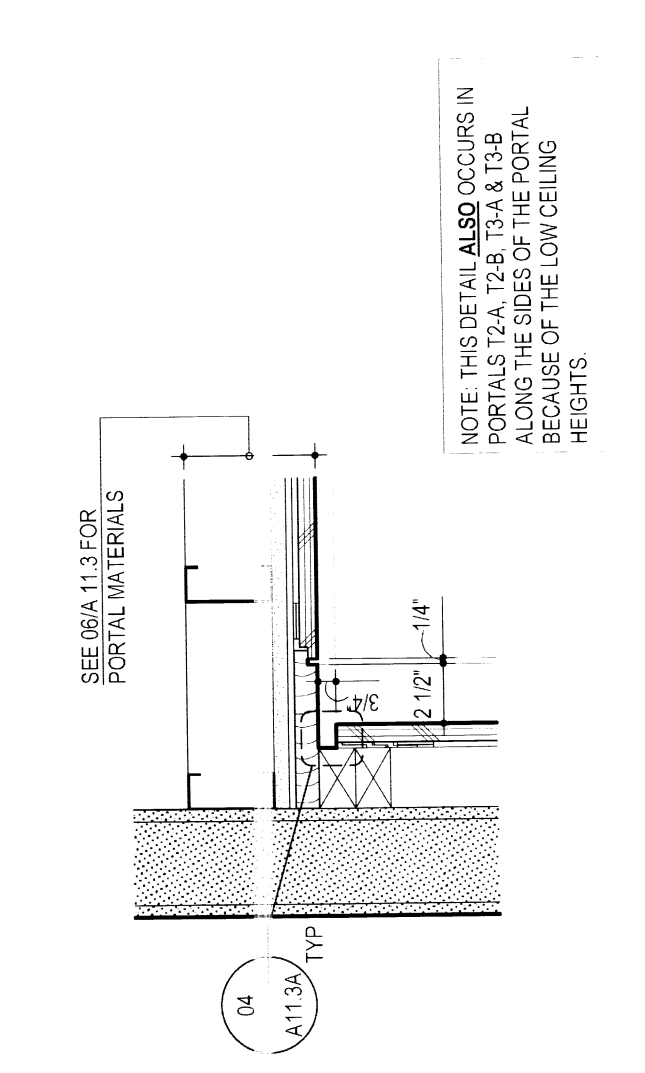
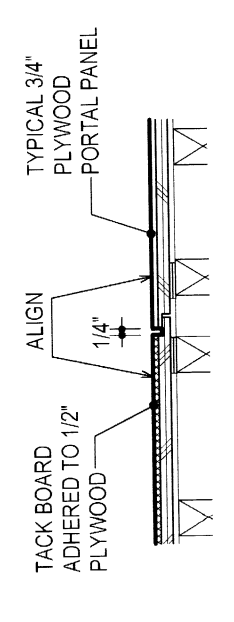


07
PORTAL CEILING TO GWB CEILING
SCALE = 1/12" = 1'-0"
A 11.3A

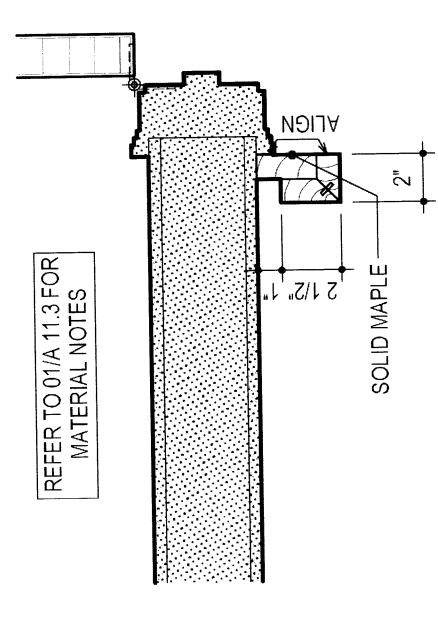


11
PORTAL CEILING AT END TRIM
SCALE = 1/12" = 1'-0"
A 11.3A

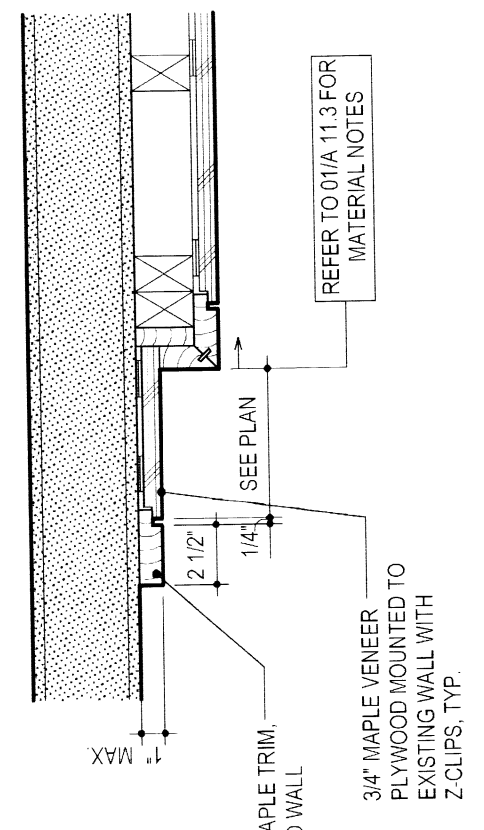
NOTE: THIS DETAIL ALSO OCCURS IN PORTALS T2A, T2B, T3A & T3B ALONG THE SIDES OF THE PORTAL BECAUSE OF THE LOW CEILING HEIGHTS.



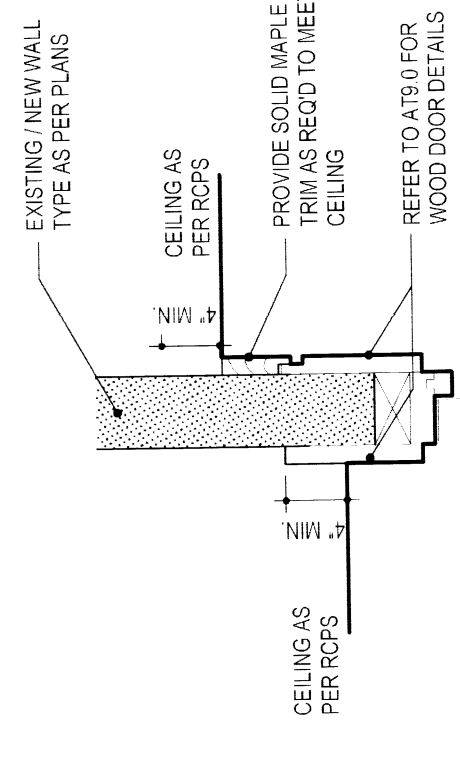
14
TACK BOARD
SCALE = 1/12" = 1'-0"
A 11.3A



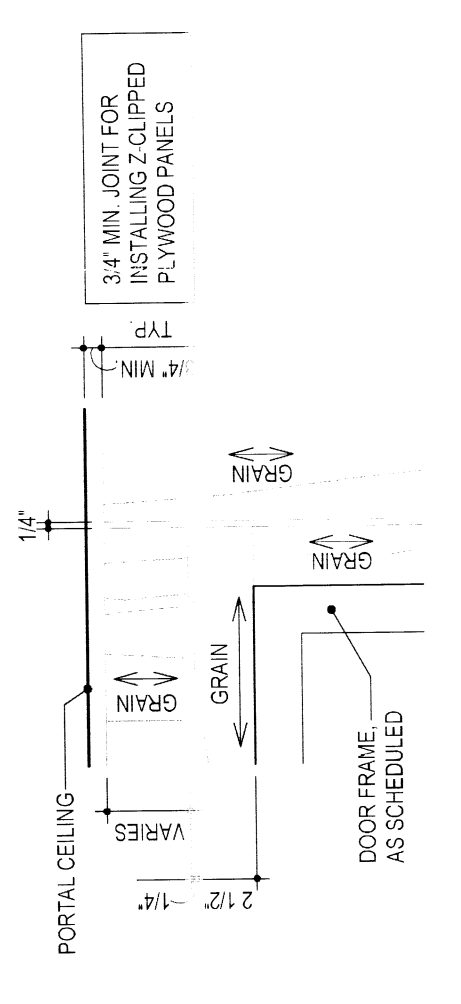
13
TWO INCH WIDE PORTAL JAMB (LEWIS)
SCALE = 1/12" = 1'-0"
A 11.3A



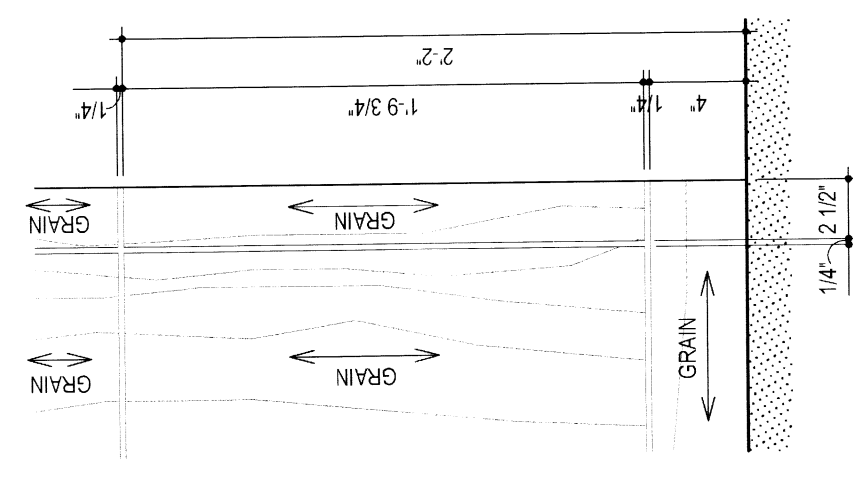
12
ONE INCH PLYWOOD PORTAL
SCALE = 1/12" = 1'-0"
A 11.3A



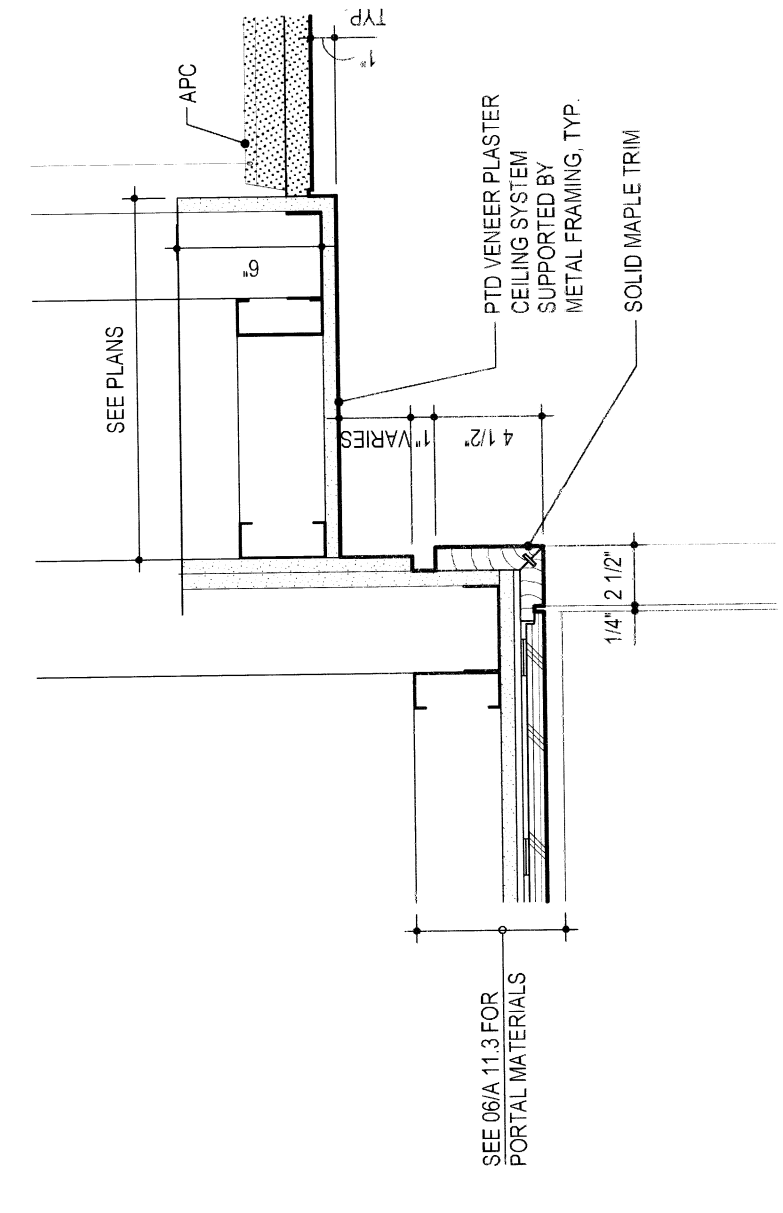
16
WOOD DOOR HEAD DETAILS AT PORTALS
SCALE = 1/12" = 1'-0"
A 11.3A



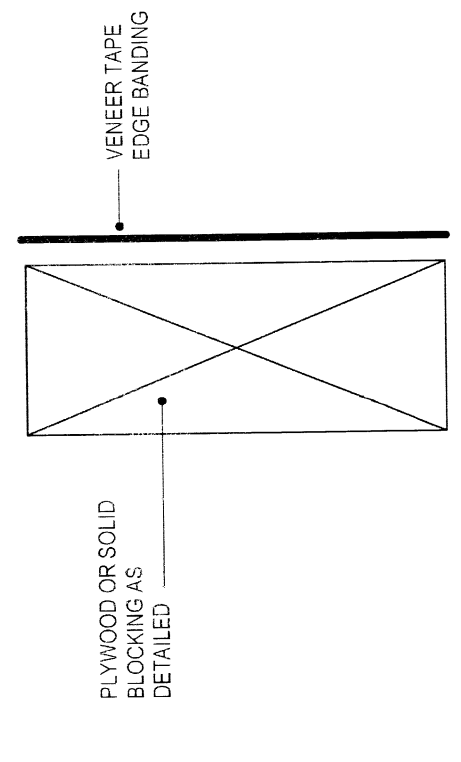
03
DETAIL JOINT & GRAIN ELEVATION
SCALE = 1/12" = 1'-0"
A 11.3A



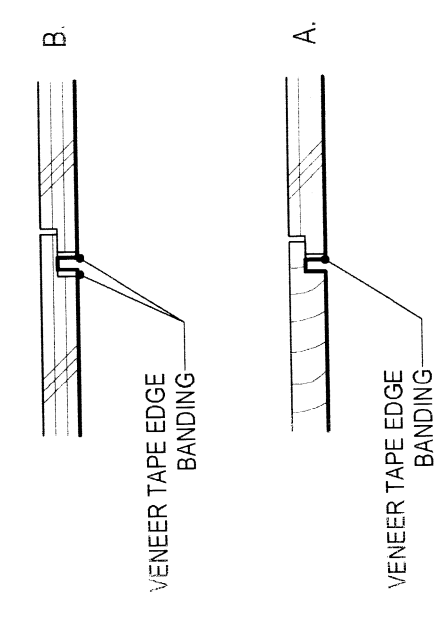
02
DETAIL GRAIN & JOINT ELEVATION
SCALE = 1/12" = 1'-0"
A 11.3A



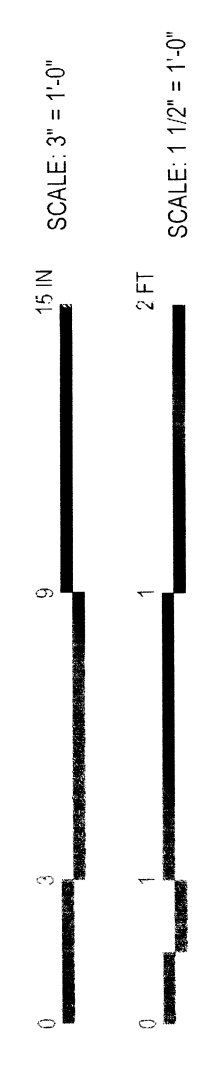
05
GWB SOFFIT AT PORTAL LO-B
SCALE = 1/12" = 1'-0"
A 11.3A



04
VENEER TAPE EDGE BANDING ON BLOCKING AT REVEALS
SCALE = 3/8" = 1'-0"
A 11.3A



08
VENEER TAPE EDGE BANDING AT PLYWOOD EDGES
SCALE = 3/8" = 1'-0"
A 11.3A



23 MARCH 2011

REV. NO.	DESCRIPTION	BY	APPD.	DATE

UNIVERSITY OF MASSACHUSETTS
 FACILITIES PLANNING DIVISION
 LEWIS HALL & THATCHER HALL
 FINISH UPGRADE 2011
 PORTAL DETAILS

BY	DATE	PROJECT NO.	CONTRACT NO.
DRN	10/01/2007	UMA 10-010	
APPD	ASL	SCALE	AS NOTED
CKD		DRAWING NUMBER	
APPD		LEWIS & THATCHER	

A 11.3A

© 2011 LEERS WEINAPFEL ASSOCIATES ARCHITECTS INC.