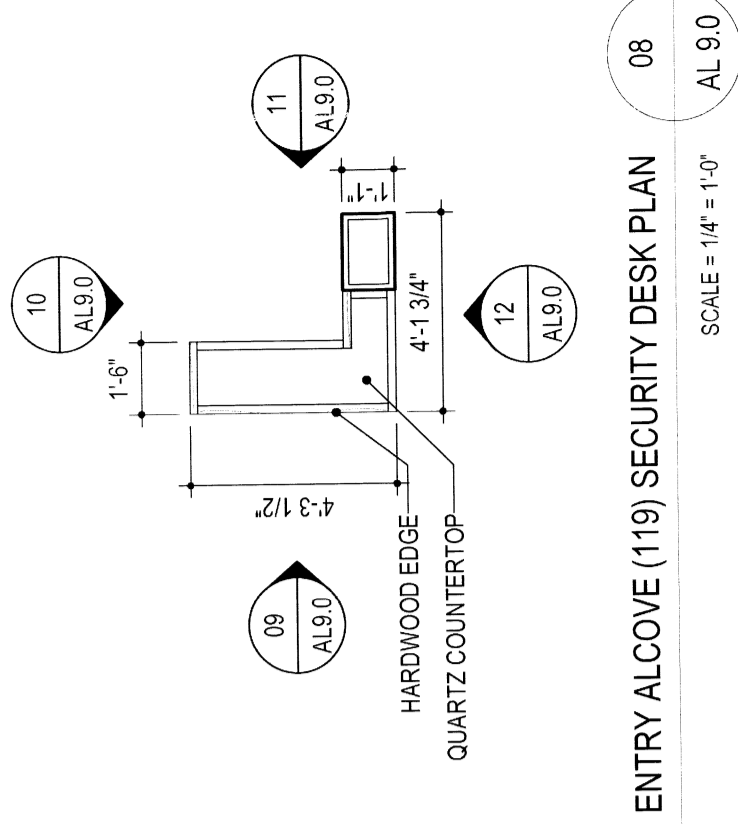
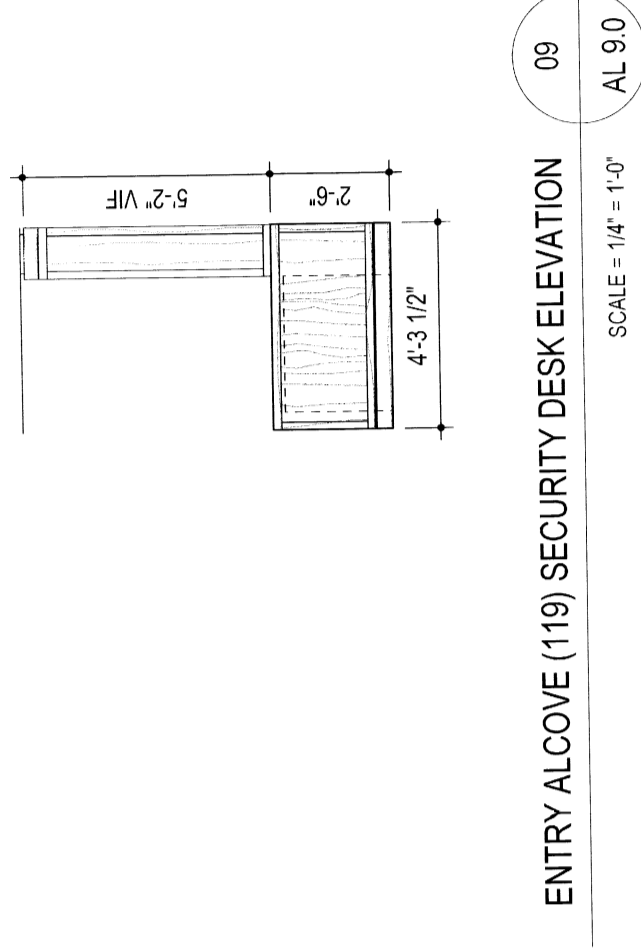


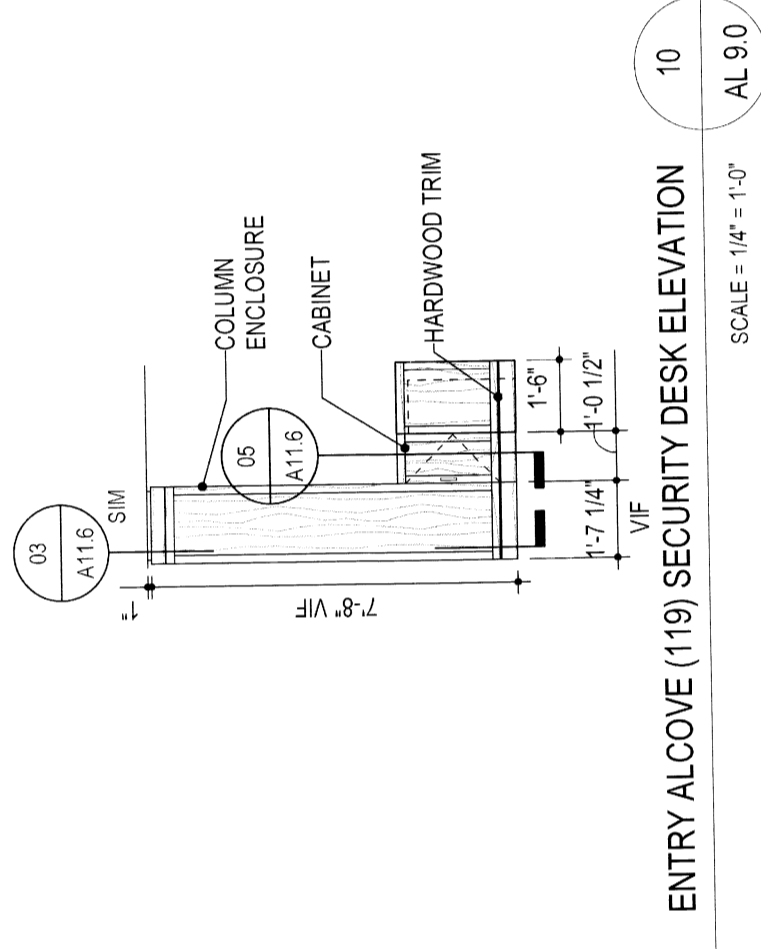
LEWIS ENTRY BENCH
SCALE = 1/4" = 1'-0"
AL 9.0



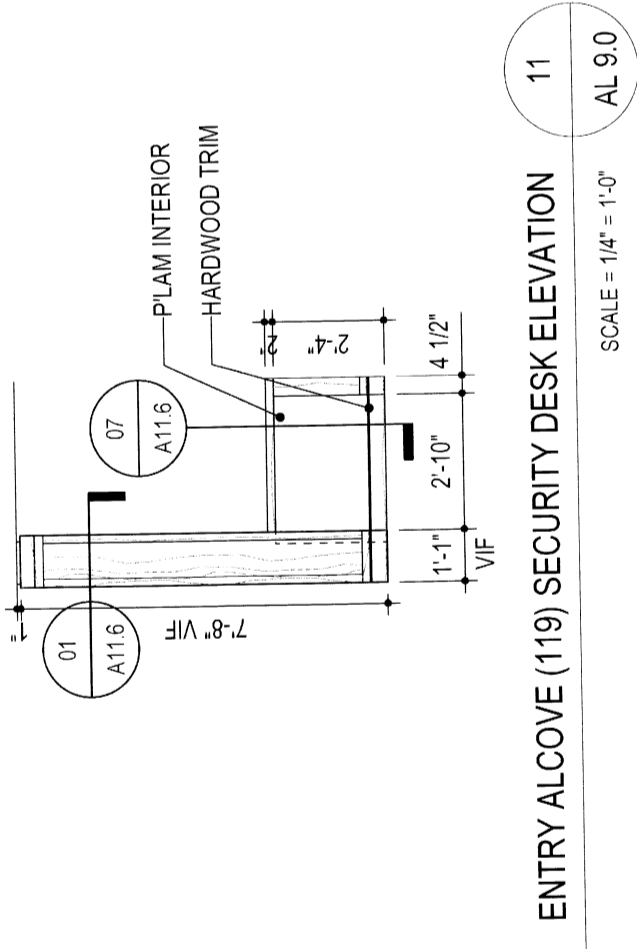
ENTRY ALCOVE (119) SECURITY DESK PLAN
SCALE = 1/4" = 1'-0"
AL 9.0



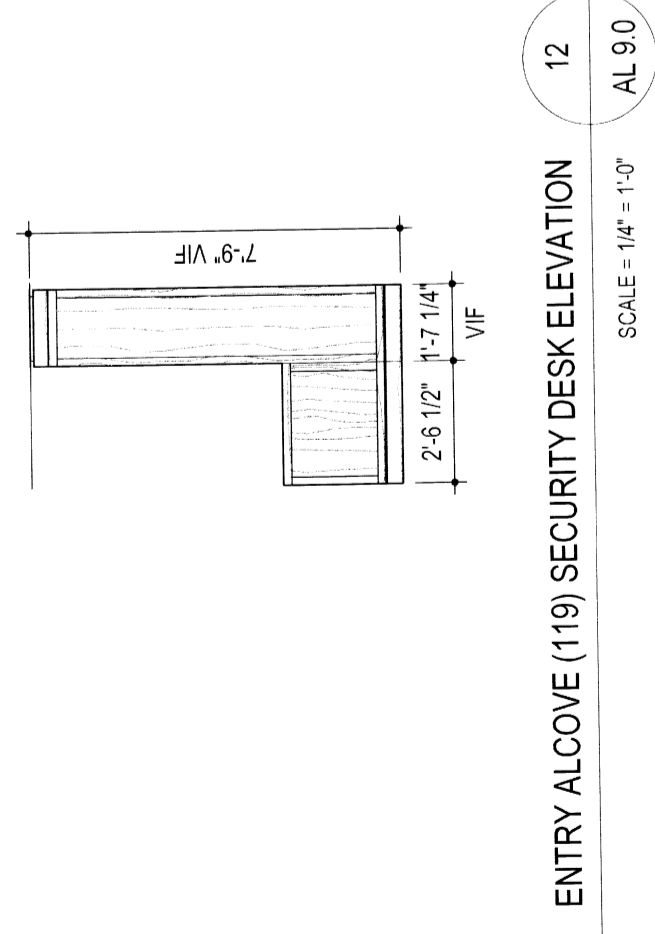
ENTRY ALCOVE (119) SECURITY DESK ELEVATION
SCALE = 1/4" = 1'-0"
AL 9.0



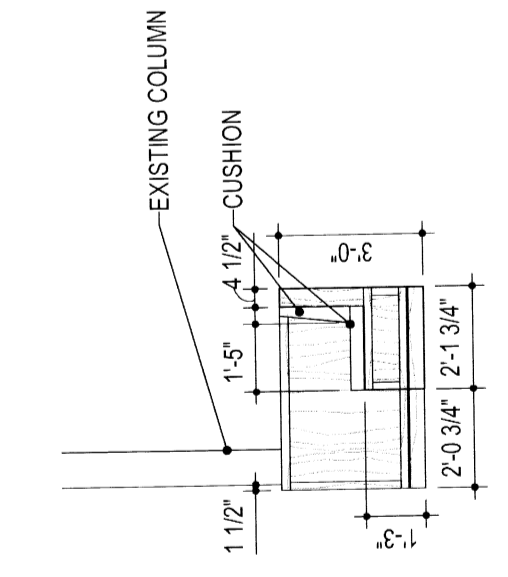
ENTRY ALCOVE (119) SECURITY DESK ELEVATION
SCALE = 1/4" = 1'-0"
AL 9.0



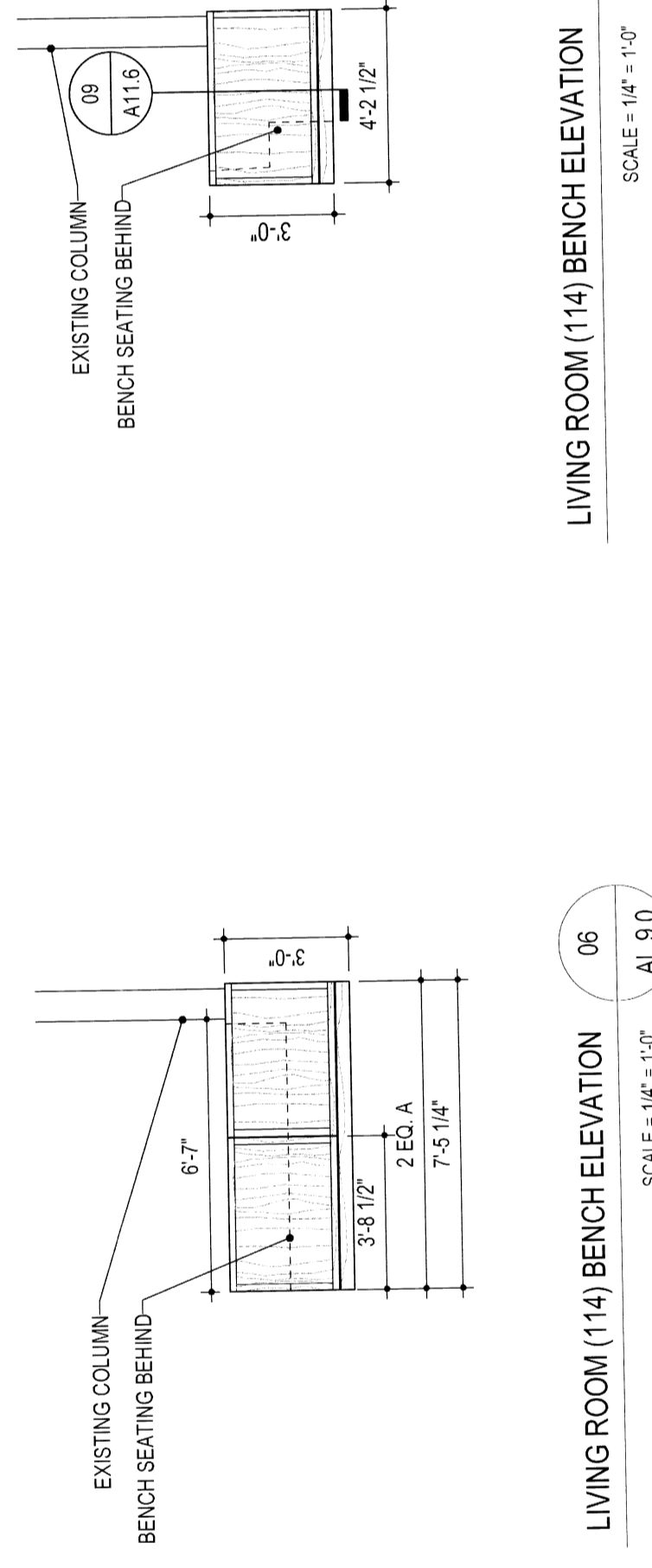
ENTRY ALCOVE (119) SECURITY DESK ELEVATION
SCALE = 1/4" = 1'-0"
AL 9.0



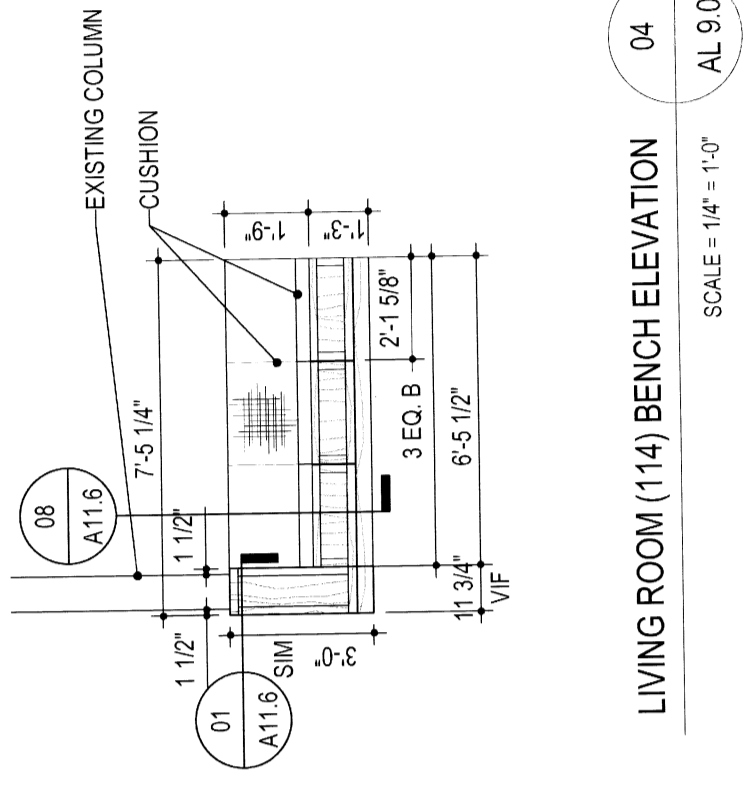
ENTRY ALCOVE (119) SECURITY DESK ELEVATION
SCALE = 1/4" = 1'-0"
AL 9.0



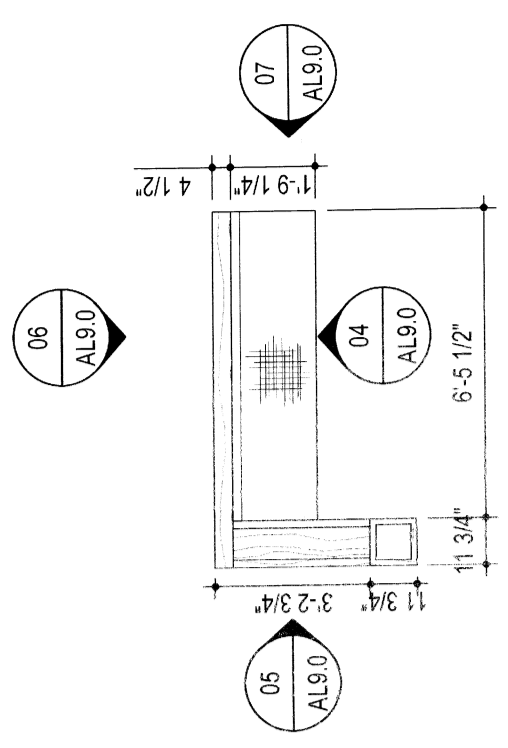
LIVING ROOM (114) BENCH ELEVATION
SCALE = 1/4" = 1'-0"
AL 9.0



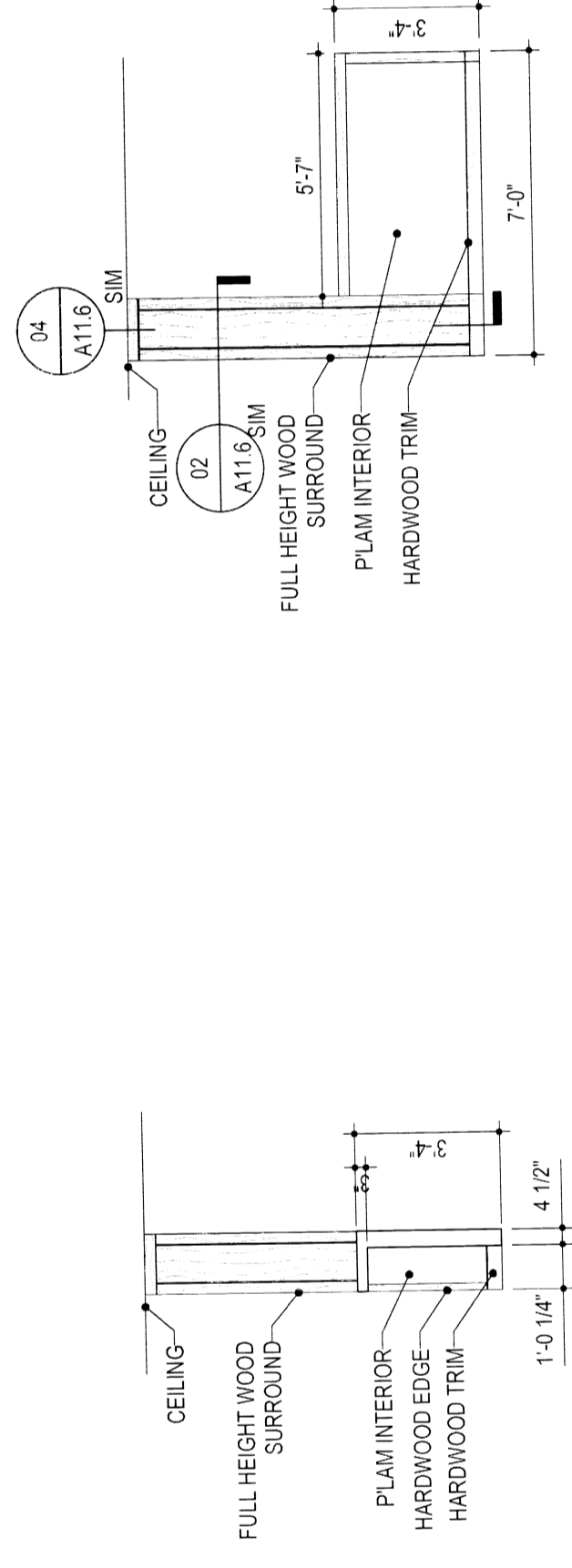
LIVING ROOM (114) BENCH ELEVATION
SCALE = 1/4" = 1'-0"
AL 9.0



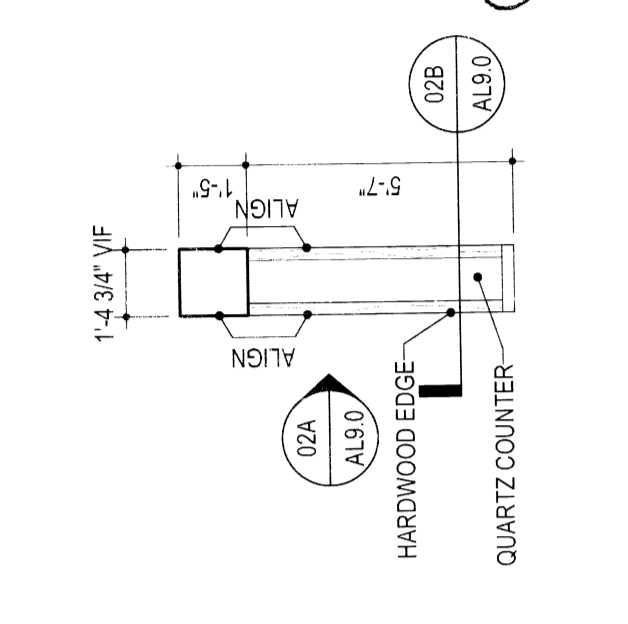
LIVING ROOM (114) BENCH ELEVATION
SCALE = 1/4" = 1'-0"
AL 9.0



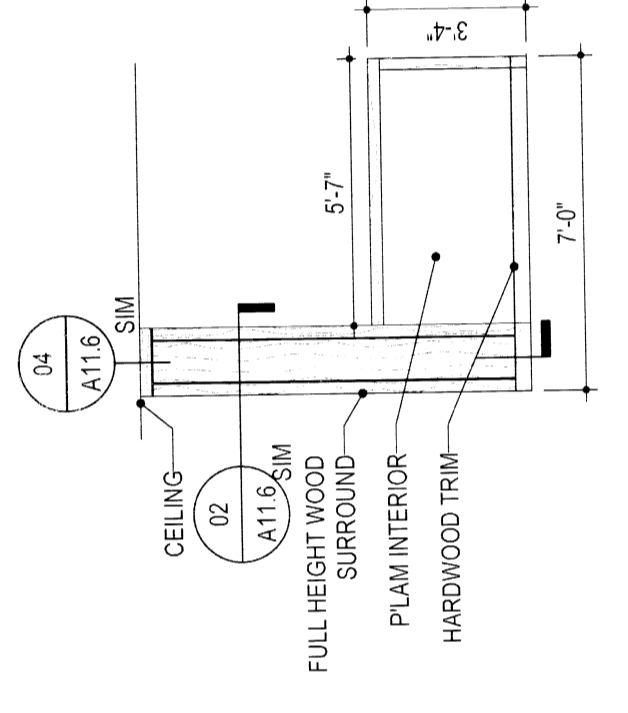
LIVING ROOM (114) BENCH PLAN
SCALE = 1/4" = 1'-0"
AL 9.0



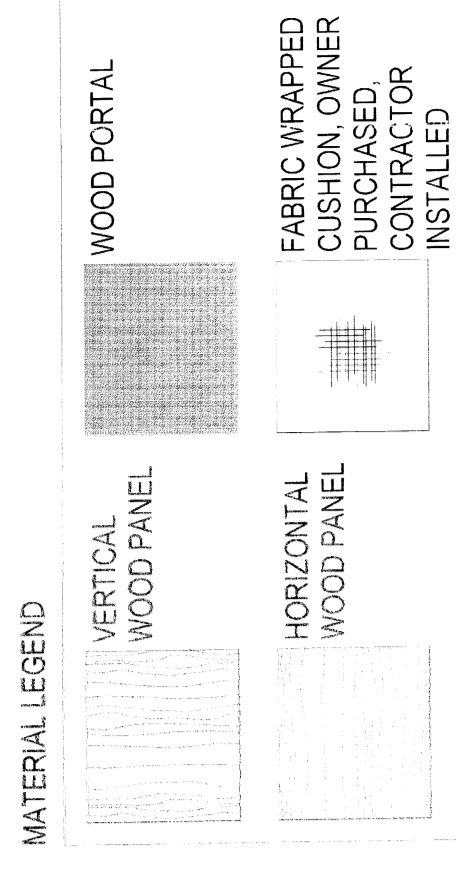
COMMON ROOM (12) COUNTER SECTION
SCALE = 3/4" = 1'-0"
AL 9.0



COMMON ROOM (12) COUNTER PLAN
SCALE = 3/4" = 1'-0"
AL 9.0

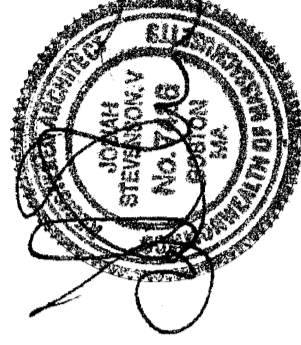


COMMON ROOM (12) COUNTER ELEVATION
SCALE = 3/4" = 1'-0"
AL 9.0



23 MARCH 2011

REV. NO.	DESCRIPTION	BY	APPD.	DATE



UNIVERSITY OF MASSACHUSETTS
FACILITIES PLANNING DIVISION
LEWIS HALL & THATCHER HALL
FINISH UPGRADE 2011
WOODWORK BENCHES/COUNTERS/SECURITY DESK

BY	DATE	PROJECT NO.	CONTRACT NO.

DRN.	JC	SCALE	UMA 10.010

APPD.	ASL	SCALE	3/4" = 1'-0"

CVD	APPD.	DRAWING NUMBER	SHEET

© 2011 LEERS WEINZAPFEL ASSOCIATES ARCHITECTS INC.
AL 9.0