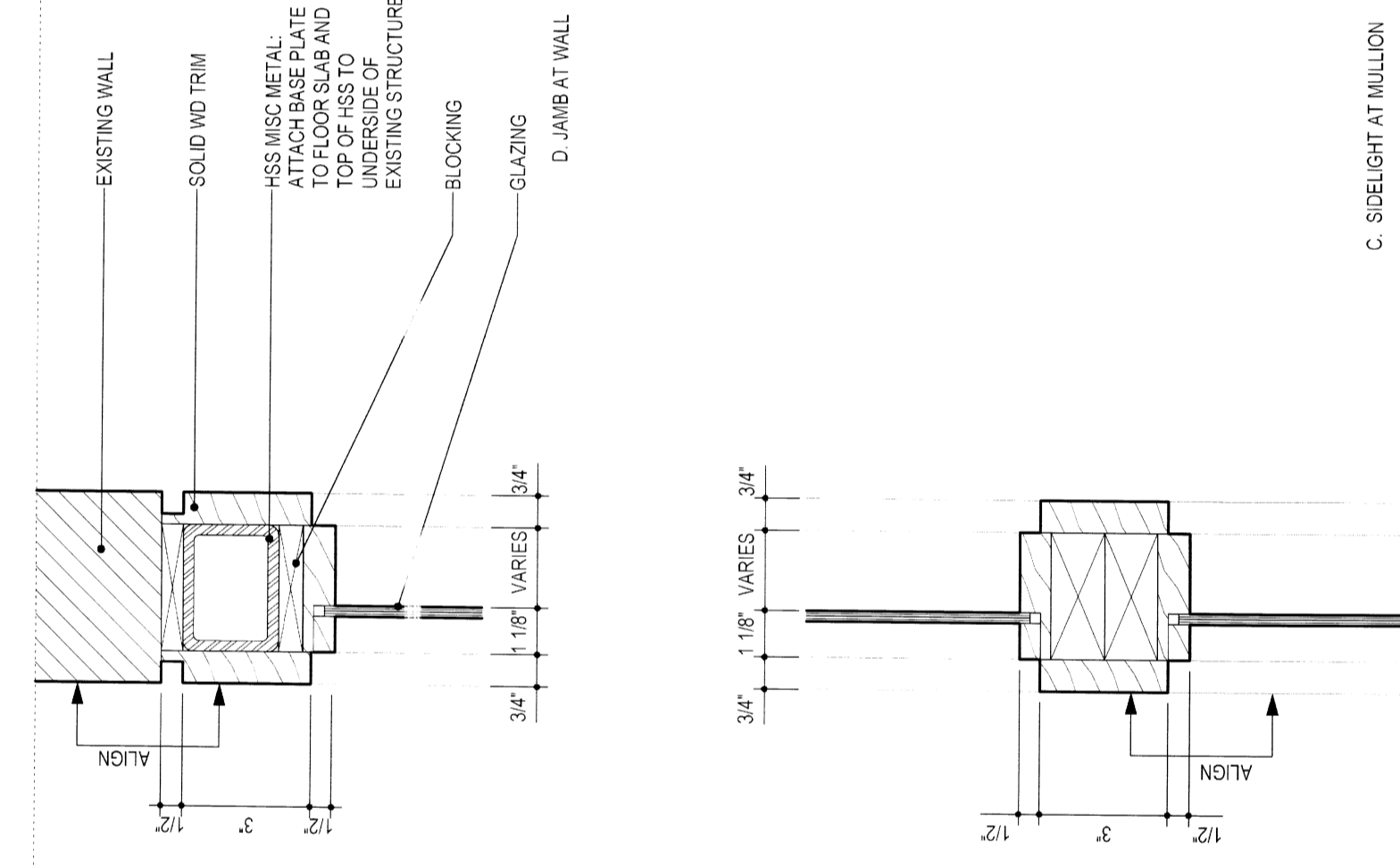
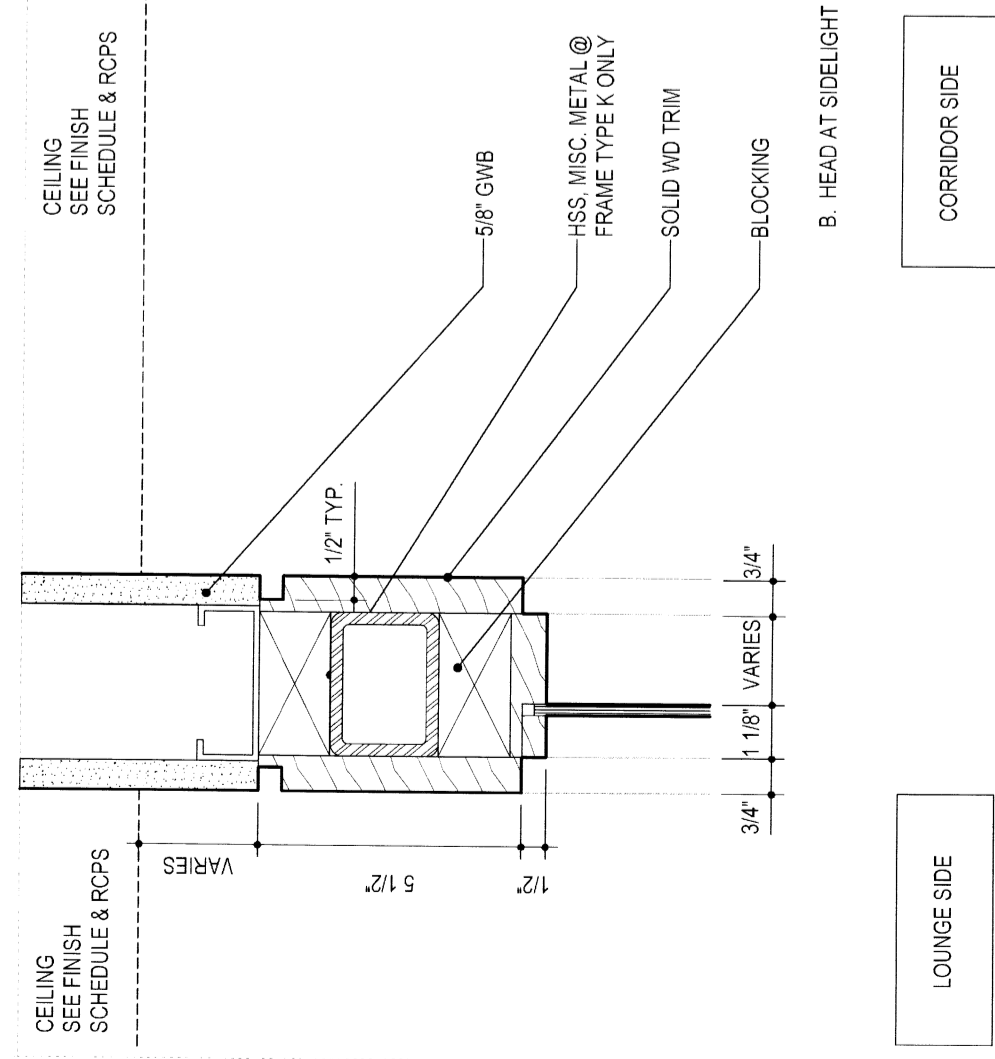
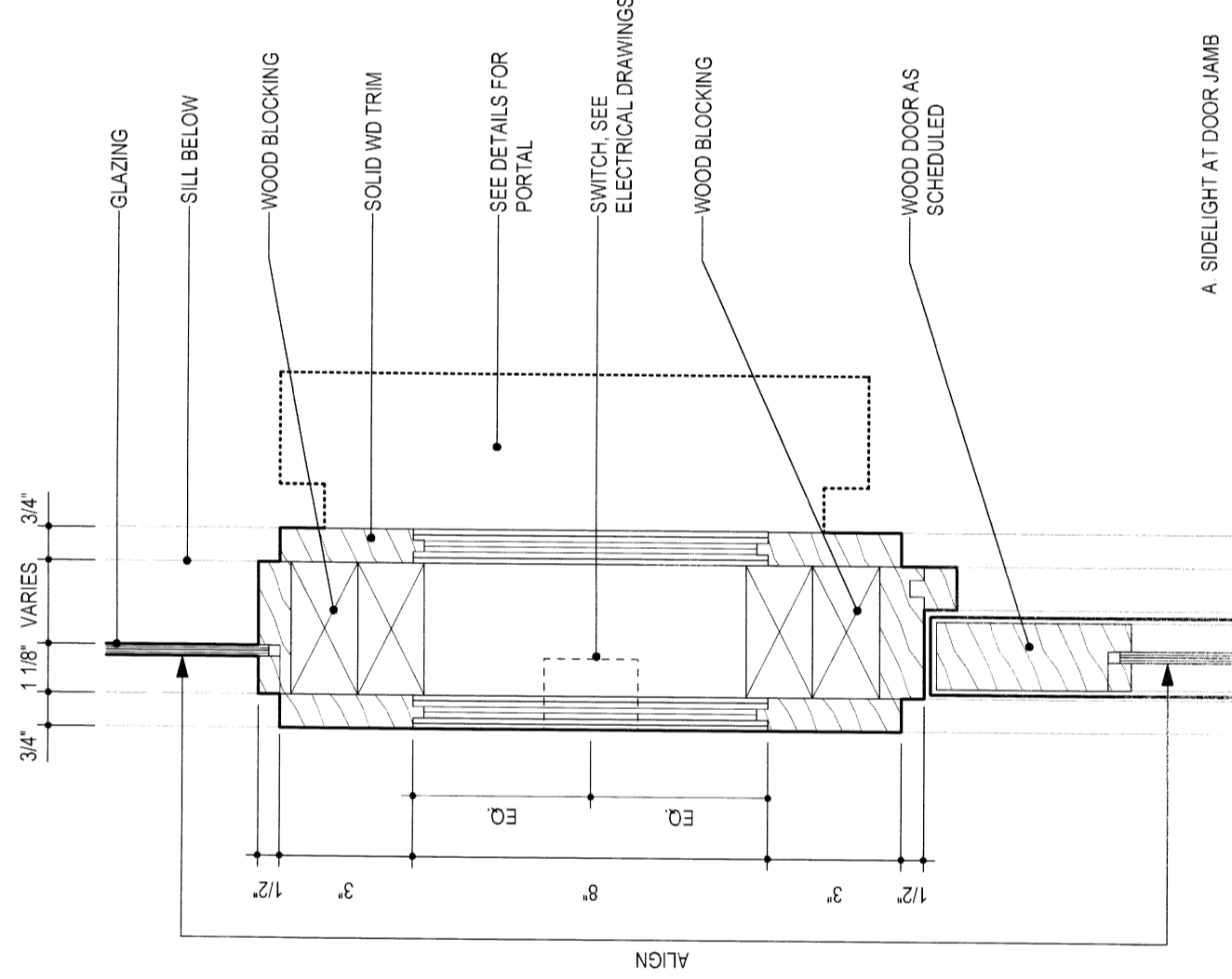


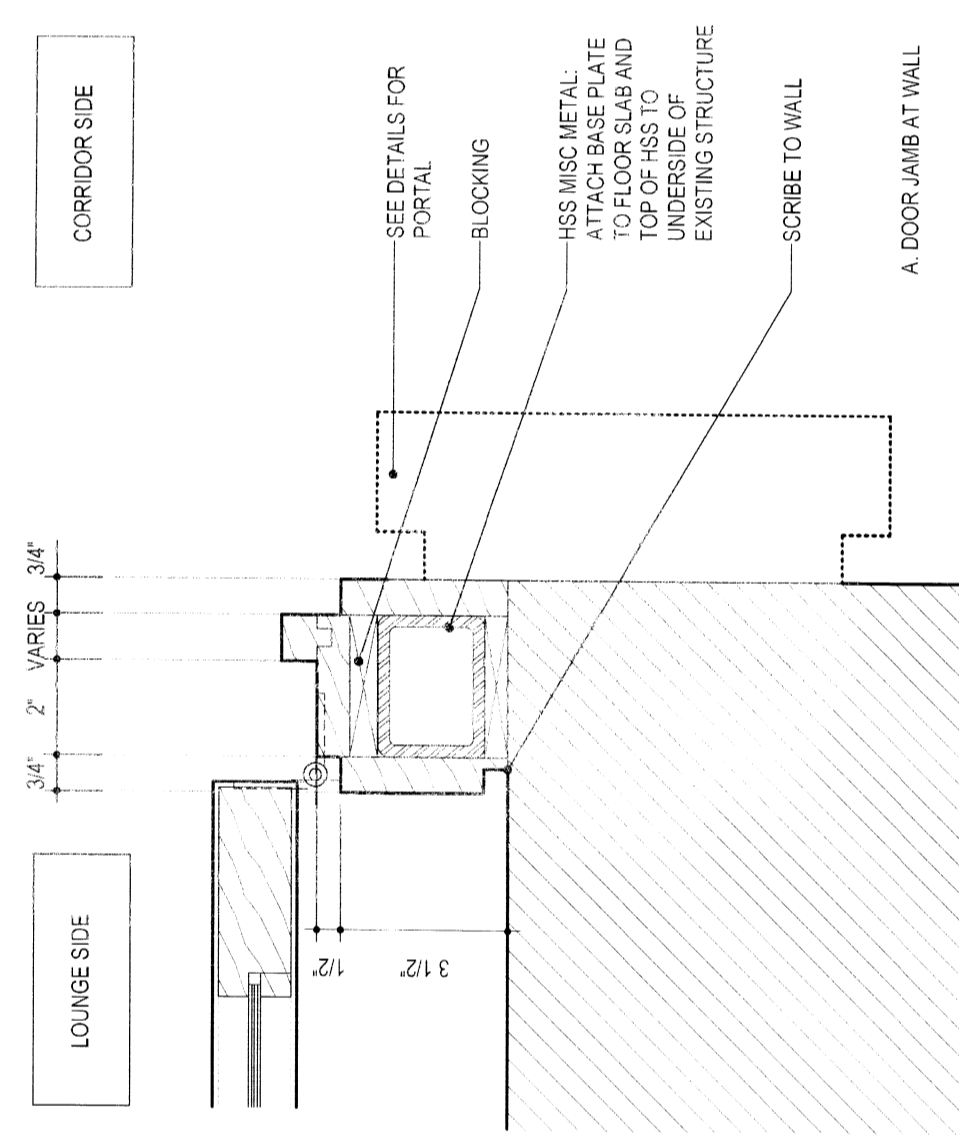
TYPICAL WOOD DOOR HEAD DETAIL



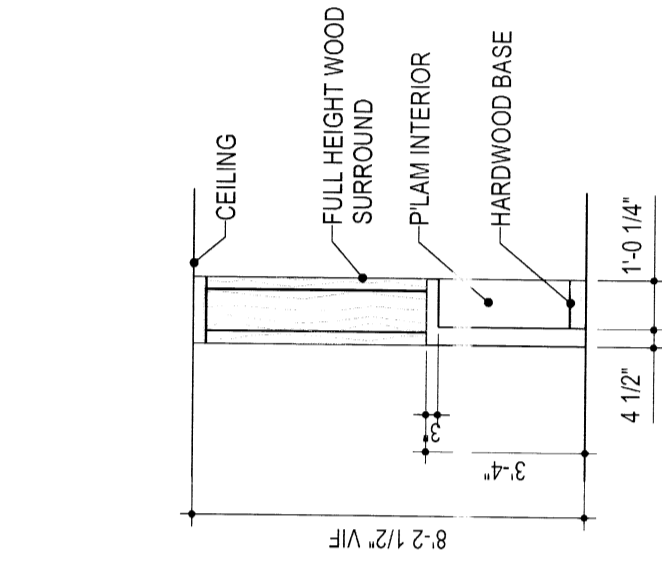
C. SIDELIGHT AT MULLION



A. SIDELIGHT AT DOOR JAMB



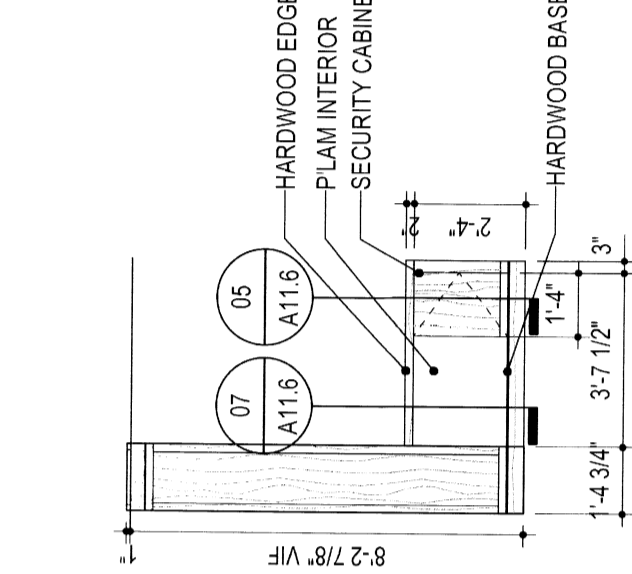
WOOD JAMB AND MULLION AT LOUNGE 214, 314, 416



COMMON ROOM (015) COUNTER SECTION



COMMON ROOM (015) COUNTER ELEVATION



ENTRY (1998) SECURITY DESK



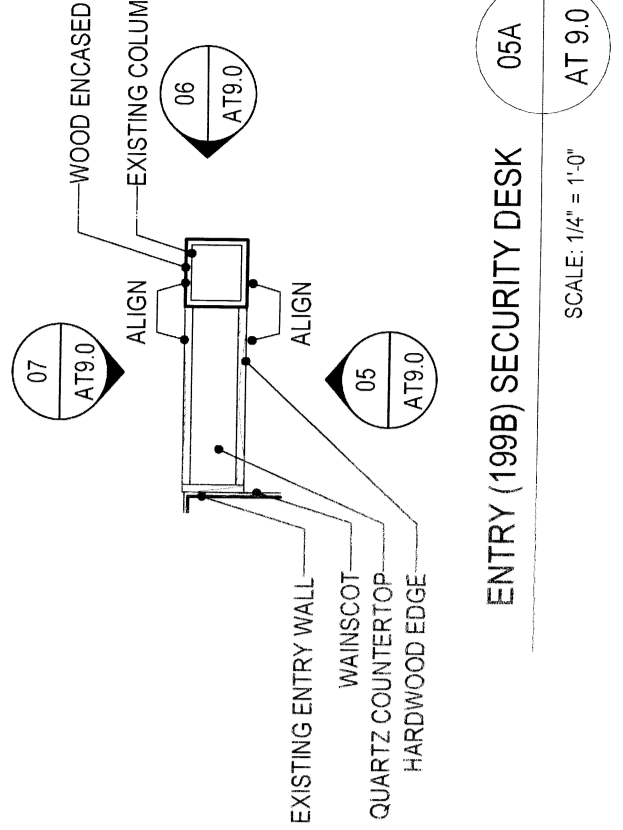
ENTRY (1998) SECURITY DESK



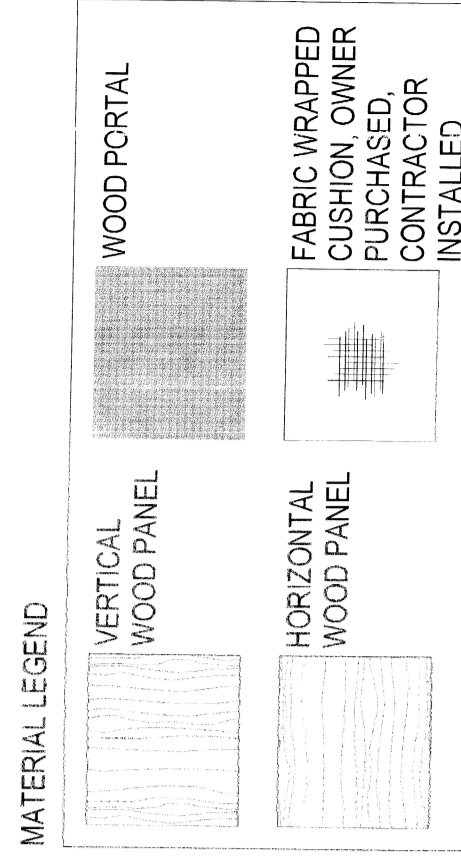
ENTRY (1998) SECURITY DESK



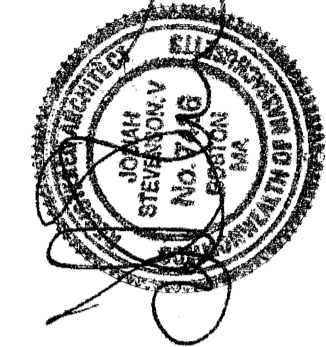
ENTRY (1998) SECURITY DESK



ENTRY (1998) SECURITY DESK



23 MARCH 2011



UNIVERSITY OF MASSACHUSETTS
FACILITIES PLANNING DIVISION
LEWIS HALL & THATCHER HALL
FINISH UPGRADE 2011
WOOD FRAMES & SECURITY DESK

TYPICAL WOOD HEAD / SILL DETAILS @ SIDELIGHTS

TYPICAL JAMB DETAILS

WOOD JAMB AND MULLION AT LOUNGE 214, 314, 416

COMMON ROOM (015) COUNTER PLAN

COMMON ROOM (015) COUNTER ELEVATION

ENTRY (1998) SECURITY DESK

ENTRY (1998) SECURITY DESK

ENTRY (1998) SECURITY DESK

ENTRY (1998) SECURITY DESK

ENTRY (1998) SECURITY DESK

ENTRY (1998) SECURITY DESK