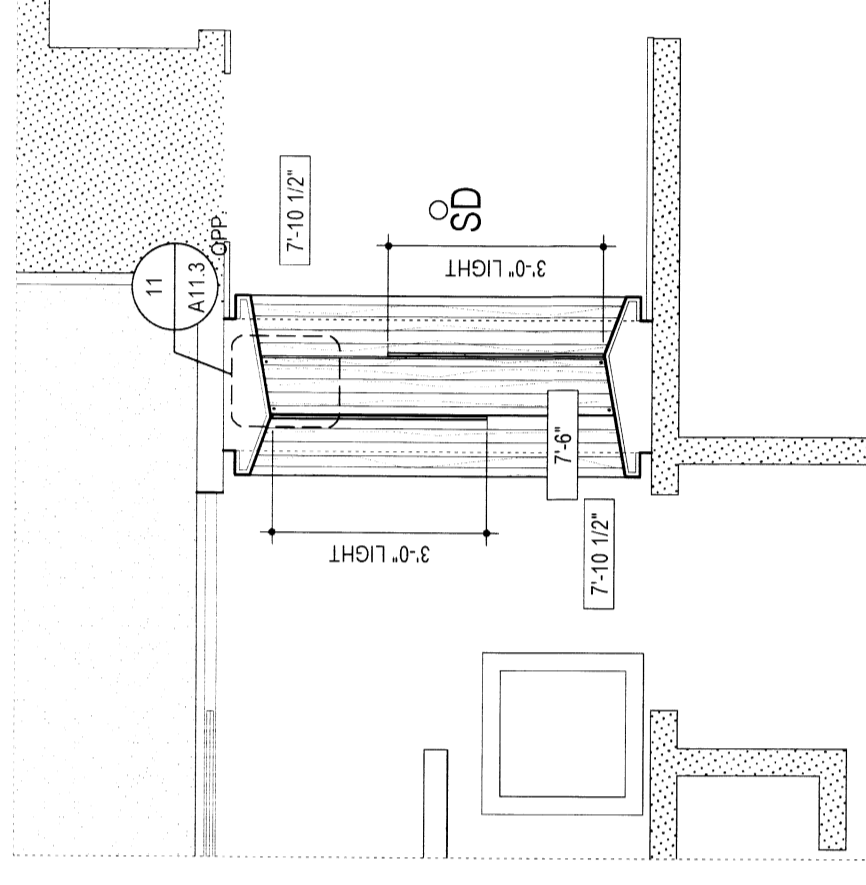


DETAIL PLAN



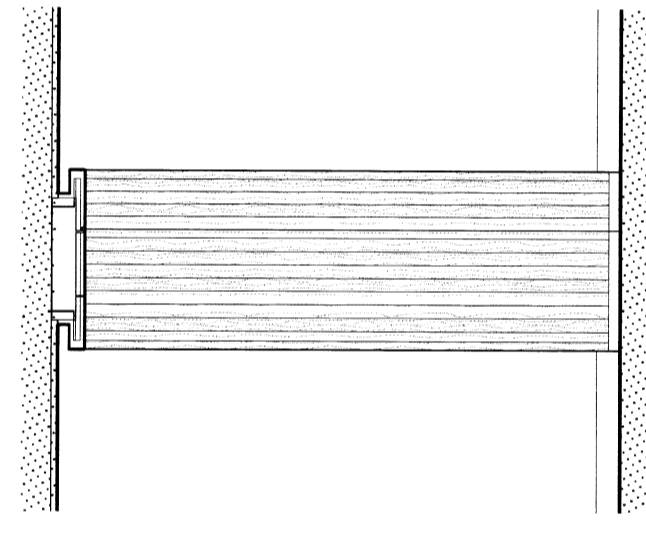
DETAIL RCP

PORTAL T4-B
SCALE = 3/8" = 1'-0"
02
AT 9.2E

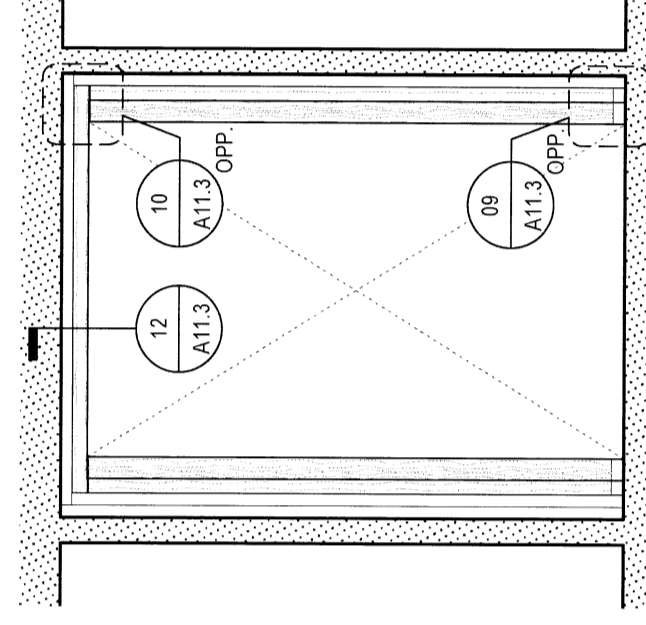
- PORTAL NOTES:
1. VERIFY ASSEMBLY OF UNDOCUMENTED DEVICES OR M.E.P. T.F.P. INFRASTRUCTURE WITHIN PORTALS.
2. LIST OUT PORTAL LIGHT FIXTURES PER ARCHITECTURAL DRAWINGS.
3. REFER TO DETAIL BAZZALLI FOR WORK POINT INFORMATION AT DOOR JAMBS.
4. REFER TO ELECTRICAL DRAWINGS FOR SCOPE OF WORK REGARDING THE DEMO. REMOVAL OF BLANDED-OFF JUNCTION BOXES. JUNCTION BOX MUST REMAIN. PROVIDE ACCESS VIA REMOVABLE PORTAL CEILING PANEL.
5. RECESSED SPRINKLER HEAD

- DEVICE LEGEND:
- FE FIRE EXTINGUISHER
 - EXIT WALL MOUNT EXIT SIGN
 - EXIT CEILING MOUNT EXIT SIGN
 - PS FIRE ALARM STROBE
 - PS PULL STATION
 - LS JUNCTION BOX
 - LS LIGHT SWITCH
 - LS L.E.D. CEILING FIXTURE (R)
 - RECESSED SPRINKLER HEAD

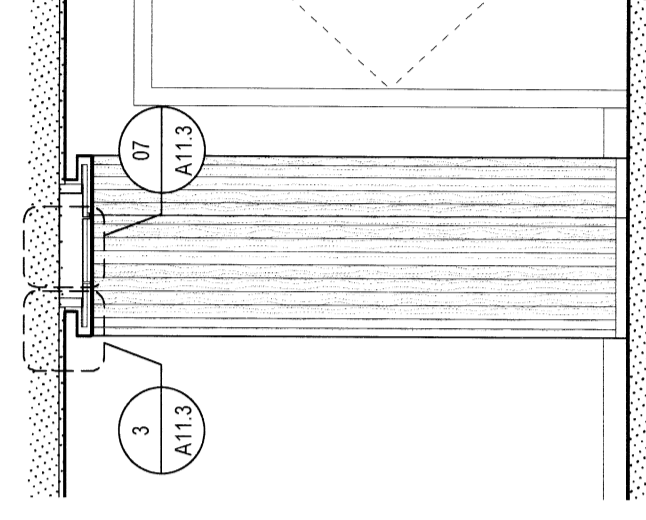
- MATERIALS LEGEND:
- EXISTING CONSTRUCTION / STRUCTURE TO REMAIN
 - VERTICAL WOOD GRAIN
 - HORIZONTAL WOOD GRAIN



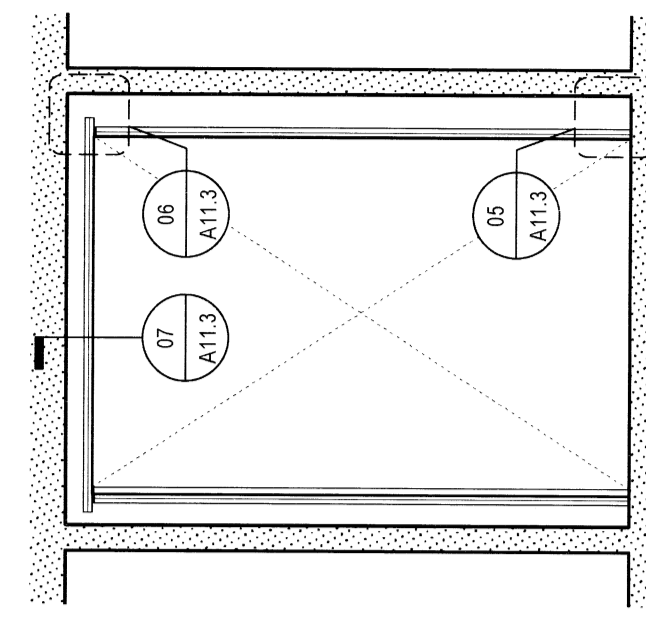
I. SECTION / ELEVATION



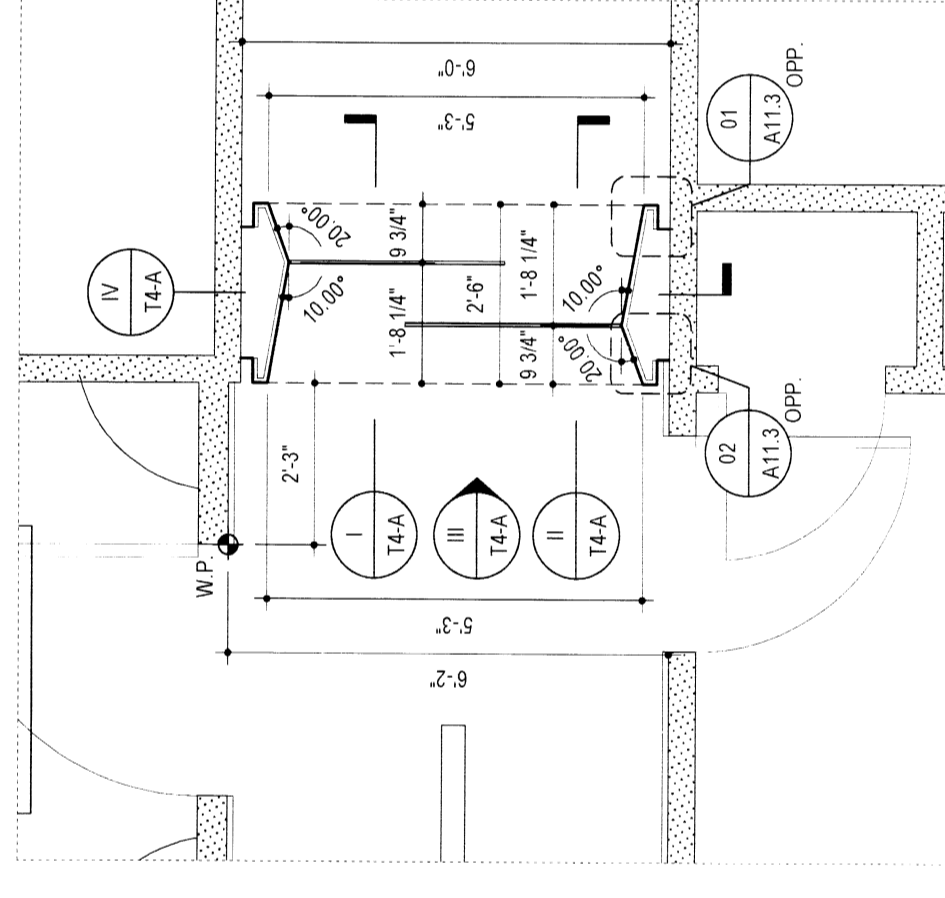
II. SECTION / ELEVATION



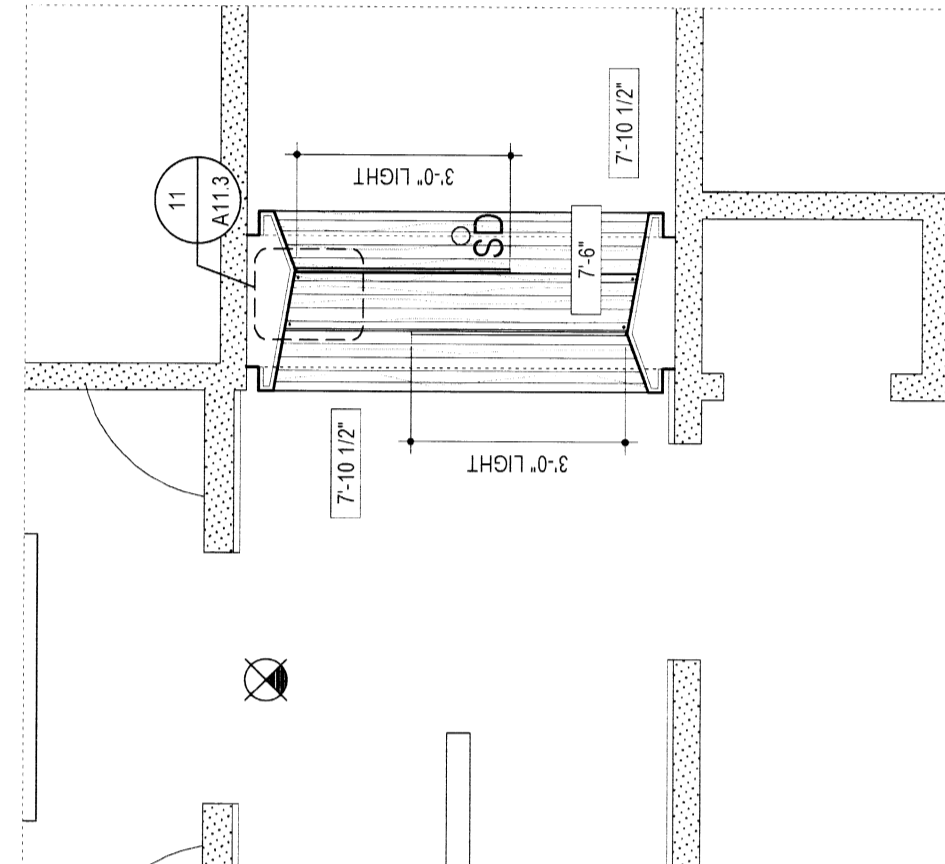
III. SECTION / ELEVATION



IV. ELEVATION

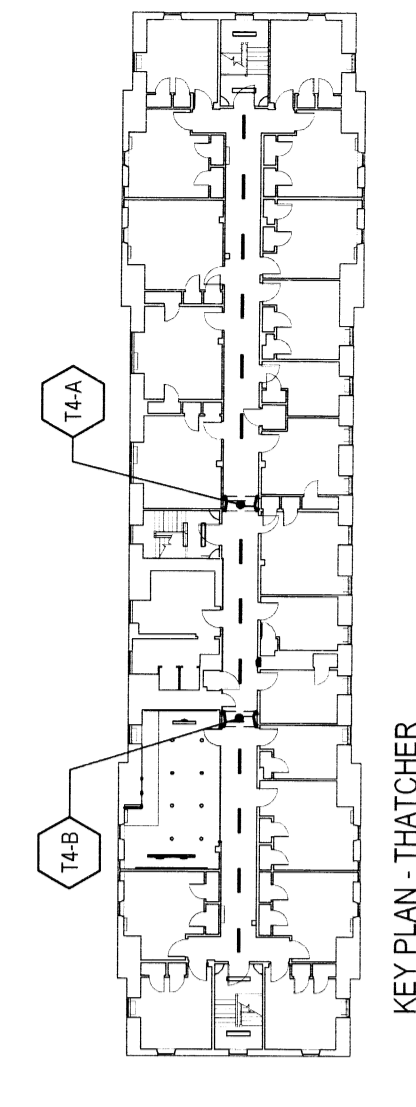


DETAIL PLAN



DETAIL RCP

PORTAL T4-A
SCALE = 3/8" = 1'-0"
01
AT 9.2E



KEY PLAN - THATCHER

12 DECEMBER 2011

REV. NO.	DESCRIPTION	BY	APPD	DATE

UNIVERSITY OF MASSACHUSETTS
FACILITIES PLANNING DIVISION
THATCHER HALL
FINISH UPGRADE 2012

BY	DATE	PROJECT NO.	CONTRACT NO.
DRN			
APPD			
CAD			

THATCHER PORTALS - FOURTH FLOOR

THATCHER
DRAWING NUMBER

AT 9.2E

