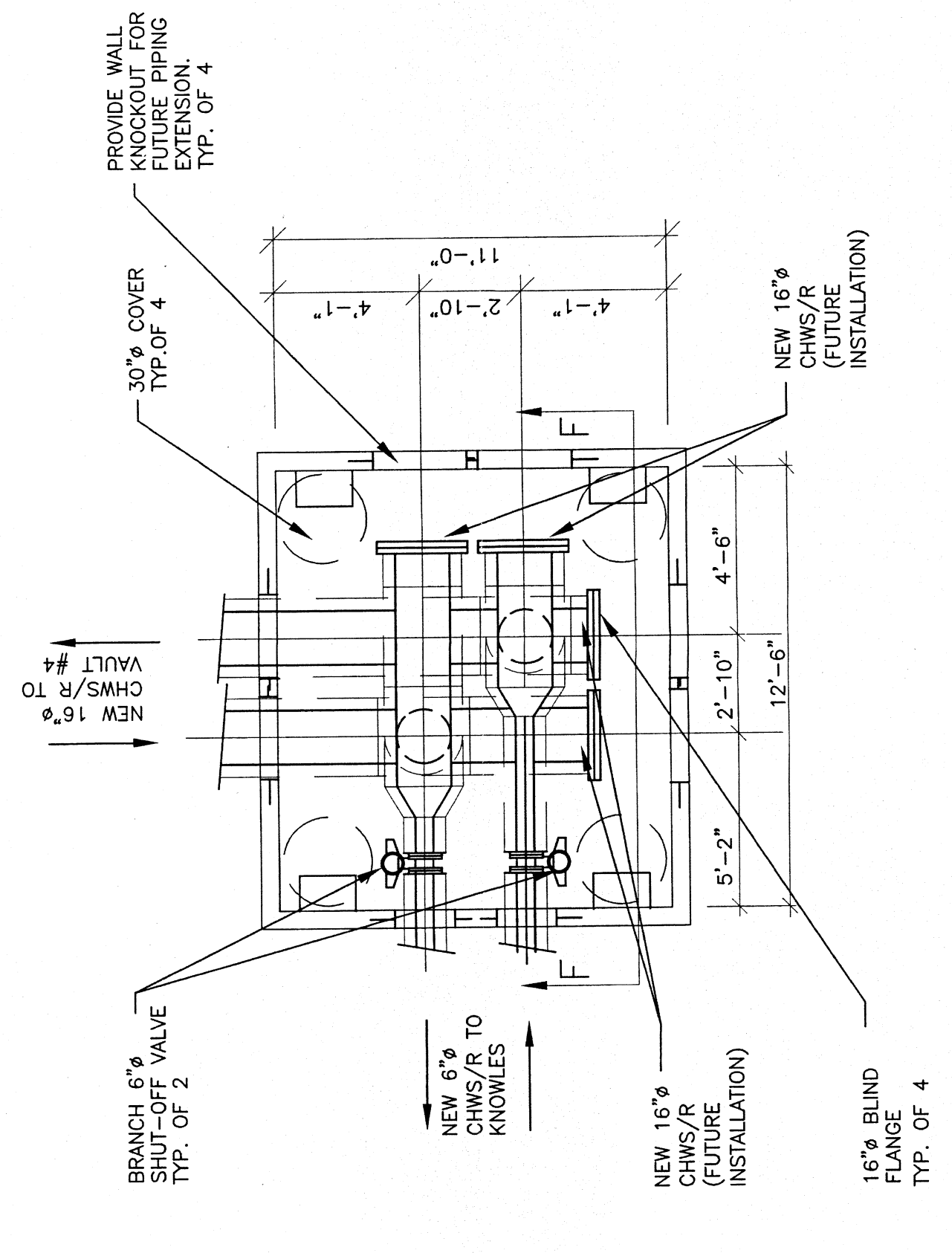
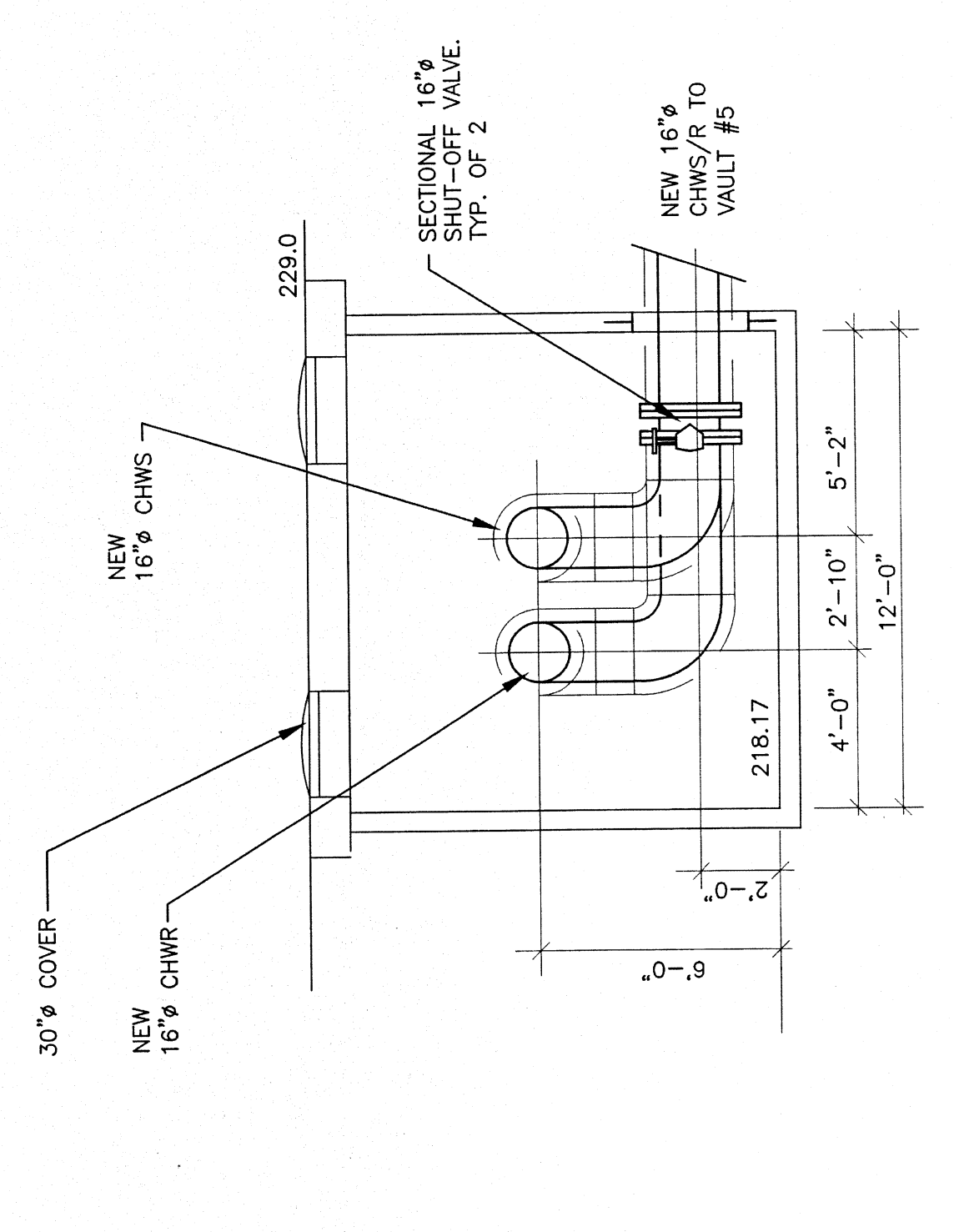


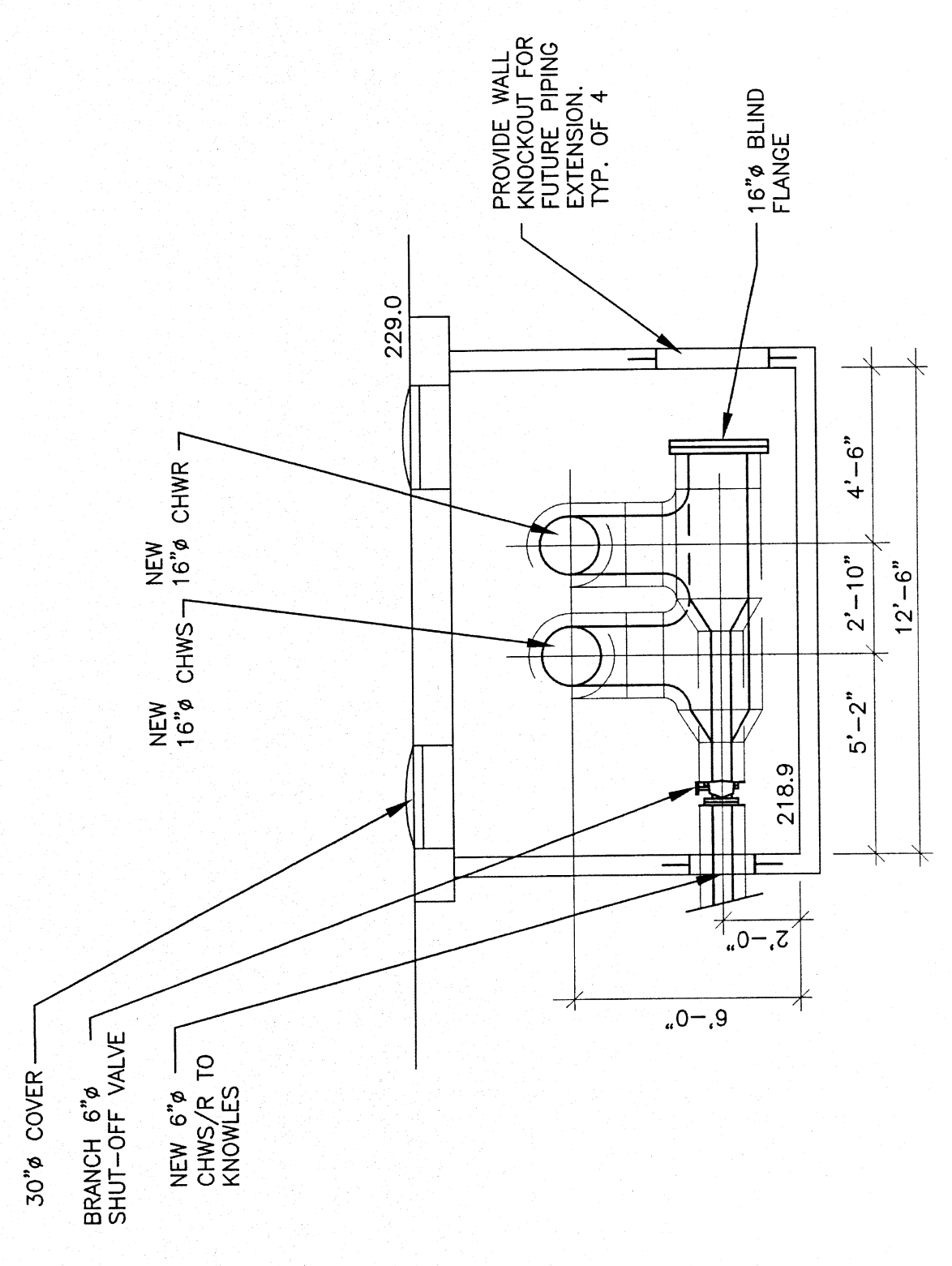
VAULT #4 PIPE SCHEMATIC PLAN
SCALE: 1/4"=1'-0"



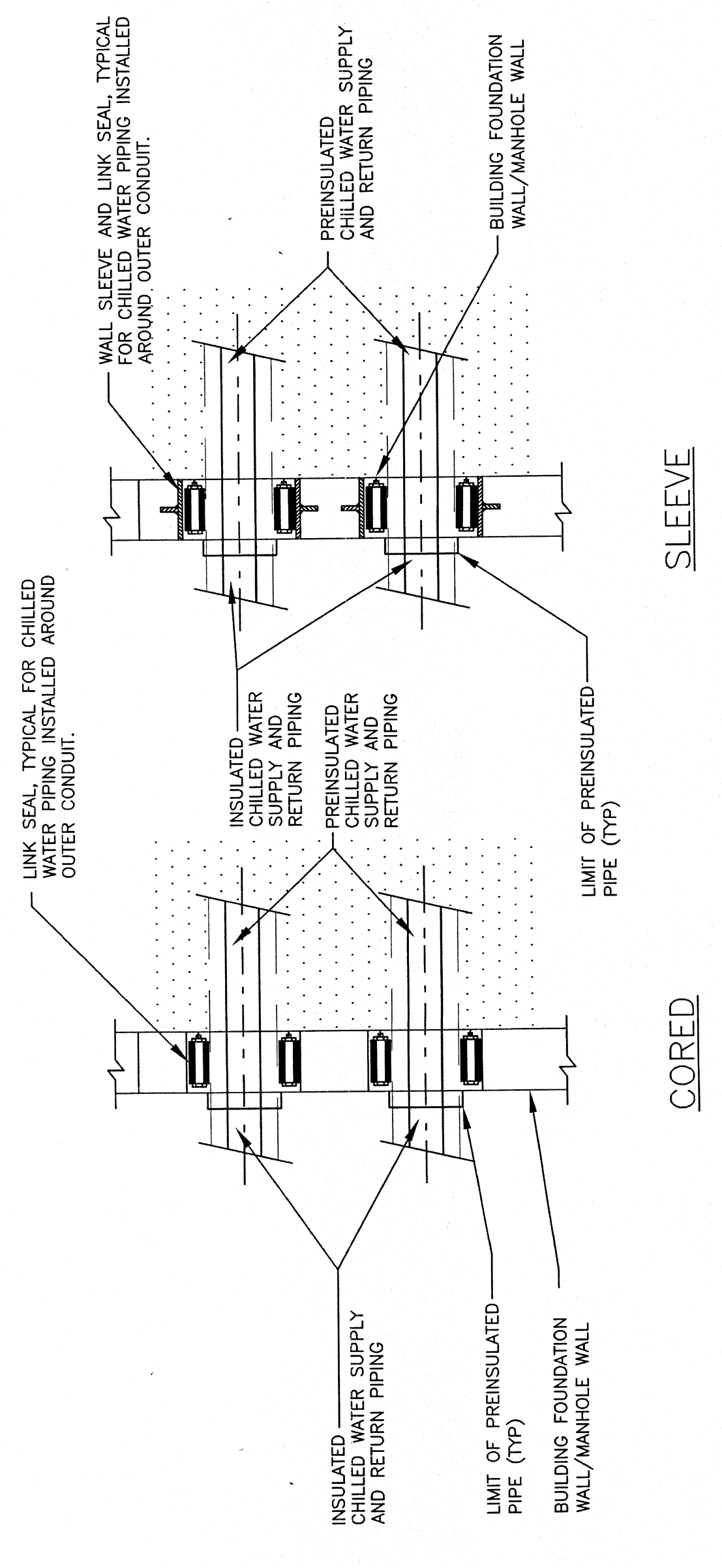
VAULT #5 PIPE SCHEMATIC PLAN
SCALE: 1/4"=1'-0"



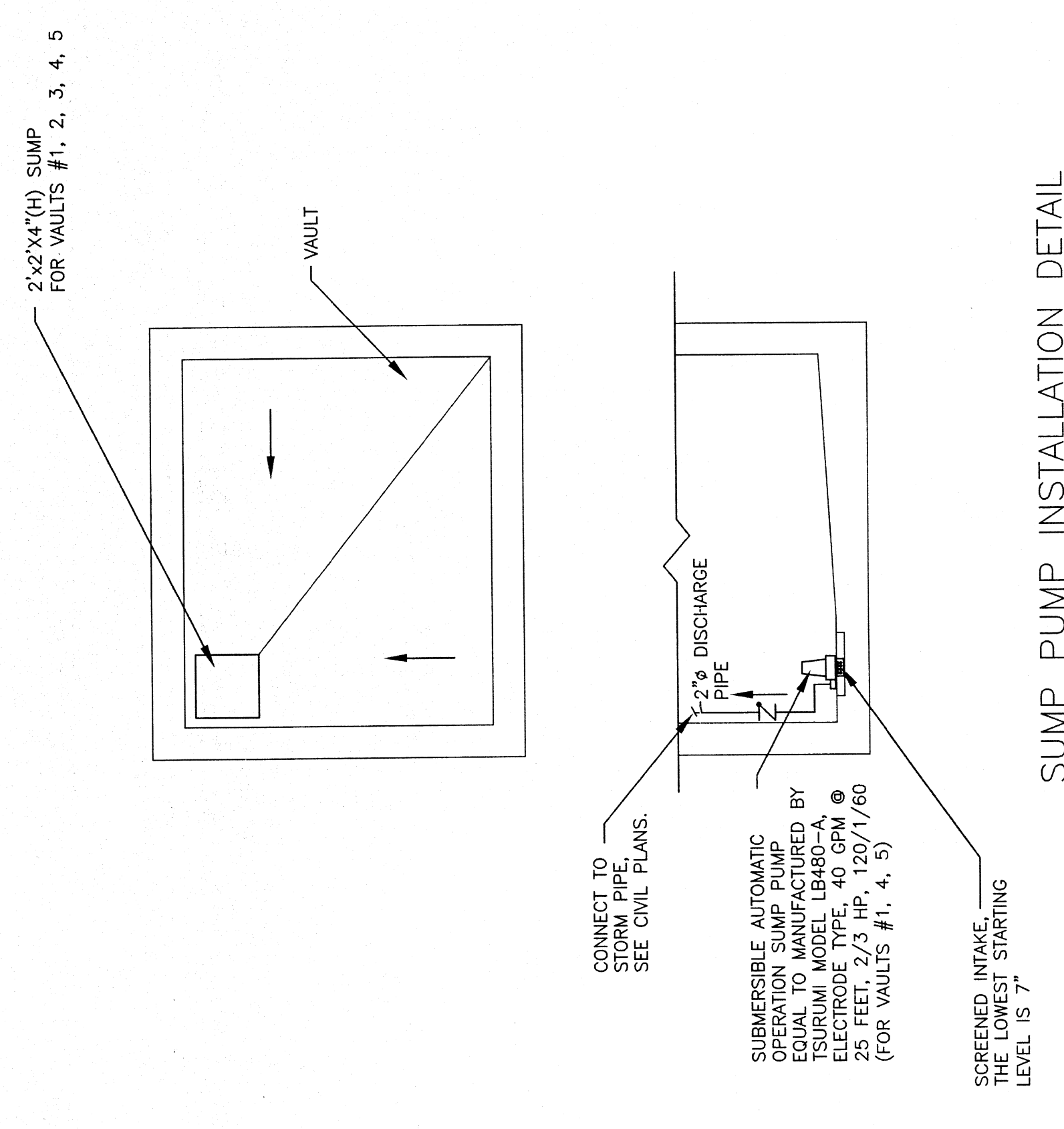
VAULT #4 SECTION D-D
SCALE: 1/4"=1'-0"



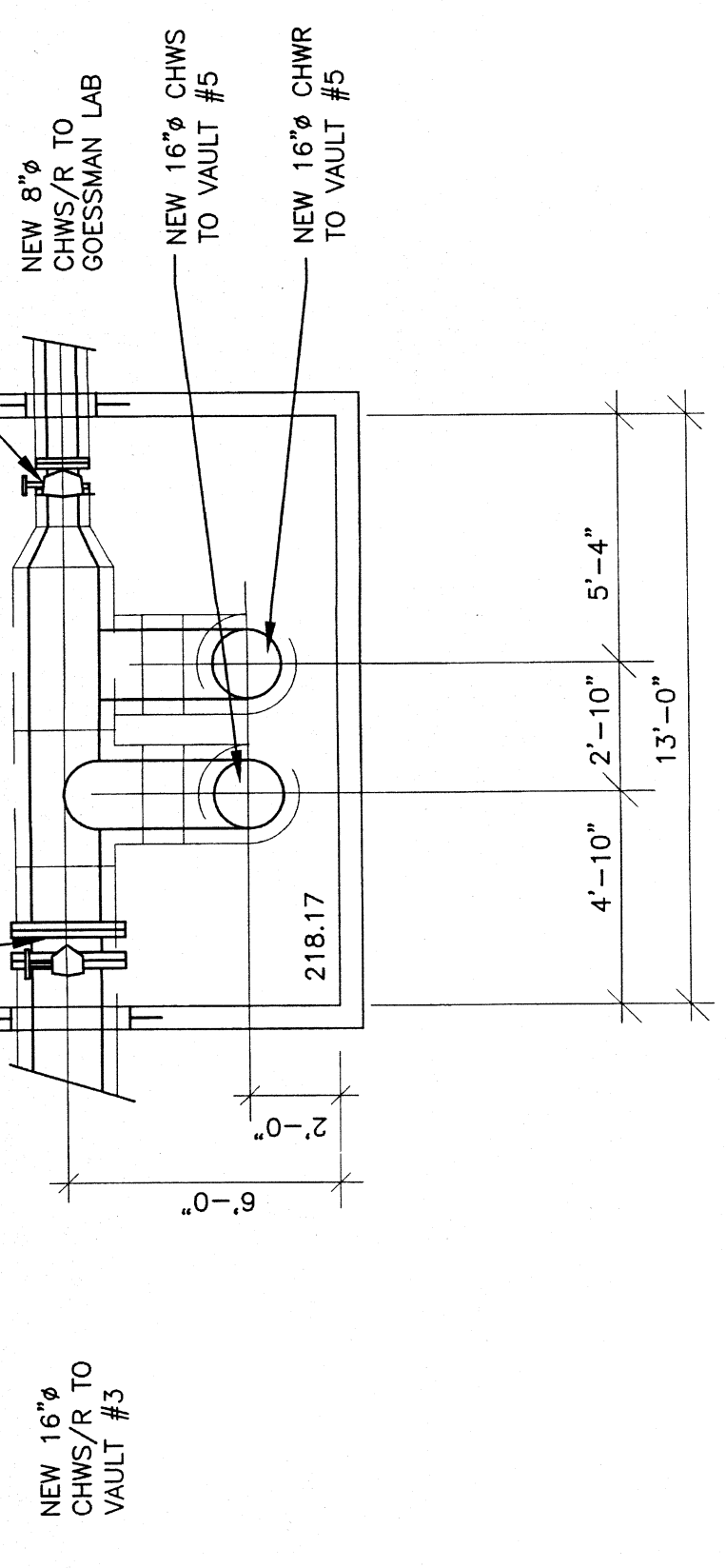
VAULT #5 SECTION F-F
SCALE: 1/4"=1'-0"



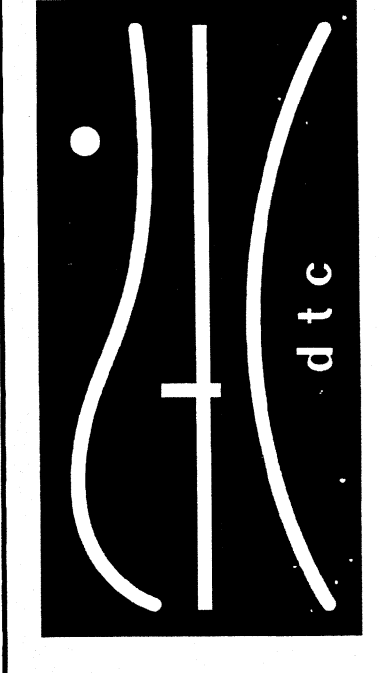
MANHOLE/FOUNDATION WALL PENETRATION DETAIL
N/S



SUMP PUMP INSTALLATION DETAIL
N/S



VAULT #4 SECTION E-E
SCALE: 1/4"=1'-0"



UNIVERSITY OF MASSACHUSETTS
FACILITIES PLANNING DIVISION

UTILITIES, NORTHWEST
CHILLED WATER LOOP PHASE I
MECHANICAL DETAILS

US	BY	APP'D	DATE
DRN	DATE	PROJECT NO.	CONTRACT NO.
APP'D	1/11/11	UMA-11-001-01	UMA-12-01
CNO	6/14/11	SCALE	AS NOTED
APP'D	6/14/11	DRAWING NUMBER	

