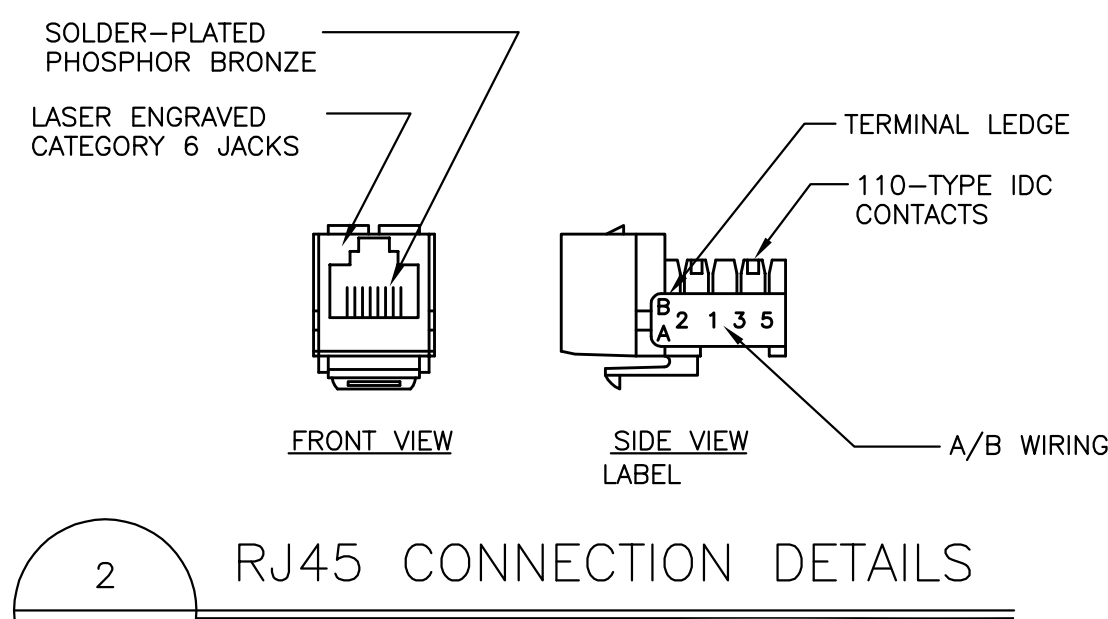
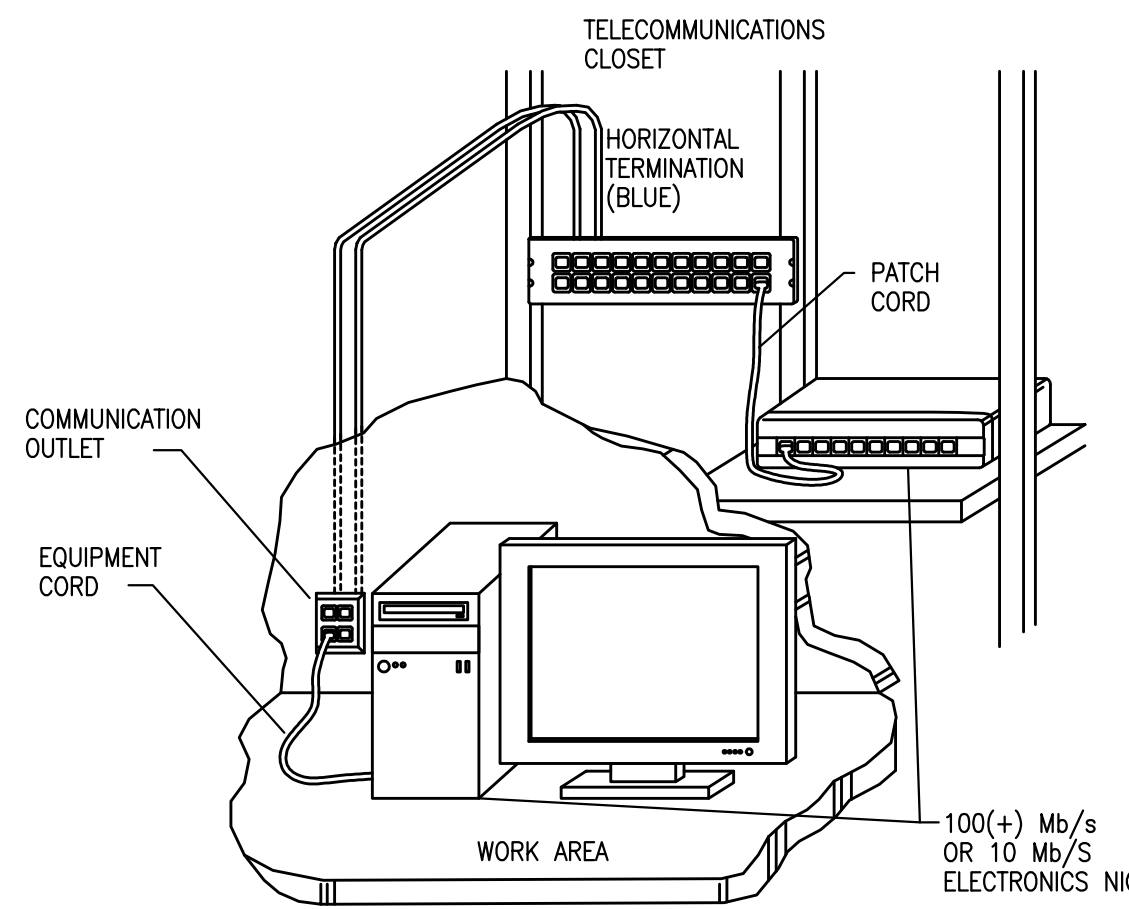


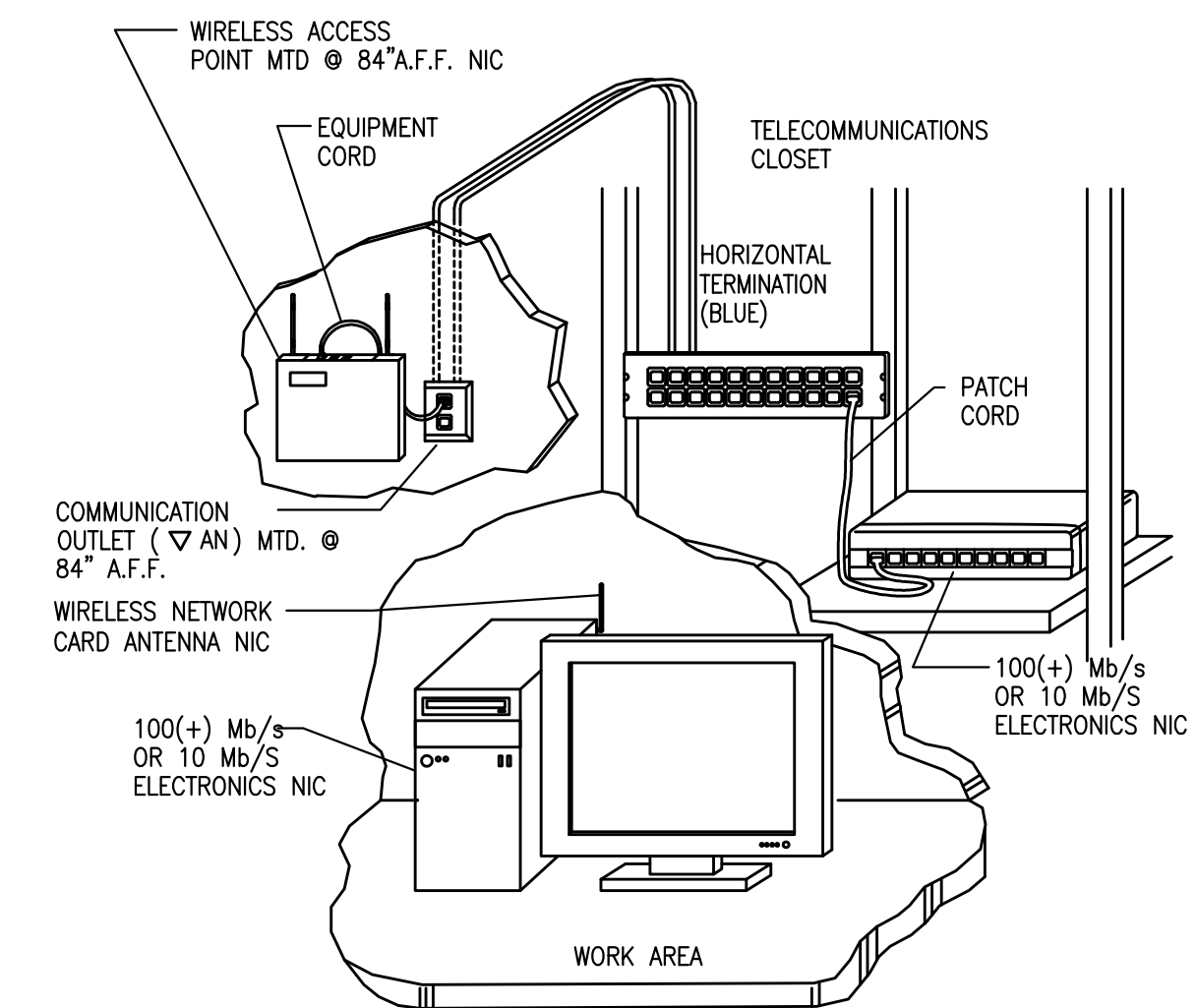
1 TYPICAL CROSS CONNECT
T3.001 NOT TO SCALE



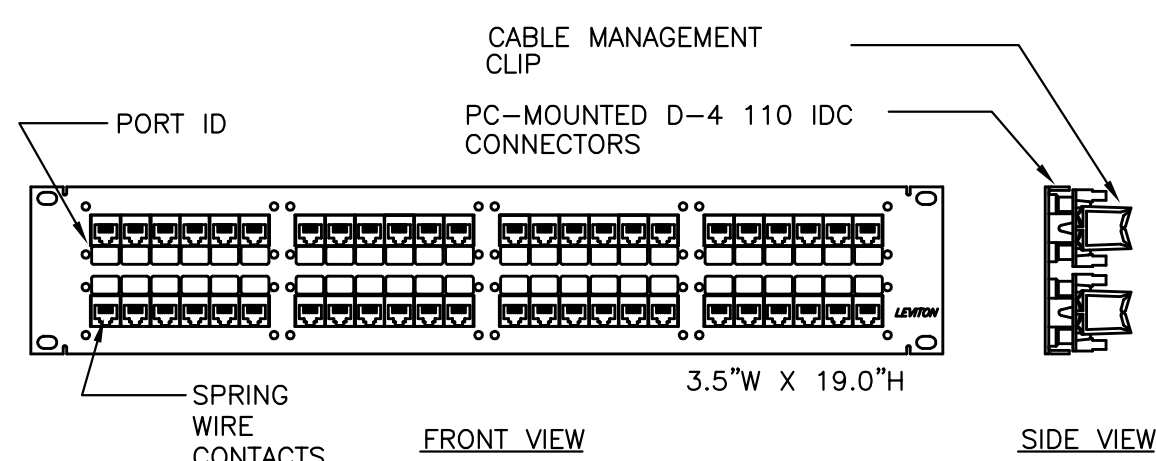
2 RJ45 CONNECTION DETAILS
T3.001 NOT TO SCALE



3 TYPICAL INTERCONNECTION ARCHITECTURE
T3.001 NOT TO SCALE

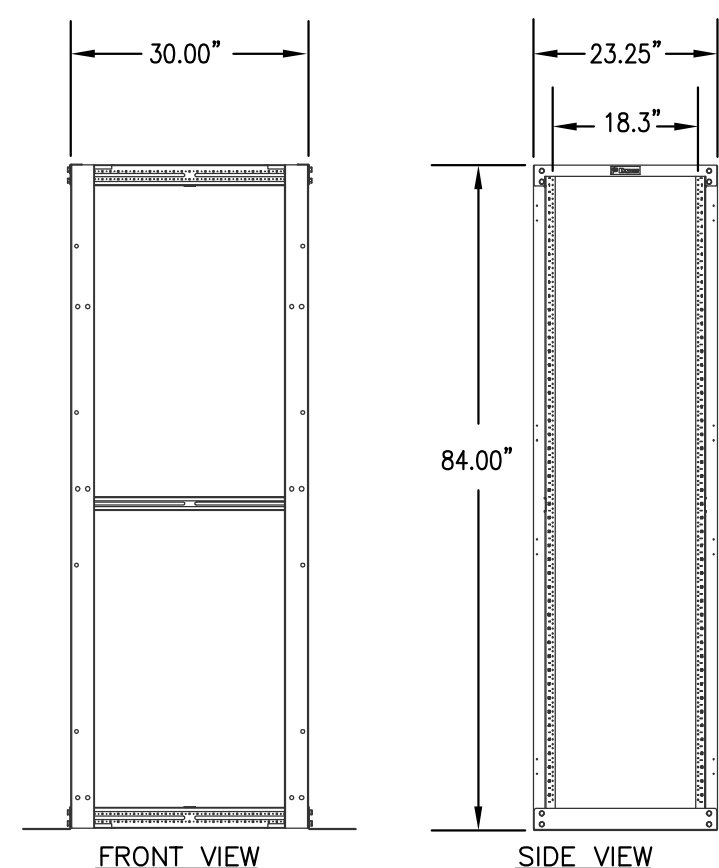


4 TYPICAL WIRELESS INTERCONNECTION ARCHITECTURE
T3.001 NOT TO SCALE



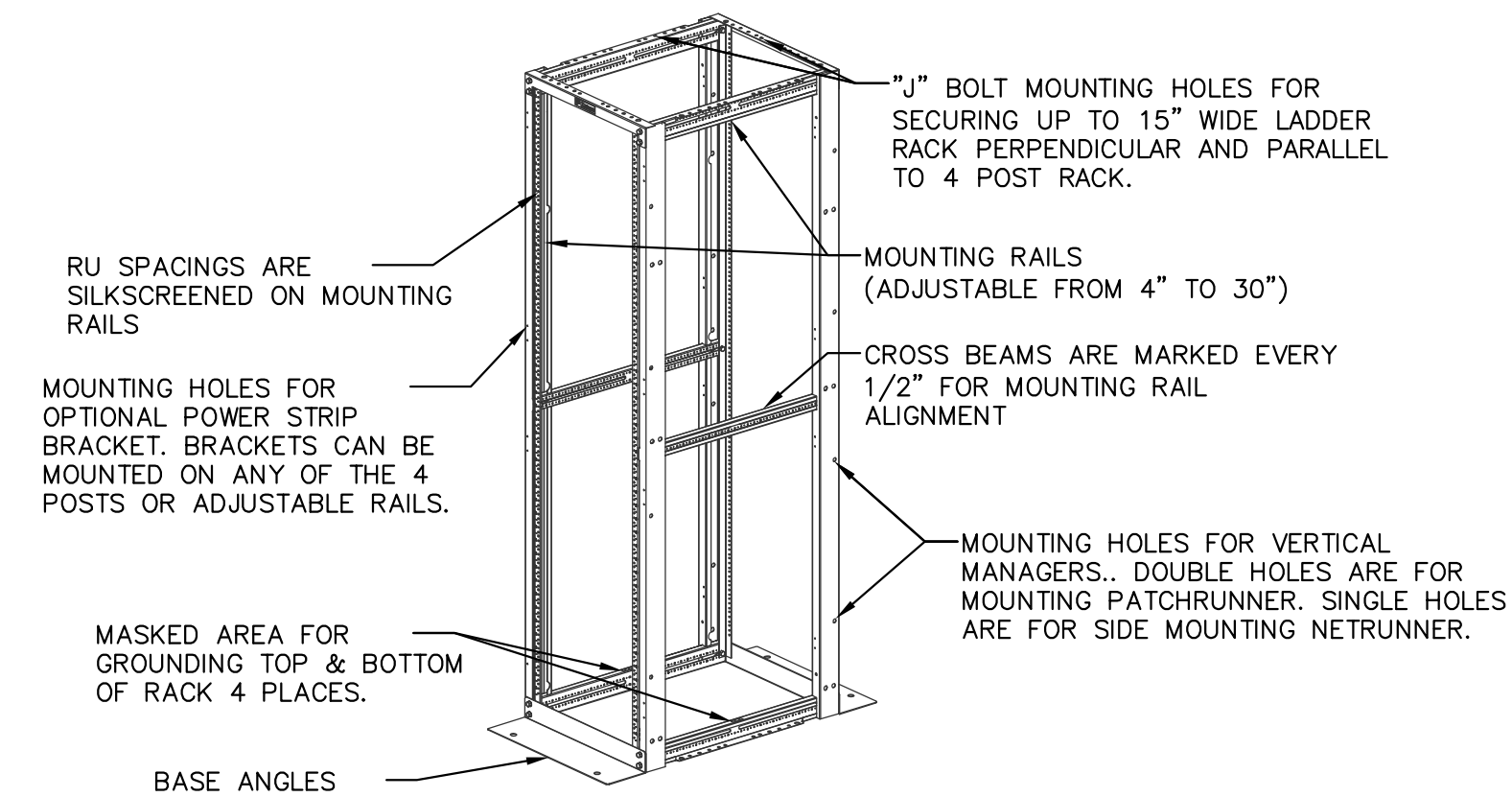
5 48 PORT CAT 6 110 PATCH PANEL
T3.001

NOTE
PANELS SHALL BE UL LISTED; MEET NATIONAL ELECTRICAL CODE REQUIREMENTS AND SPECIFICATIONS FOR UL 1863; AND FULLY COMPLY WITH FCC PART 68 AND TIA-568-A CATEGORY 6.

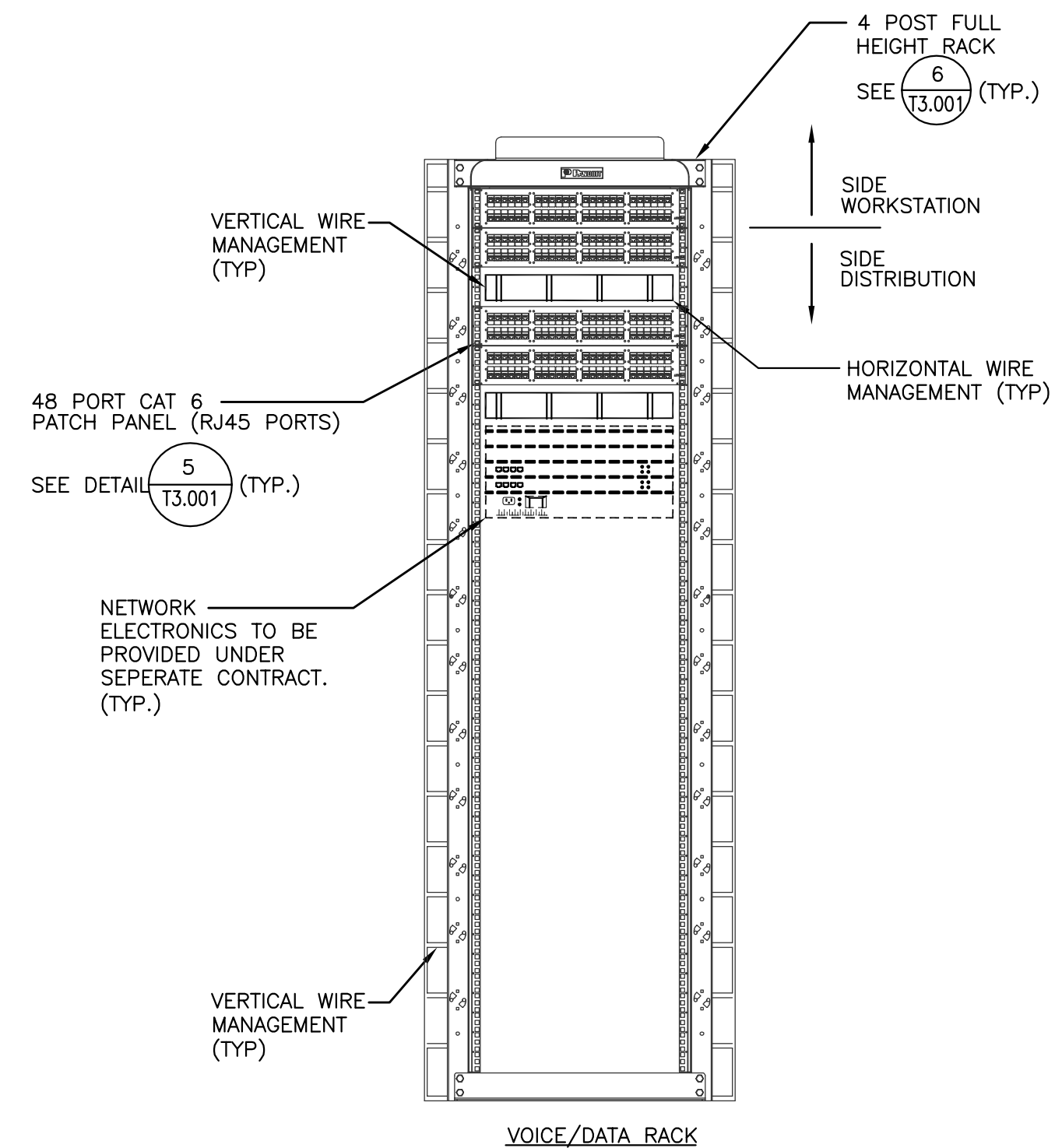


NOTES:

- CAN BE USED WITH ANY EIA STANDARD COMPONENT IN ADDITION TO ALL PANDUIT HORIZONTAL CABLE MANAGEMENT AND PATCH PANEL PRODUCTS.
- 45 AVAILABLE RACK SPACES.
- RU SPACING NUMBERS ARE CLEARLY PRINTER ON MOUNTING RAILS.
- EASY ASSEMBLY, ONE WRENCH NEEDED TO INSTALL BOLTS INTO WELDNUTS IN ALL 8 CORNERS.
- FULLY BONDED STRUCTURE WHEN ASSEMBLED PER INSTRUCTIONS.
- LOAD RATING - 2000 LBS.



6 4 POST RACK
T3.001 NOT TO SCALE



7 MDF DETAIL
T3.001 NOT TO SCALE

QUANTITY OF DEVICES
MDF

	DATA	VOICE	CATV	VERIZON
▽ = 7	7	7	-	-
1V/2D = 12	24	12	-	-
▽ = 1	2	1	1	-
AN = 6	12	-	-	-
2 = 10	20	-	-	-
▽ = 5	-	-	-	5
W = 9	-	9	-	-
[TVB] = 2	-	-	2	-
[TVC] = 7	7	-	7	-
[TVE] = 1	1	-	-	-
TOTAL	73	29	10	5

MAIN DISTRIBUTION FRAME MDF
LOCATION: IT 111

CAT 6 (RJ45) VOICE PORT			CAT 6 (RJ45) DATA PORTS		
USED	SPARE	PATCH PANEL SIZE	USED	SPARE	PATCH PANEL SIZE
29	19	DISTRIBUTION WORKSTATION (1) 48 PORT (1) 48 PORT	73	23	(2) 48 PORT



TectonArchitects inc

HARTFORD CONNECTICUT
860 548 0802
tectonarchitects.com

Notice:
This drawing is the property of Tecton Architects | Inc. The use, re-use or reproduction of this drawing for any purpose whatsoever without an expressed written agreement between Tecton Architects | Inc and the user is prohibited. Rights to use the information on this sheet are not transferred until payment has been received for services rendered. Any rights so granted are non-transferable to other parties without the prior expressed written consent of Tecton Architects | Inc

© 2010 Tecton Architects | Inc



GARCIA-GALUSKA-DESOUZA
CONSULTING ENGINEERS, INC
370 Faunce Corner Road, Dartmouth, MA 02747-1271
508-999-5700 • FAX 508-999-0883 • E-MAIL info@g-g-e.com

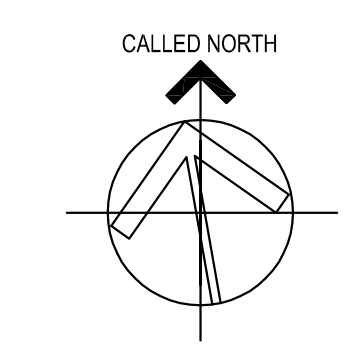
Owner
TOWN OF WILBRAHAM

240 SPRINGFIELD STREET
WILBRAHAM, MA

Project
Wilbraham Fire Station

2770 Boston Road
Wilbraham, MA

Key Plan



Seals
BID SET

Issues	Date	Description

Revisions	No.	Date	Description

Drawing Title

TECHNOLOGY
DETAILS
(ALTERNATE #2)

Issue Date: 01/19/12

Project No: TA-01-01 Scale: 1/8" = 1'-0"

Project Manager: JM Production Leader:

Project Architect: JB Peer Reviewer:

Drawing Number

T3.001